

The HM9 is designed to retrofit roof truss/rafters for block construction. The HM9 hurricane tie provides high uplift and lateral capacity using Simpson concrete fasteners.

The presloped 5:12 seat of the H16 provides for a tight fit and reduced deflection. The strap length provides for various truss height up to a maximum of 13½". Minimum heel height for H16 series is 4".

MATERIAL: See table.

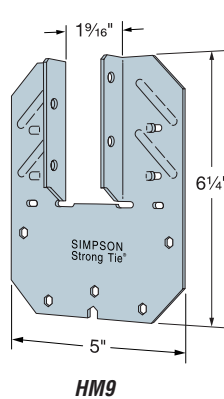
FINISH: Galvanized; see Corrosion-Resistance, page 5.

INSTALLATION: • Use all specified fasteners.

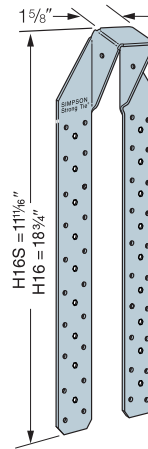
See General Notes.

- HGAM10 can be installed into grouted concrete block. Screws are provided.
- Hurricane Ties do not replace solid blocking.
- **Attach to grouted concrete block with a minimum one #5 rebar horizontal in the top lintel block.**

CODES: See page 10 for Code Listing Key Chart.

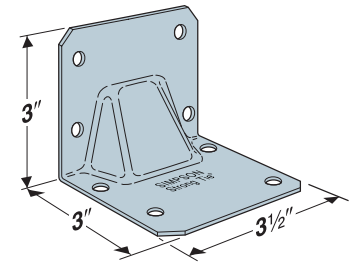


HM9



H16
(H16-2 similar)

Presloped at 5:12. Pitch of 3:12 to 7:12 is acceptable



HGAM10

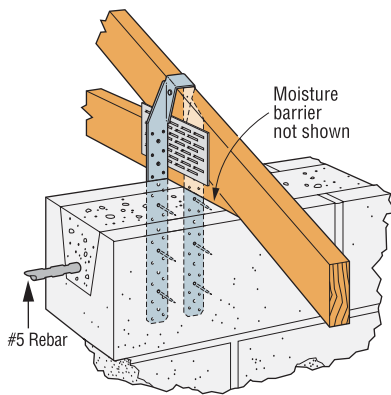
Model No.	Ga	W	L	Fasteners			Uplift Avg Ult	Doug-Fir Larch/So. Pine Allowable Loads ^{1,2}				Spruce-Pine-Fir Allowable Loads ^{1,2}				Code Ref
				To Rafters/Truss	To CMU	To Concrete		Uplift ⁴		Lateral (133/160)		Uplift ⁴		Lateral (133/160)		
								(133)	(160)	F ₁	F ₂	(133)	(160)	F ₁	F ₂	
HM9KT ³	18	1 1/16	6 1/4	4-SDS 1/4x1 1/2	5-1/4 x 2 1/4 Titen	5-1/4 x 1 3/4 Titen	1987	595	595	425	200	595	595	425	200	125
HGAM10KTA ^{3,4}	14	—	—	4-SDS 1/4x1 1/2	4-1/4 x 2 3/4 Titen	4-1/4 x 1 3/4 Titen	2625	850	850	1005	1105	850	850	870	815	
H16	18	1 5/8	18 3/4	2-10dx1 1/2	6-1/4 x 2 1/4 Titen	6-1/4 x 1 3/4 Titen	4582	1470	1470	—	—	1265	1265	—	—	
H16S	18	1 5/8	11 1/16	2-10dx1 1/2	6-1/4 x 2 1/4 Titen	6-1/4 x 1 3/4 Titen	4582	1470	1470	—	—	1265	1265	—	—	
H16-2	18	3 1/4	18 3/4	2-10dx1 1/2	6-1/4 x 2 1/4 Titen	6-1/4 x 1 3/4 Titen	4582	1470	1470	—	—	1265	1265	—	—	
H16-2S	18	3 1/4	11 1/16	2-10dx1 1/2	6-1/4 x 2 1/4 Titen	6-1/4 x 1 3/4 Titen	4582	1470	1470	—	—	1265	1265	—	—	

1. Loads have been increased 33% and 60% for earthquake or wind loading with no further increase allowed; reduce where other loads govern.

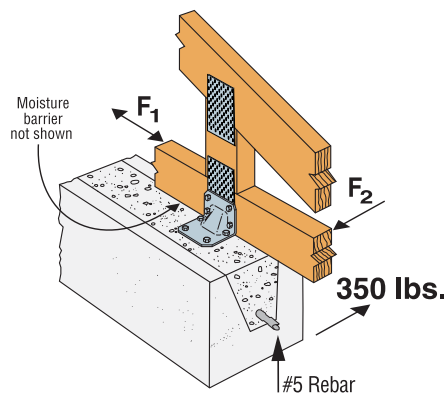
2. Allowable loads are for one anchor. A minimum rafter thickness of 2 1/2" must be used when framing anchors are installed on each side of the joist and on the same side of the plate.

3. The HM9KT and HGAM10KTA come with SDS and Titen screws.

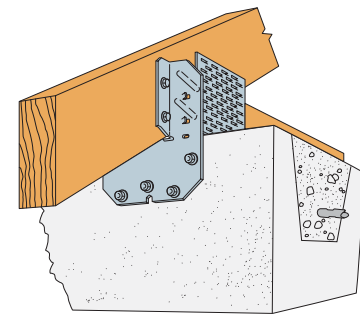
4. Minimum edge distance 1 1/2" using Titen screws.



1 H16S Installed into Masonry



2 HGAM10 Installed into Masonry



3 HM9 Attaching Truss to Masonry