

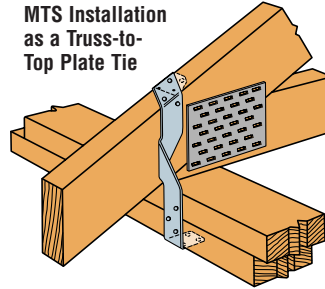
Twist straps provide a tension connection between two wood members. They resist uplift at the heel of a truss economically. The 3" bend section eliminates interference at the transition points between wood members.

MATERIAL: LTS-18 gauge; MTS-16 gauge; HTS-14 gauge

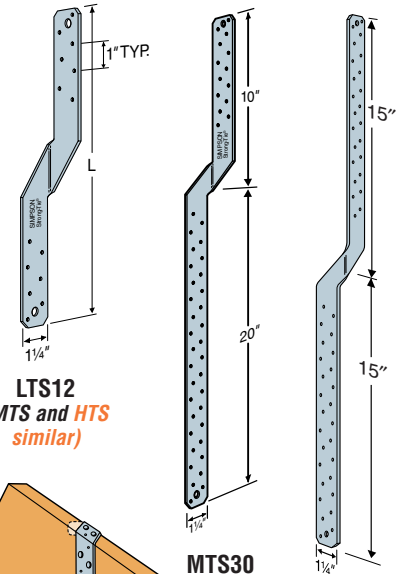
FINISH: Galvanized. Some products available in stainless steel and Z-MAX; see Corrosion-Resistance, page 5.

INSTALLATION: Use all specified fasteners. See General Notes.

CODES: See page 10 for Code Listing Key Chart.



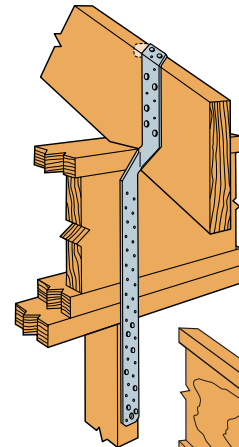
MTS Installation as a Truss-to-Top Plate Tie



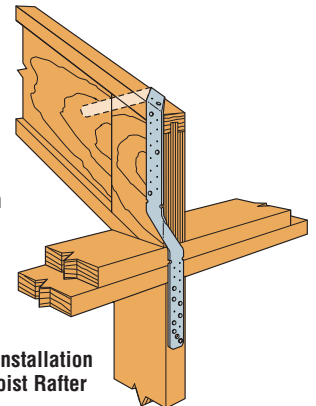
LTS12
(MTS and HTS similar)

MTS30
(HTS30 similar)

MTS30C
(HTS30C similar)



Typical MTS30 Installation



MTS30 Installation with I-joist Rafter

Available with additional corrosion protection. Check with factory.

Model No.	L	Fasteners ²		Avg Ult	Doug-Fir-Larch/So Pine Allowable Uplift Loads ³			Spruce-Pine-Fir Allowable Uplift Loads			Code Ref.
		10d	10dx1½"		10d	10dx1½"	10d	10dx1½"	10d	10dx1½"	
LTS12	12	12-10d	12-10dx1½	2383	775	720	720	665	620	620	3, 39, 104, 121, 140
LTS16	16	12-10d	12-10dx1½	2383	775	720	720	665	620	620	
LTS18	18	12-10d	12-10dx1½	2383	775	720	720	665	620	620	
LTS20	20	12-10d	12-10dx1½	2383	775	720	720	665	620	620	3, 39, 104, 121
MTS12	12	14-10d	14-10dx1½	3116	1000	840	1000	860	730	860	
MTS16	16	14-10d	14-10dx1½	3116	1000	840	1000	860	730	860	
MTS18	18	14-10d	14-10dx1½	3116	1000	840	1000	860	730	860	125
MTS20	20	14-10d	14-10dx1½	3116	1000	840	1000	860	730	860	
MTS30	30	14-10d	—	3092	995	—	—	720	—	—	
MTS24C	24	14-10d	14-10dx1½	3116	1000	840	1000	860	730	860	62, 123, 140
MTS30C	30	14-10d	14-10dx1½	3116	1000	840	1000	860	730	860	
HTS16	16	16-10d	16-10dx1½	4430	1260	1005	1150	1085	865	990	
HTS20	20	20-10d	24-10dx1½	4430	1450	1450	1450	1245	1245	1245	
HTS24	24	20-10d	24-10dx1½	4430	1450	1450	1450	1245	1245	1245	
HTS28	28	20-10d	24-10dx1½	4430	1450	1450	1450	1245	1245	1245	
HTS30	30	20-10d	24-10dx1½	4430	1450	1450	1450	1245	1245	1245	
HTS30C	30	20-10d	24-10dx1½	4430	1450	1450	1450	1245	1245	1245	

- LTS12 thru LTS20, MTS16 through MTS30, HTS24 through HTS30C (except HTS30) have additional nail holes.
- Install half of the fasteners on each end of strap to achieve full loads.
- Loads have been increased 33% and 60% for earthquake or wind loading; no further increase allowed; reduce where other loads govern.

- All straps except the MTS30 and HTS30 have the twist in the center of the strap.
- Twist straps do not have to be wrapped over the truss to achieve the load.
- May be installed on the inside face of the stud.