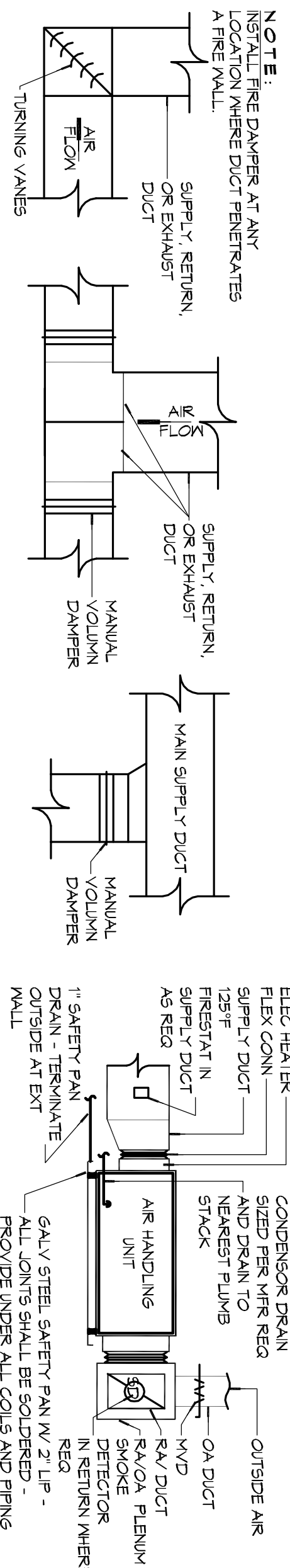
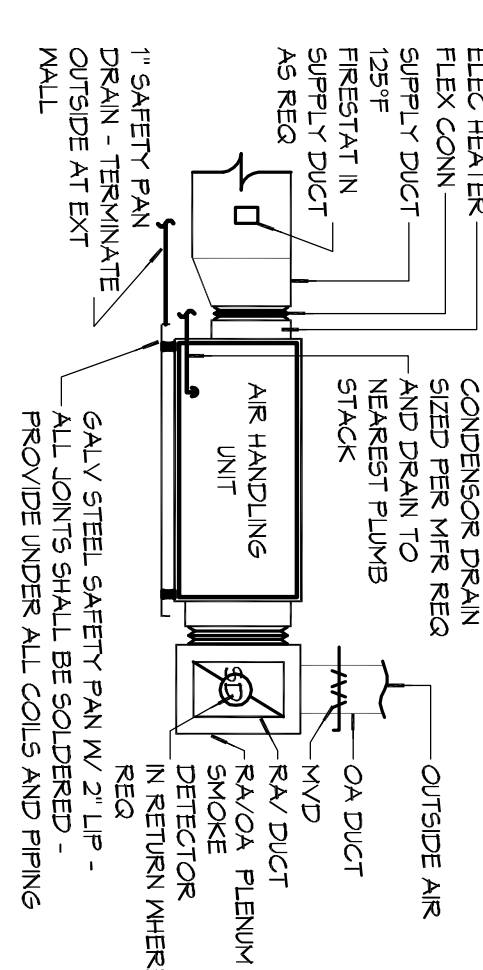


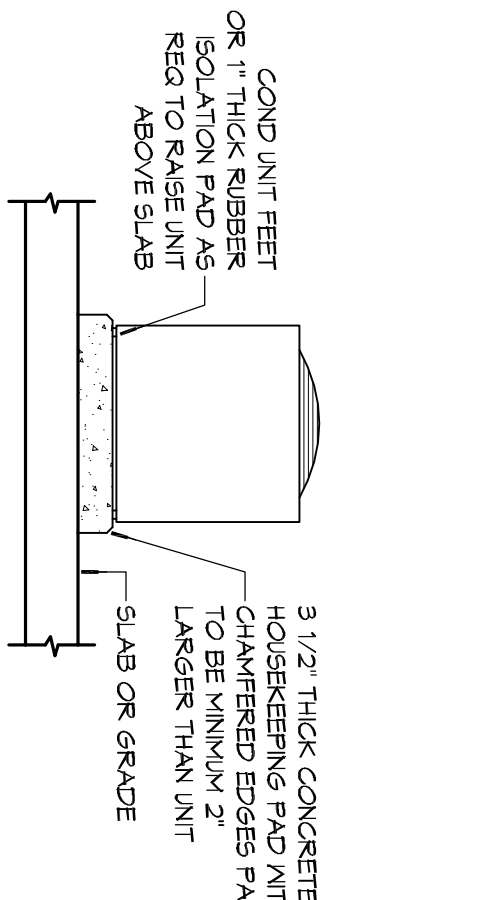
NOTES: 1) DRAW UP ON THE INTERIOR FLEXIBLE DUCT HELIX. 2) PROVIDE MINIMUM 4\"/>



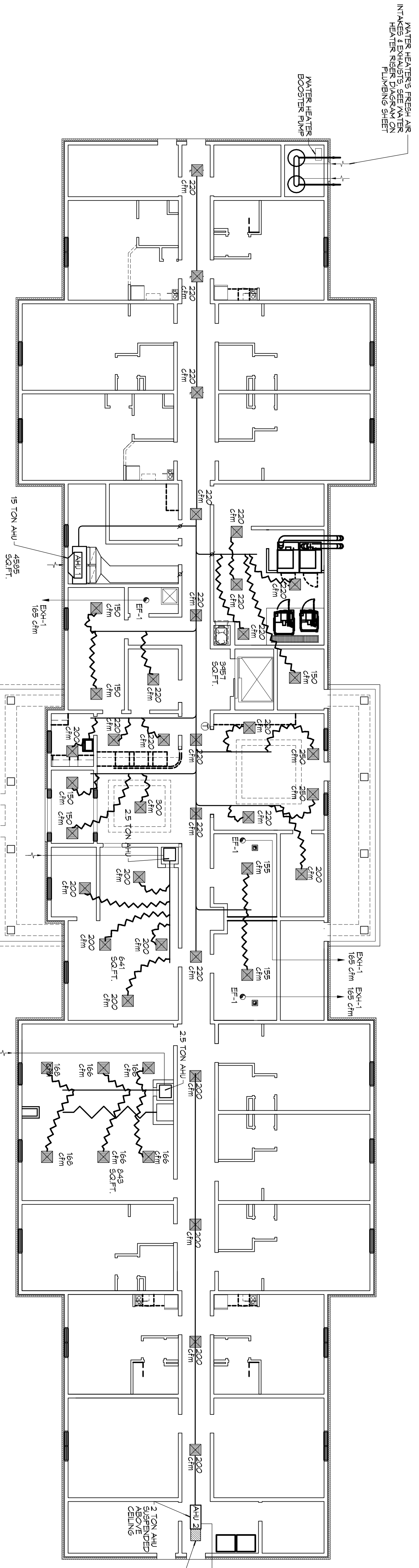
3 TYPICAL HARD DUCT DETAILS  
SCALE: N.T.S.



4 TYPICAL AHU #2 DETAIL  
SCALE: N.T.S.

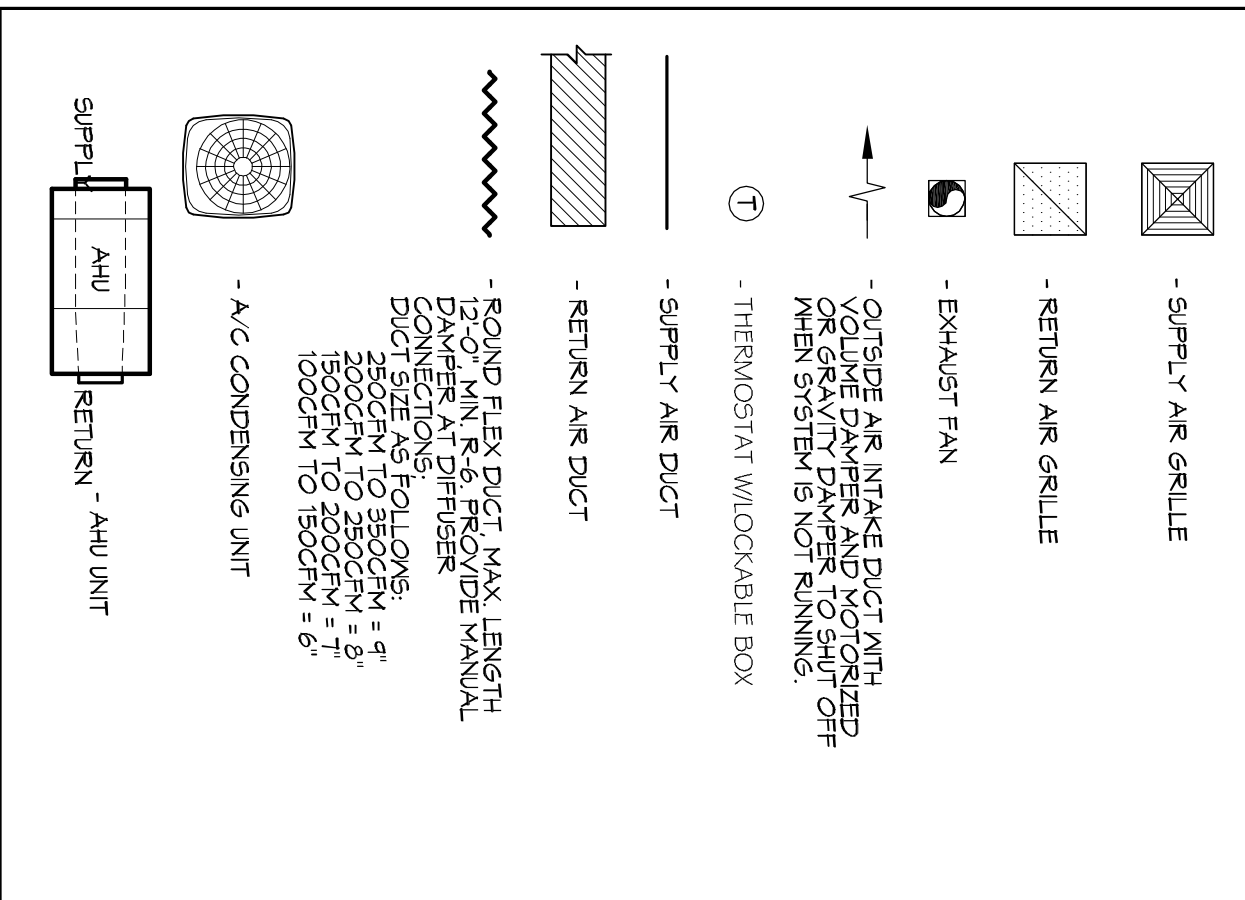


5 TYPICAL A/C CONDENSER DETAIL  
SCALE: N.T.S.



MECHANICAL PLAN - LEVEL 1  
SCALE: 3/32\"/>

LEGEND



NOTE: PROVIDE THROUGH WALL PVC UNITS IN ALL GABLE ROOFS. FLOORING SHALL BE 3\"/>

**DAMMON ENGINEERING, INC.**  
LOUISIANA & MISSISSIPPI

Chief Engineer: Brian Mstsch, PE  
554 Old Spanish Trail  
Slidell, LA 70458

www.dammonengineering.com  
info@dammonengineering.com  
PH: 985.649.5832 F: 985.641.5950

REVISIONS		DATE
#	DESCRIPTION	

**MAINSTAY SUITES**

LOT #1 LA HWY 21  
HACKBERRY, LA 70645

JOB No: 2265 DATE: JANUARY, 2016  
DRAWN BY: CKD CHECKED BY: CKD

MECHANICAL PLAN - LEVEL 1

**M101**

DRAWING NUMBER:  
SHEET No: 23 of -