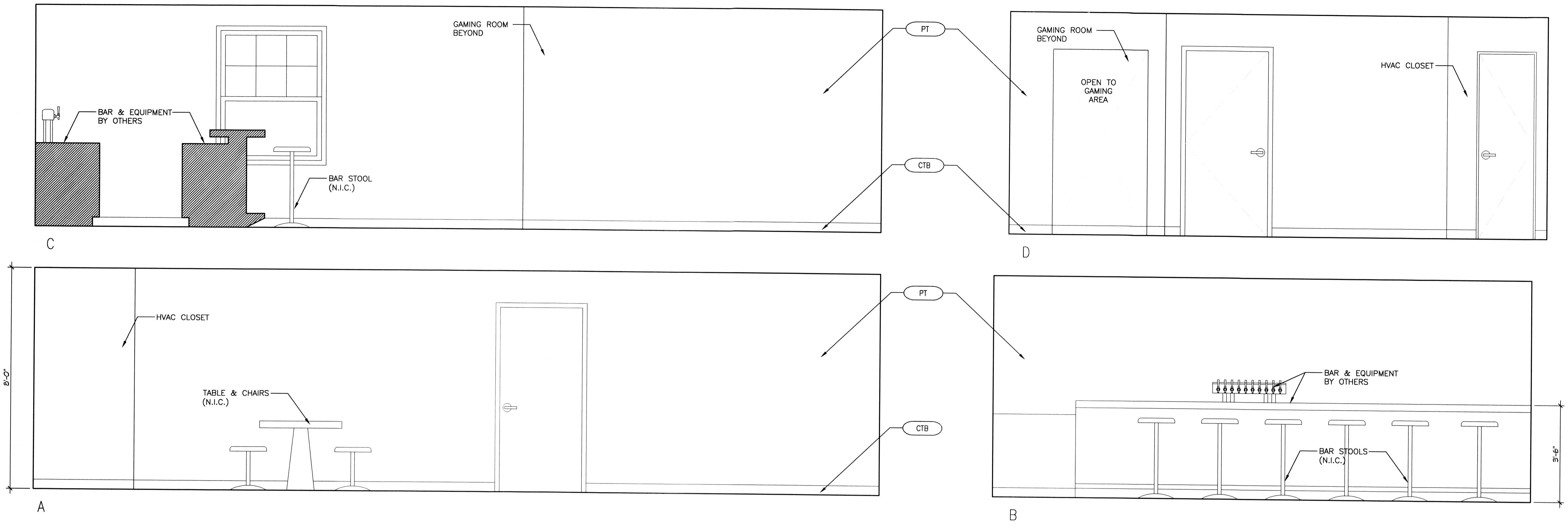


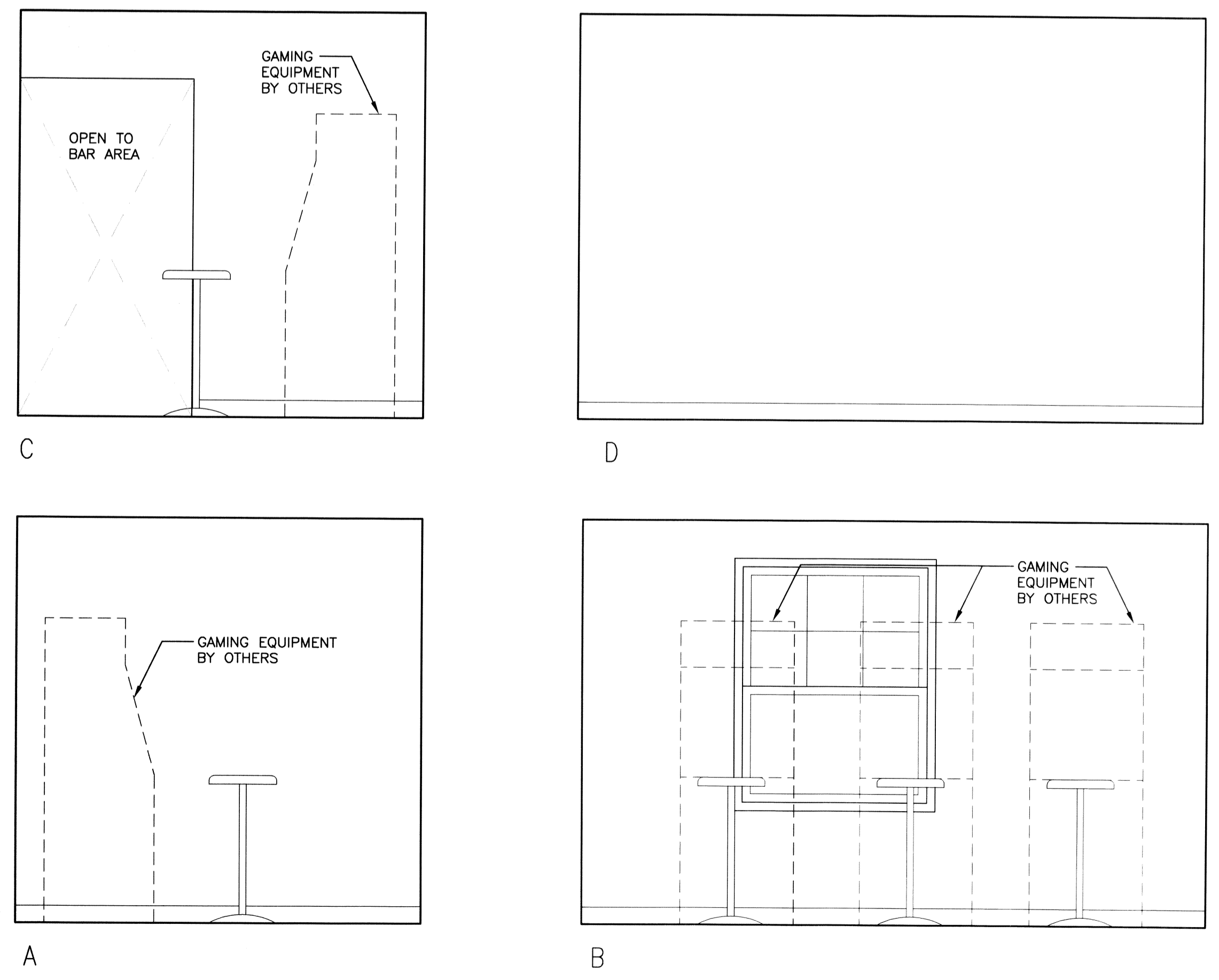
D.E. WALKER, AIA - 10000 Main Street, Metairie, LA 70002 - 504-885-1111 - www.dammomonengineering.com
 524 Old Spanish Trail, Metairie, LA 70002 - 504-885-1111 - www.dammomonengineering.com



3 INTERIOR ELEVATIONS
SCALE: 1/2"=1'-0"

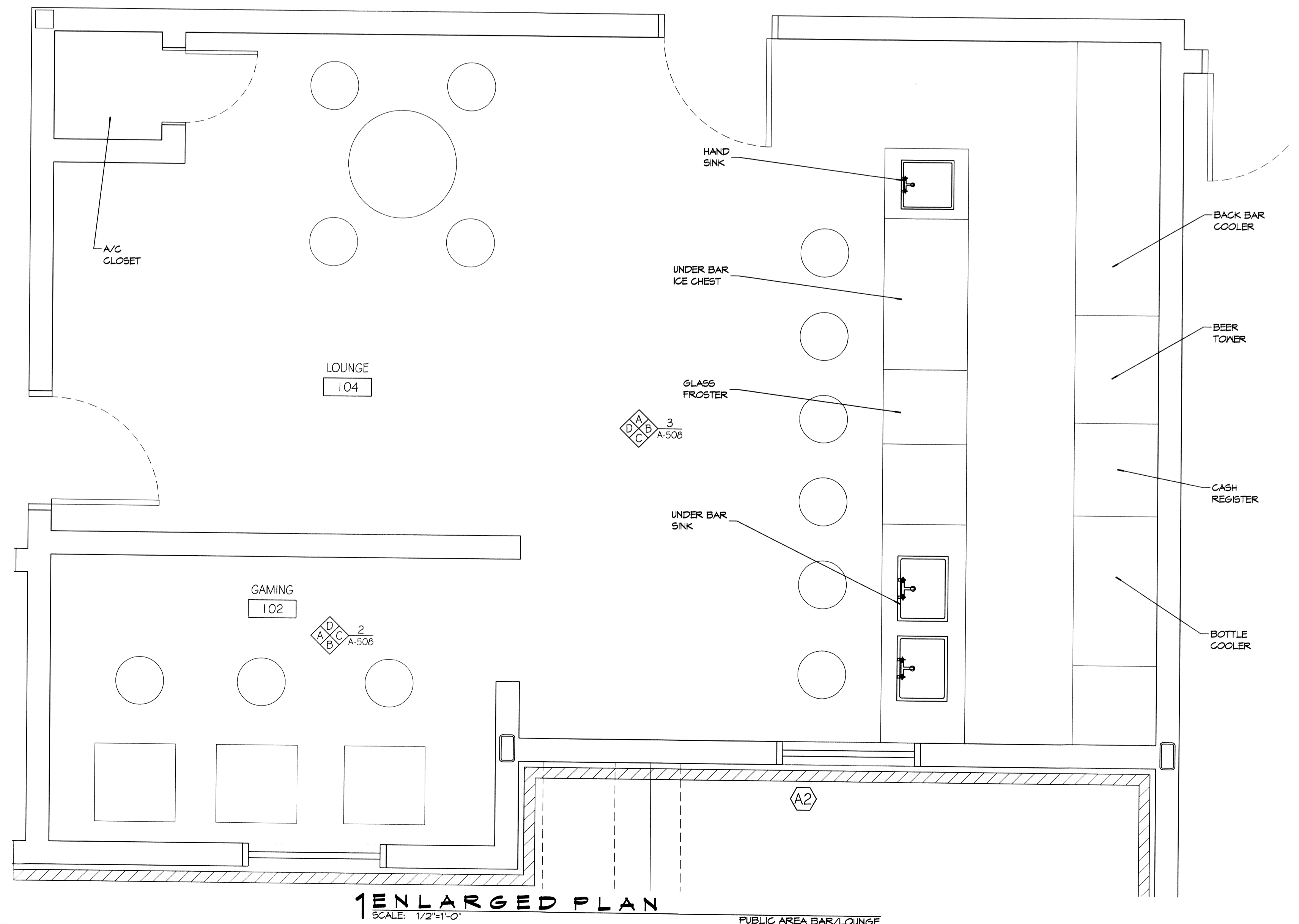
BAR/LOUNGE

NOTE: SEE MAINSTAY SUITES PROTOTYPE DRAWINGS & SPECIFICATIONS FOR FINISH SCHEDULES & LEGENDS FOR EQUIPMENT & MATERIAL CONTROL NO.S



2 INTERIOR ELEVATIONS
SCALE: 1/2"=1'-0"

GAMING ROOM



1 ENLARGED PLAN
SCALE: 1/2"=1'-0"

PUBLIC AREA BAR/LOUNGE

DAMMON
ENGINEERING, INC.
 LOUISIANA & MISSISSIPPI
 Chief Engineer: Brian Mitch, PE
 524 Old Spanish Trail
 Metairie, LA 70002
 www.dammomonengineering.com
 info@dammomonengineering.com
 PH: 985.647.3522 F: 985.647.5950

#	DESCRIPTION	REVISIONS	DATE



MAINSTAY SUITES
 100 MAIN STREET
 LOT 171A HWY 27
 MOOREHEAD, LA 70546
 JOB No: 2265 DATE: FEBRUARY, 2016
 DRAWN BY: JTL CHECKED BY: JMS

SHEET TITLE:
 ENLARGED FLOOR PLAN & INTERIOR ELEVATIONS FOR THE PUBLIC BAR/LOUNGE

DRAWING NUMBER:

A308