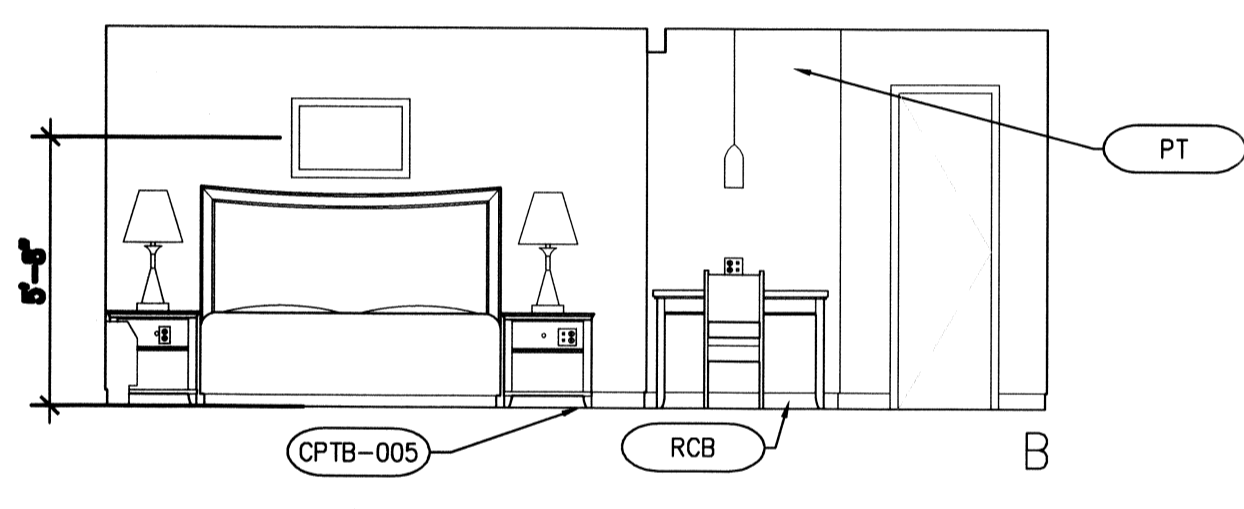
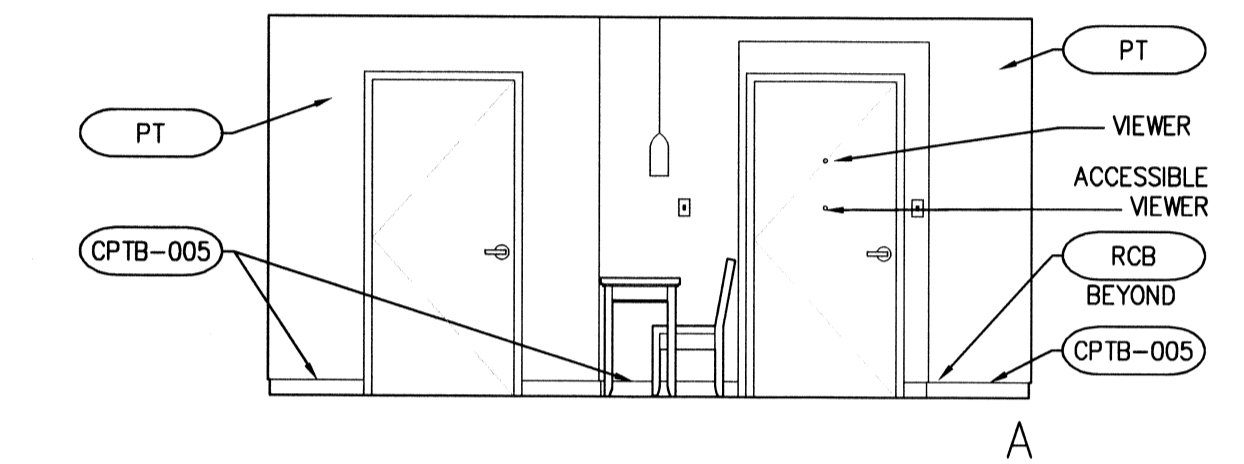
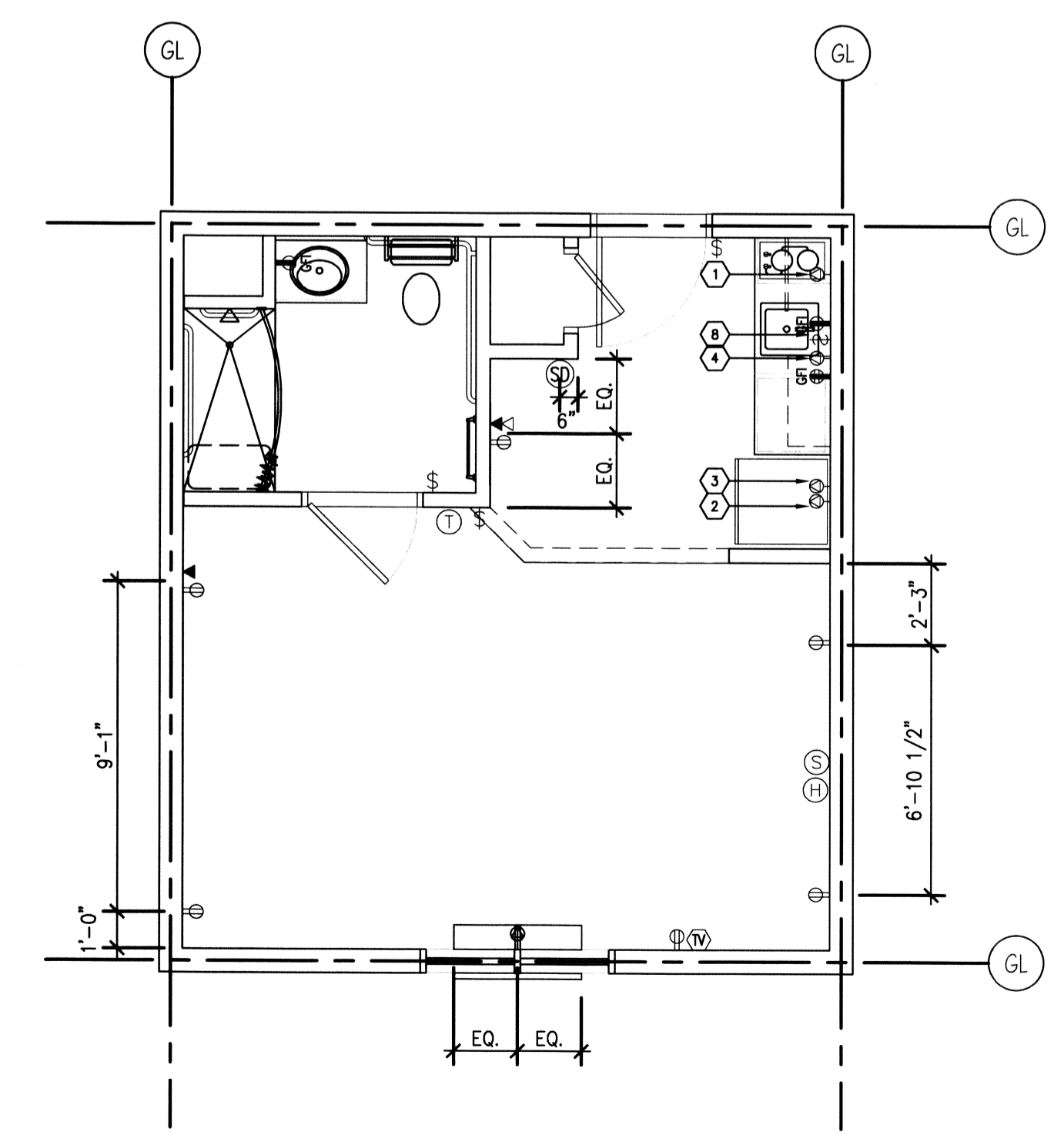


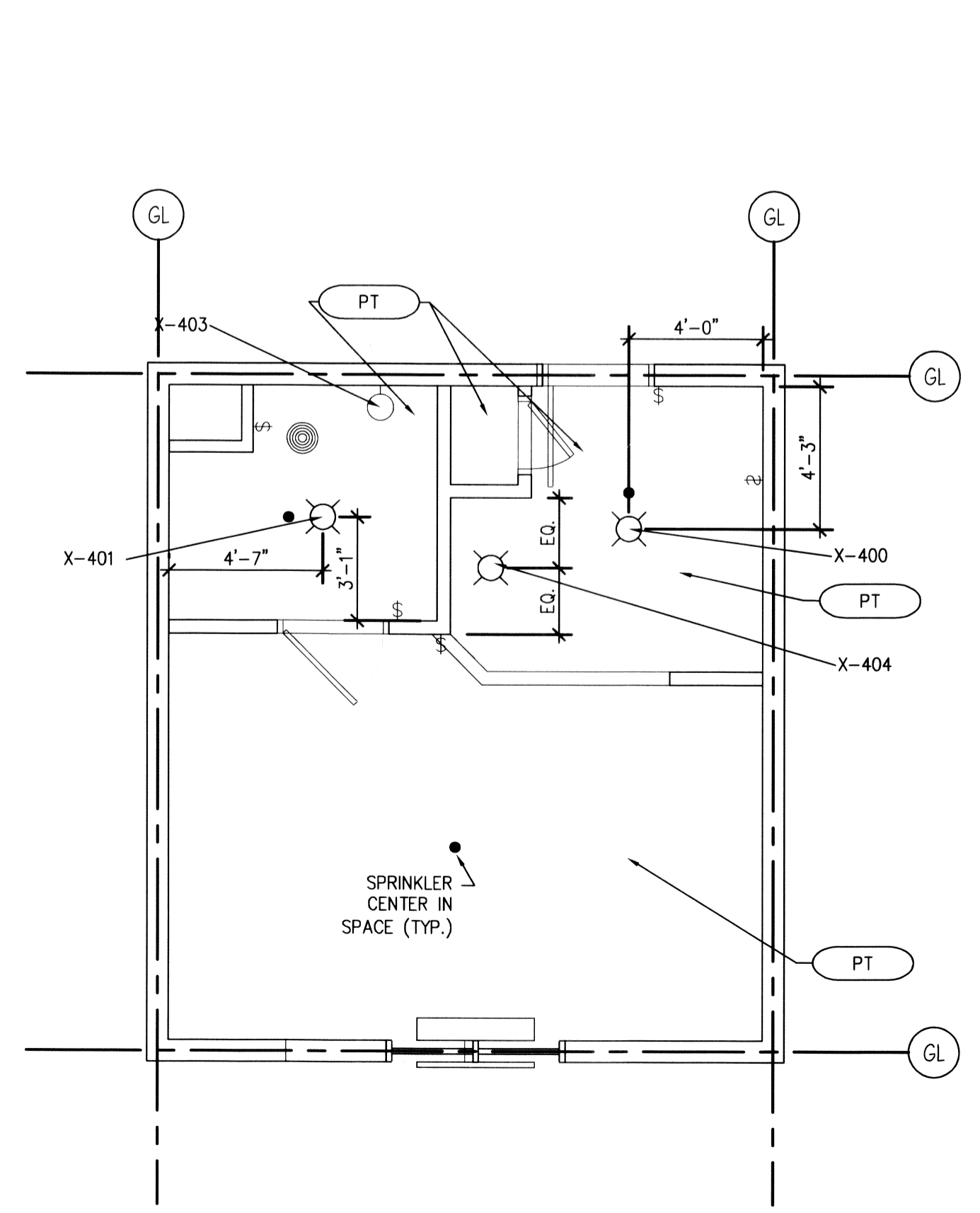
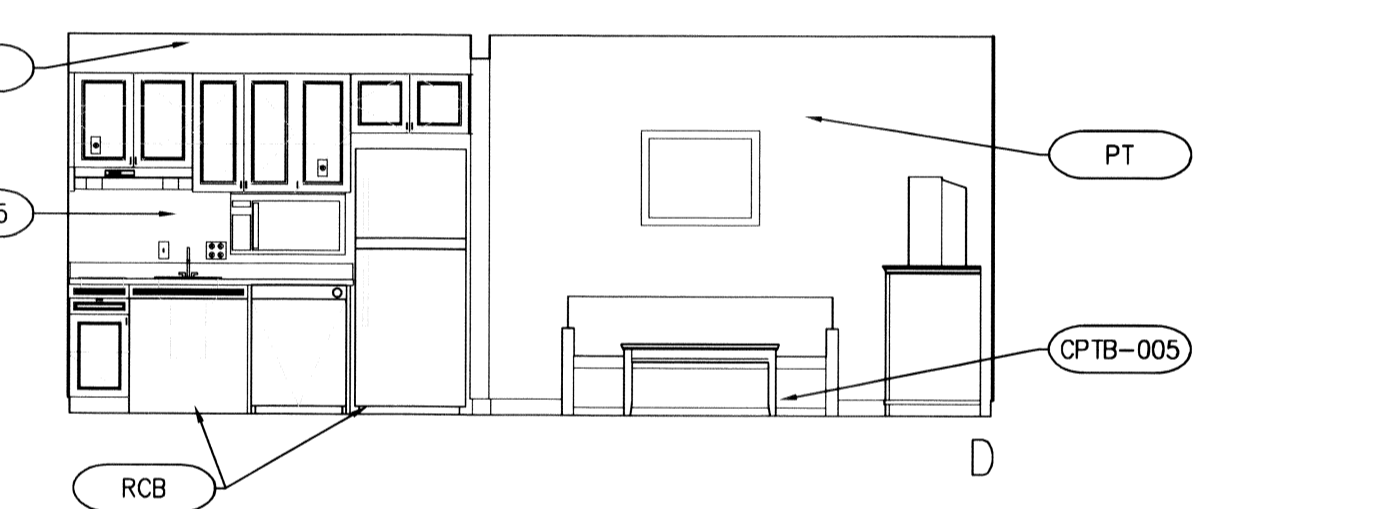
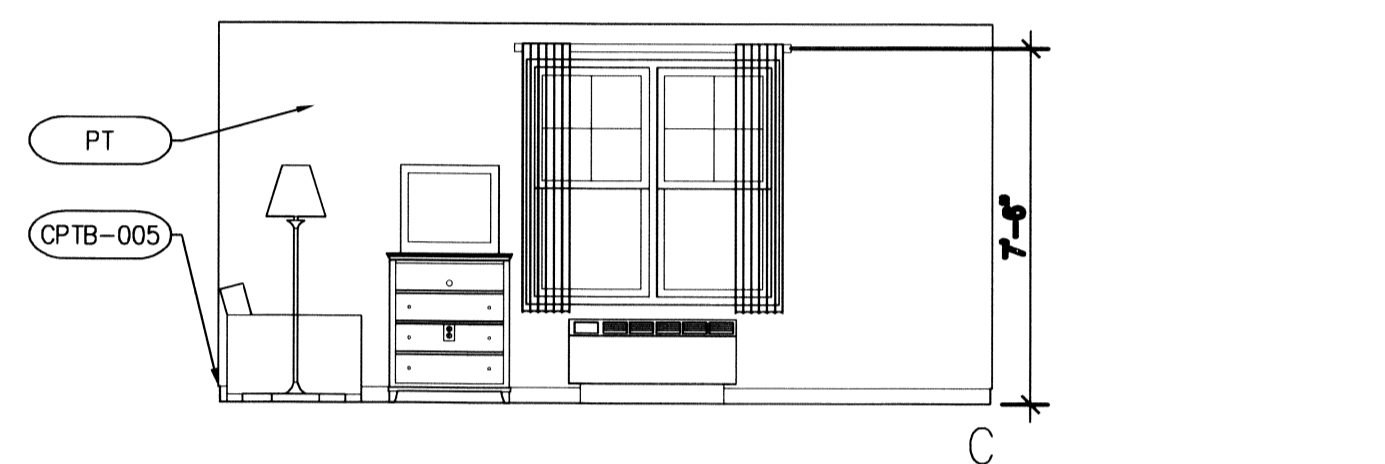
**6 INTERIOR ELEVATIONS**  
SCALE: 1/4"=1'-0"



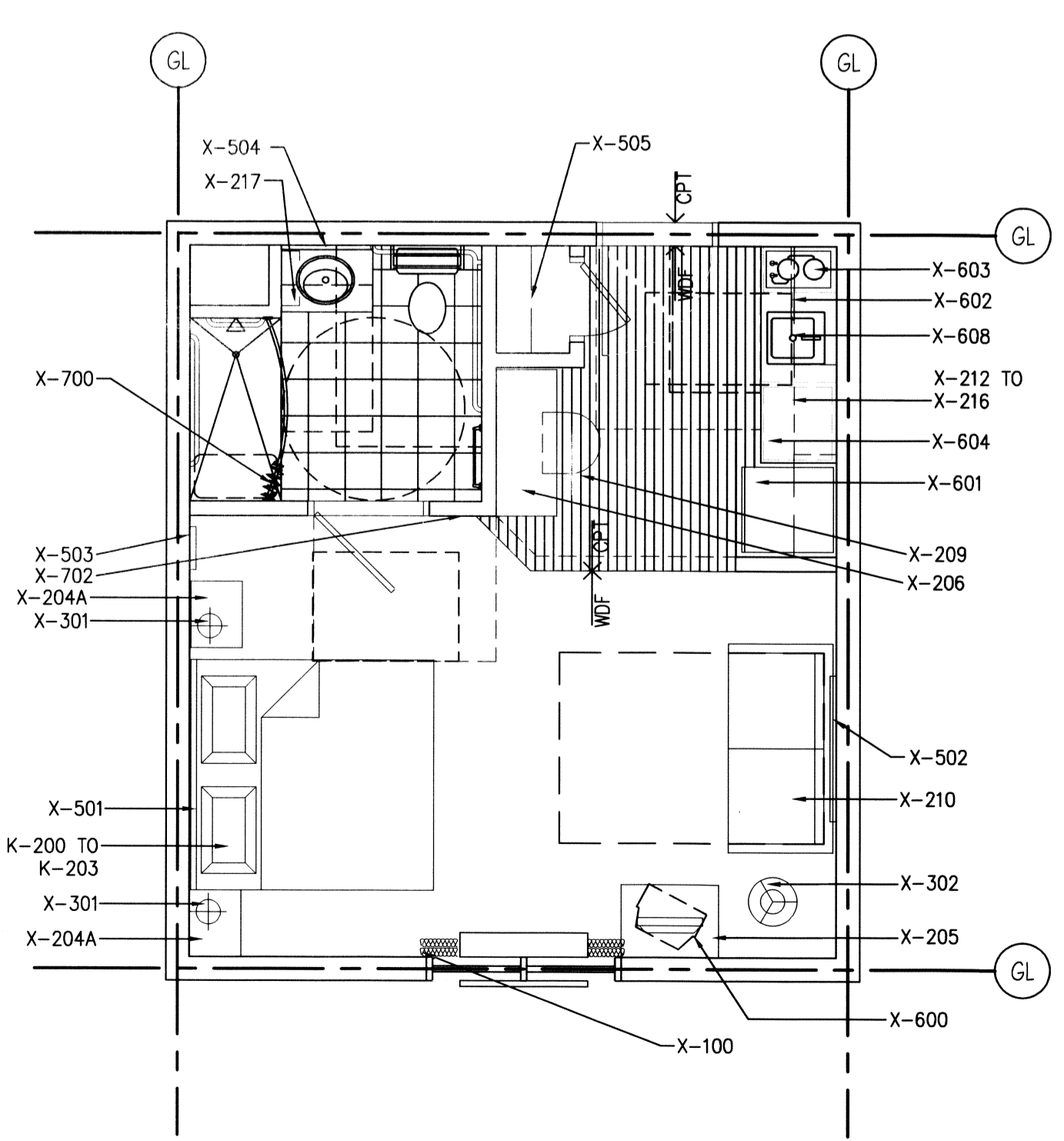
**5 INTERIOR ELEVATIONS**  
SCALE: 1/4"=1'-0"



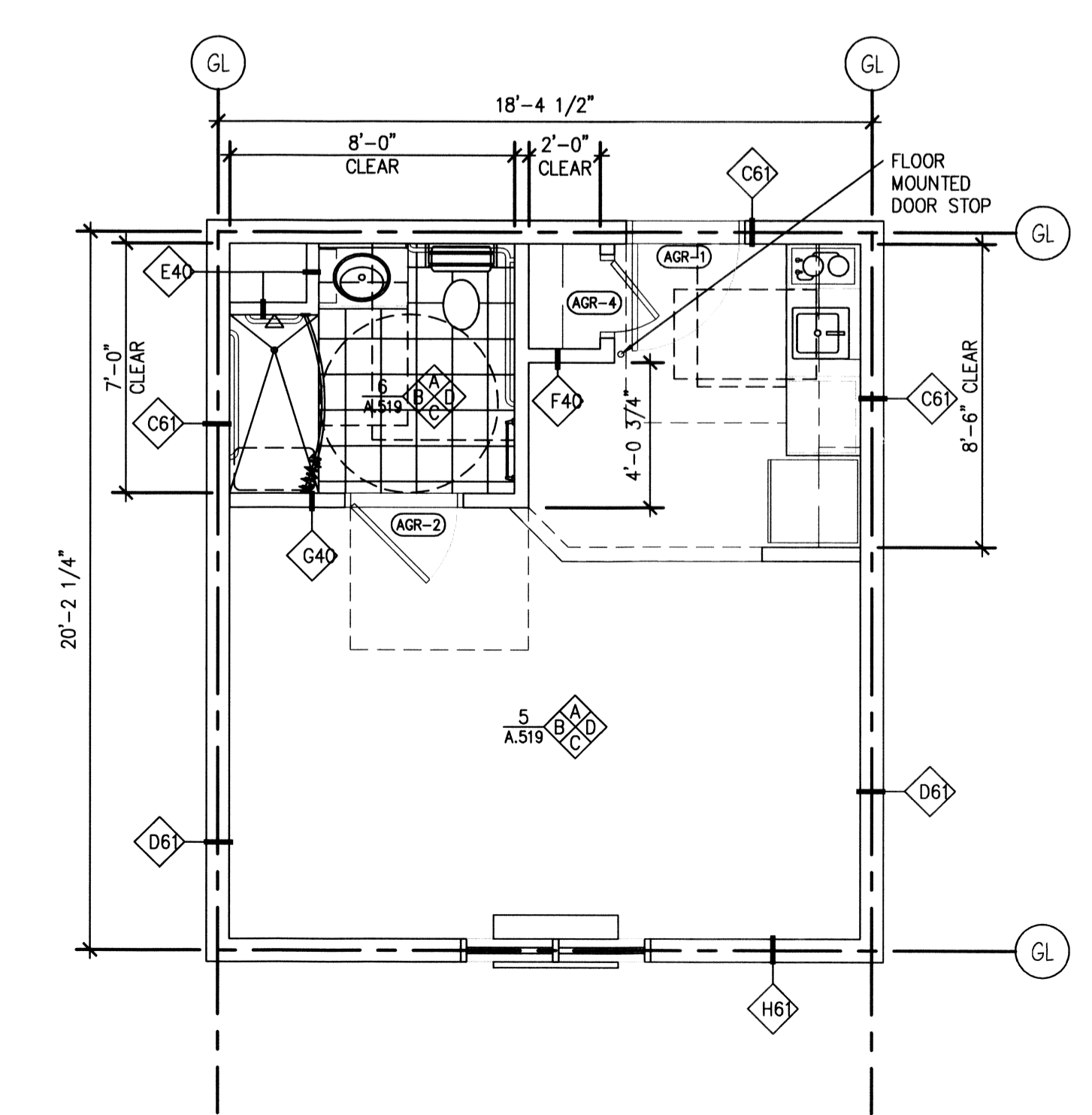
**4 ELECTRICAL DEVICE PLAN**  
SCALE: 1/4"=1'-0"



**3 REFLECTED CEILING PLAN**  
SCALE: 1/4"=1'-0"



**2 FLOOR FINISH/FFE PLAN**  
SCALE: 1/4"=1'-0"



**1 ARCHITECTURAL FLOOR PLAN**  
SCALE: 1/4"=1'-0"

- GUESTROOM GENERAL NOTES**
- REFER TO 1/8" FLOOR PLANS FOR OVERALL GUESTROOM AND WINDOW DIMENSIONS, UNO.
  - GRID LINES ARE LOCATED AT THE CENTERLINE OF STUDS.
  - OVERALL ROOM DIMENSIONS ARE FROM CENTERLINE OF STUD TO CENTERLINE OF STUD. INTERIOR DIMENSIONS ARE FROM FACE OF FINISH TO FACE OF FINISH, UNO.
  - FOR DETAILED ELEVATIONS & SECTIONS OF KITCHEN CABINETS, BATHROOM CABINET, & DRESSING ROOM CLOSET SYSTEM, REFER TO SHEET A.702, A.703.
  - PLUMBING CHASE SHALL HAVE A FIRESTOP AT EACH FLOOR.
  - MAINTAIN, BY CODE, MINIMUM REQUIRED SEPARATION BETWEEN GUESTROOMS AT PLUMBING CHASE WALLS.

- GUESTROOM CEILING NOTES**
- TYPICAL CEILING FINISH HEIGHT SHALL BE 8'-0" CLEAR AFF (FLOORS 1 THROUGH 3), UNO, 9'-0" FOURTH FLOOR HEIGHT.
  - TYPICAL CEILING FINISH HEIGHT FOR BATHROOMS AND DRESSING ROOMS SHALL BE 7'-6" CLEAR AFF, UNO.
  - TYPICAL CEILING FINISH FOR BEDROOMS, LIVING ROOMS, AND DRESSING ROOMS SHALL BE TEXTURED PAINTED GYP BD, UNO.
  - TYPICAL CEILING FINISH FOR BATHROOMS AND KITCHENS SHALL BE SMOOTH PAINTED GYP BD, UNO.
  - SOFFITS SHALL BE SMOOTH PAINTED FINISH ON GYP BD.
  - CENTER SINGLE SURFACE MOUNTED LIGHT FIXTURES IN CEILING, UNO.
  - CENTER SPRINKLER HEADS IN SPACES.

AREA	WALLS	TRIMS	DOORS	FLOORS	COMMENT	BASE	CEILING	OTHER
GUESTROOM	VYL-005	PT-005	PT-005	CPT-005	USE CPAD-005	CPTB-005		
KITCHEN	VYL-005			WDF-005		RCB-005		
BATHROOM	VYL-006	PT-005	PT-005	CT-005		CTB-005		

GENERAL FINISH NOTE: REFER TO RCP FOR CEILING FINISH. REFER TO FFE PLAN FOR FLOOR FINISH. REFER TO INTERIOR ELEVATIONS FOR WALL FINISH.

**LIGHT & POWER SYMBOLS LEGEND**

[Symbol]	CEILING MOUNTED LIGHT FIXTURE
[Symbol]	PENDANT LIGHT FIXTURE
[Symbol]	FLOOR LAMP
[Symbol]	DESK/TABLE LAMP
[Symbol]	SMOKE DETECTOR
[Symbol]	DOOR BELL w/ LIGHT (HEARING IMPAIRED ROOMS)
[Symbol]	CABLE TV CONNECTION
[Symbol]	TELEPHONE CONNECTION
[Symbol]	COMPUTER/DATA OUTLET
[Symbol]	THERMOSTAT
[Symbol]	EXHAUST FAN
[Symbol]	DUPLEX RECEPTACLE
[Symbol]	QUADPLEX RECEPTACLE
[Symbol]	G.F.I. RECEPTACLE
[Symbol]	SPECIAL RECEPTACLE
[Symbol]	PTAC RECEPTACLE
[Symbol]	DUPLEX RECEPTACLE & TELEPHONE OUTLET W/ COMMON PLATE
[Symbol]	DUPLEX RECEPTACLE, TEL/COMP DATA OUTLET WITH COMMON PLATE
[Symbol]	GFI RECEPTACLE/SINGLE POLE SWITCH WITH COMMON PLATE
[Symbol]	SINGLE POLE SWITCH
[Symbol]	DOUBLE POLE SWITCH
[Symbol]	THREE WAY SWITCH
[Symbol]	FOUR WAY SWITCH
[Symbol]	WALL MOUNTED OCCUPANCY SENSOR W/ SWITCH

**TOILET & BATH ACCESSORY SCHEDULE**

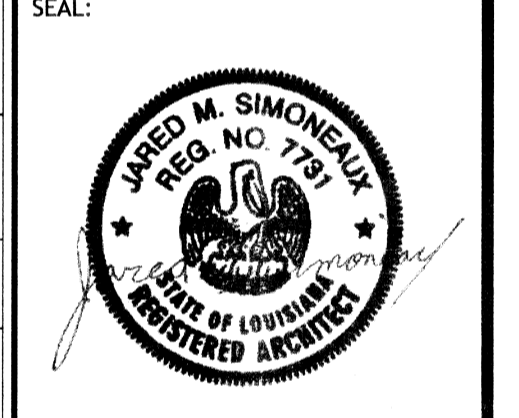
ITEM#	DESCRIPTION	LOC.
TA-05	TOILET	PRR, GR ADA GR
TA-06	CONTINUOUS TOILET GRAB BAR (SURFACE MOUNTED)	GR # ADA GR
TA-07	SINK / CASEWORK (MOUNTING HEIGHT)	GR # ADA GR
TA-08	MIRROR, SURFACE MOUNTED (BOTTOM @ 40" AFF)	GR # ADA GR
TA-09	TOWEL BAR (24" @ 54" AFF 24" @ 42" SURFACE MOUNTED)	GR # ADA GR
TA-10	TOWEL BAR (16" @ 54" AFF) SURFACE MOUNTED	GR # ADA GR
TA-11	TOILET TISSUE DISPENSER (SINGLE ROLL / RECESSED)	PRR, GR # ADA GR
TA-12	TUB GRAB BAR, SURFACE MOUNTED (NON-HANDICAPPED)	GR
TA-13	CURVED SHOWER CURTAIN ROD, SURFACE MOUNTED, (MOUNTING HEIGHT = SEE SCHEDULE)	GR # ADA GR
TA-14	FOLDING SHOWER SEAT, SURFACE MOUNTED	ADA GR
TA-15	12" TUB GRAB BAR (HEAD END, SURFACE MTD)	ADA GR
TA-16	24" TUB GRAB BAR, 2 REQ'D (SIDE WALL, SURFACE MTD)	ADA GR
TA-17	24" TUB GRAB BAR (DRAIN END, SURFACE MTD)	ADA GR
TA-18	SHOWER GRAB BARS SURFACE MOUNTED	ADA GR
TA-19	ROBE/COAT HOOK	GR
TA-20	ROBE/COAT HOOK 48"	ADA GR
TA-21	HAIR DRYER	GR # ADA GR
TA-22	SHWR HEAD & CONTROLS (MOUNTING HEIGHT = SEE SCHED)	GR
TA-23	SHWR HEAD & CONTROLS (MOUNTING HEIGHT = SEE SCHED)	ADA GR
TA-24	CULTURED SHELF 24"	GR
TA-25	SOAP DISH 42"	GR # ACC GR

**TOILET/BATH ACCESSORY NOTES:**

- PRR = PUBLIC RESTROOM
- GR = GUESTROOM
- ADA GR = ACCESSIBLE GUESTROOM

**DAMMON ENGINEERING, INC.**  
LOUISIANA & MISSISSIPPI  
Chief Engineer: Brian Michich, PE  
554 Old Spanish Trail  
Stellie, LA 70458  
PH: 985.649.5832 F: 985.641.5990  
www.dammonengineering.com  
info@dammonengineering.com

DATE	REVISIONS
	# DESCRIPTION



**MAIN STAY SUITES**

SHEET TITLE: ACCESSIBLE KING SUITE DETAILS

DRAWING NUMBER: **A312**

JOB NO: 2265 DATE: FEBRUARY, 2016  
DRAWN BY: JMS  
CHECKED BY: JTL

700 MAIN STREET  
LACHERBY, LA 70645

SHEET No: 36 of 52