

FINISH SCHEDULE

ROOM	FLOOR	BASE	WALLS				CEILING	NOTES
			NORTH	EAST	SOUTH	WEST		
LIVING ROOM	VINYL PLANK	6" WOOD BASE	1/2" G&B	1/2" G&B	1/2" G&B	1/2" G&B	1/2" G&B	
KITCHEN	VINYL PLANK	6" WOOD BASE	1/2" G&B	1/2" G&B	1/2" G&B	1/2" G&B	1/2" G&B	
HALL	VINYL PLANK	6" WOOD BASE	1/2" G&B	1/2" G&B	1/2" G&B	1/2" G&B	1/2" G&B	
BEDROOMS	VINYL PLANK	6" WOOD BASE	1/2" G&B	1/2" G&B	1/2" G&B	1/2" G&B	1/2" G&B	
BATHROOM	CERAMIC 8" HEXAGON	CERAMIC	1/2" MR G&B	1/2" MR G&B	1/2" MR G&B	1/2" MR G&B	1/2" MR G&B	PENNY TILE INSTALLED IN SHOWER PAN WITH LINEAR DRAIN. 12"X24" SHOWER WALL TILE INSTALLED TO CEILING
UTILITY ROOM	CERAMIC 8" HEXAGON	CERAMIC	1/2" G&B	1/2" G&B	1/2" G&B	1/2" G&B	1/2" G&B	PAINT WALLS WITH TWO PART EPOXY

NOTE - (MR) MOLD RESISTANT

NOTE: OWNER TO PICK ALL FINISHES

SQUARE FEET

LIVING	1040
FRONT PORCH	84
TOTAL SQ. FT.	1124

WINDOW SCHEDULE

MK	WIDTH	HEIGHT	FRAME MAT	NOTES
W01	3'-0"	5'-0"	VINYL	WHITE VINYL SINGLE HUNG INSULATED
W02	3'-0"	3'-0"	VINYL	WHITE VINYL SINGLE HUNG INSULATED
W03	3'-0"	1'-0"	VINYL	FIXED WHITE VINYL WINDOW INSULATED

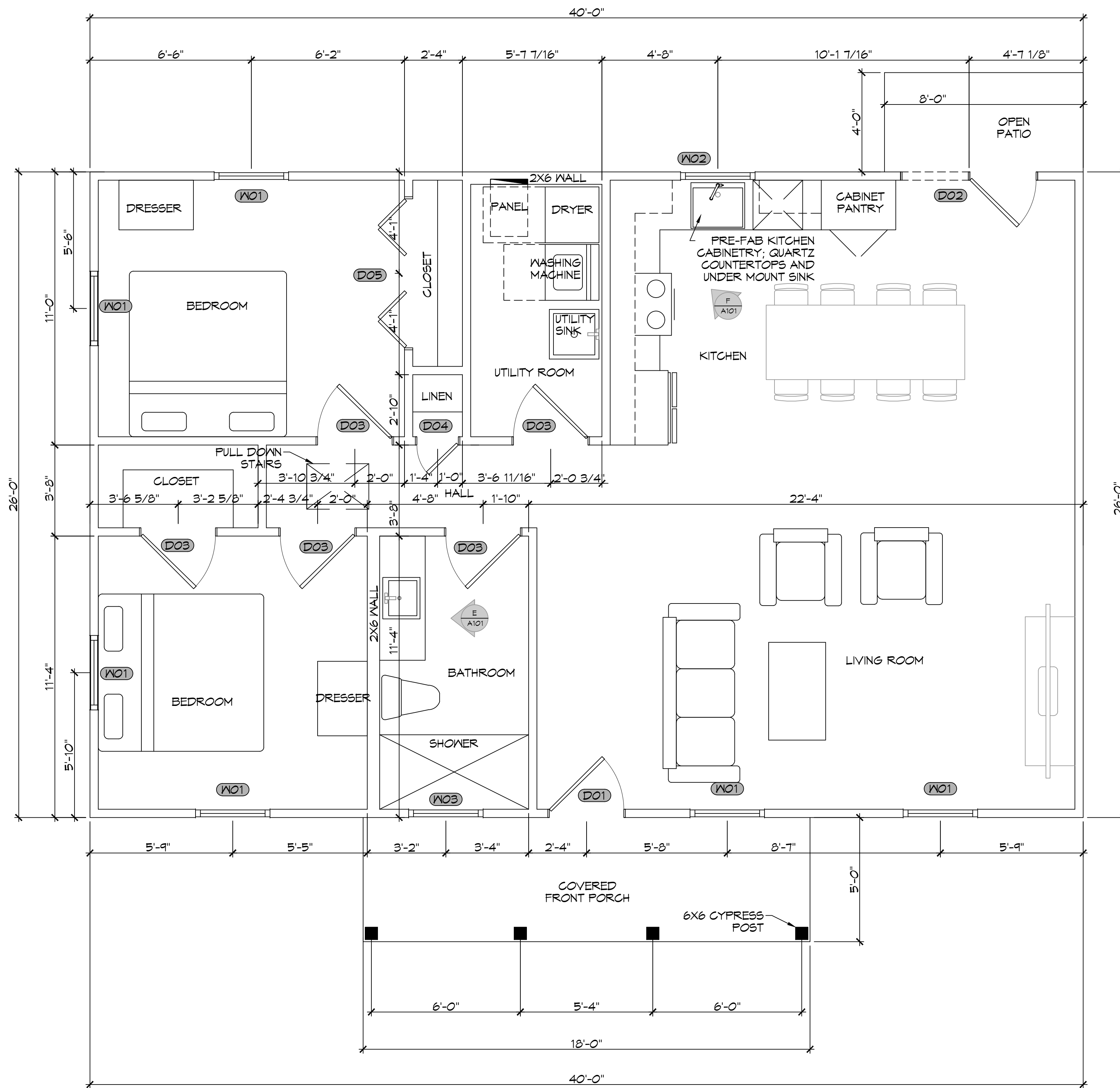
NOTE: OWNER TO PICK ALL WINDOW STYLES

DOOR SCHEDULE

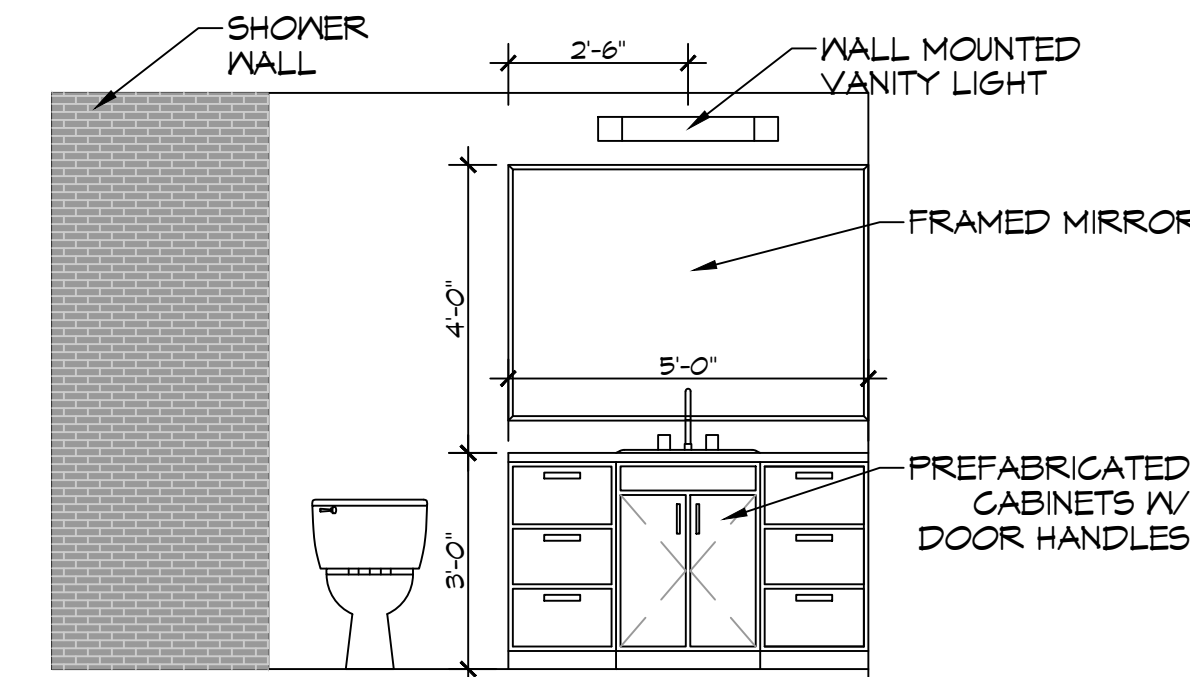
MK	WIDTH	HEIGHT	THK	DOOR MAT	FRAME MAT	NOTES
D01	3'-0"	6'-10"	1-3/4"	WOOD	WOOD	EXTERIOR DOOR
D02	(2)3'-0"	6'-10"	1-3/4"	WOOD	WOOD	EXTERIOR SLIDING DOUBLE DOOR
D03	3'-0"	6'-8"	1-3/4"	WOOD	WOOD	INTERIOR DOOR
D04	1'-8"	6'-8"	1-3/4"	WOOD	WOOD	INTERIOR DOOR FOR LINEN CLOSET
D05	(2)3'-0"	6'-8"	1-3/4"	WOOD	WOOD	INTERIOR DOUBLE ACCORDION DOORS

NOTE: OWNER TO PICK ALL DOOR STYLES

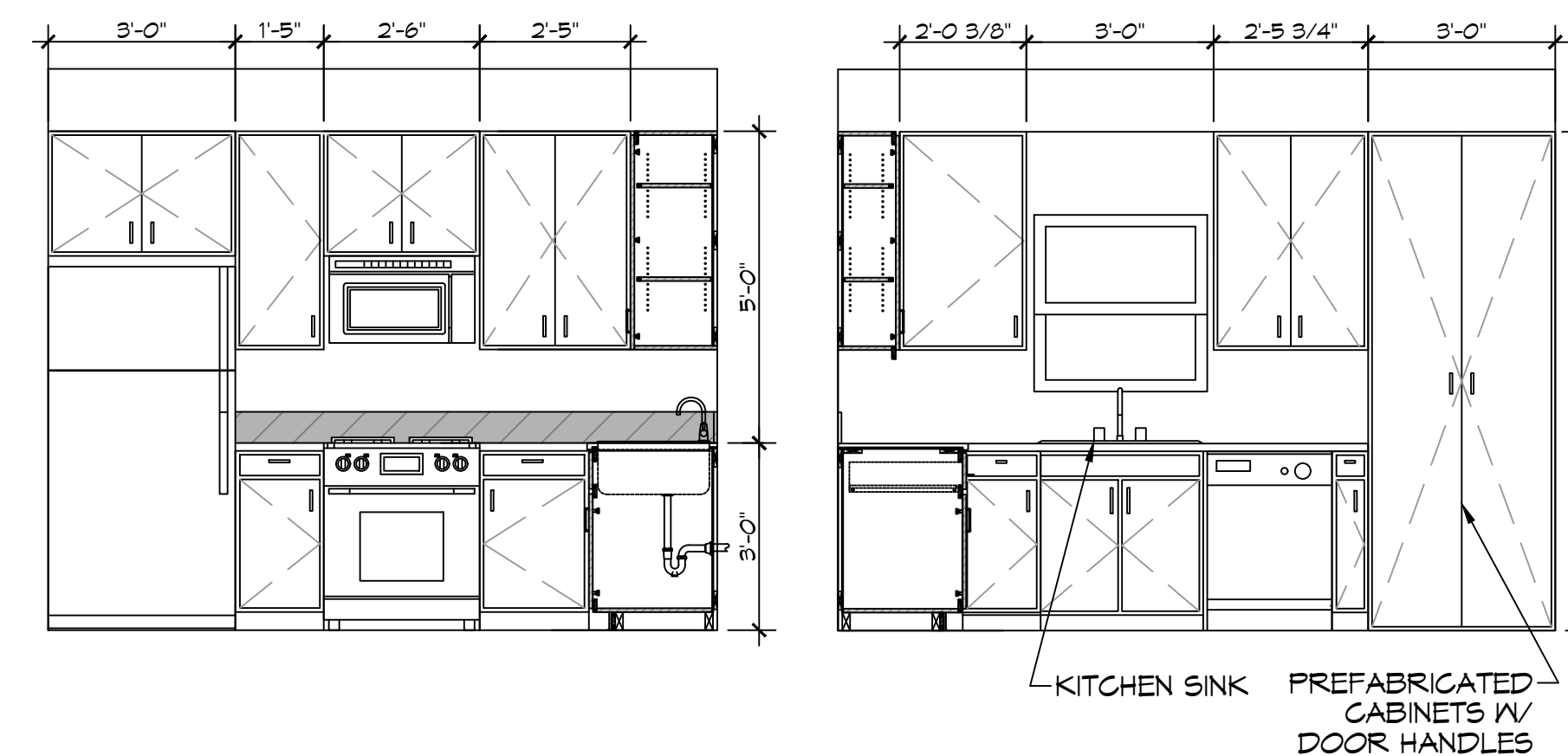
NOTE: ALL EXTERIOR WINDOWS AND DOORS ASSEMBLES TO BE RATED FOR 140 MPH WINDS AND SHALL BE MISSILE IMPACT RESISTANT.



FIRST FLOOR PLAN
SCALE: 3/8" = 1'-0"



E BATHROOM
SCALE: 3/8" = 1'-0" INTERIOR ELEVATION



F KITCHEN
SCALE: 3/8" = 1'-0" INTERIOR ELEVATION

DAMMON ENGINEERING, INC.
LOUISIANA & MISSISSIPPI
www.dammonengineering.com
info@dammonengineering.com
PH: 985-649-5832

#	DESCRIPTION	DATE



IRSTECH
388 ROBERT BLVD
SLIDELL, LA 70458
JOB No: 09-24-2025
DRAWN BY: SKJ
CHECKED BY: CKD

SHEET TITLE:
FLOOR PLAN

DRAWING NUMBER:

A101