

FINISH SCHEDULE

| ROOM | FLOOR | BASE | WALLS | | | | CEILING | NOTES |
|--------------|--------------------|--------------|-------------|-------------|-------------|-------------|-------------|---|
| | | | NORTH | EAST | SOUTH | WEST | | |
| LIVING ROOM | VINYL PLANK | 6" WOOD BASE | 1/2" G&B | 1/2" G&B | 1/2" G&B | 1/2" G&B | 1/2" G&B | |
| KITCHEN | VINYL PLANK | 6" WOOD BASE | 1/2" G&B | 1/2" G&B | 1/2" G&B | 1/2" G&B | 1/2" G&B | |
| HALL | VINYL PLANK | 6" WOOD BASE | 1/2" G&B | 1/2" G&B | 1/2" G&B | 1/2" G&B | 1/2" G&B | |
| BEDROOMS | VINYL PLANK | 6" WOOD BASE | 1/2" G&B | 1/2" G&B | 1/2" G&B | 1/2" G&B | 1/2" G&B | |
| BATHROOM | CERAMIC 8" HEXAGON | CERAMIC | 1/2" MR G&B | 1/2" MR G&B | 1/2" MR G&B | 1/2" MR G&B | 1/2" MR G&B | PENNY TILE INSTALLED IN SHOWER PAN WITH LINEAR DRAIN. 12"X24" SHOWER WALL TILE INSTALLED TO CEILING |
| UTILITY ROOM | CERAMIC 8" HEXAGON | CERAMIC | 1/2" G&B | 1/2" G&B | 1/2" G&B | 1/2" G&B | 1/2" G&B | PAINT WALLS WITH TWO PART EPOXY |

NOTE - (MR) MOLD RESISTANT

NOTE: OWNER TO PICK ALL FINISHES

SQUARE FEET

| | |
|----------------------|-------------|
| LIVING | 1040 |
| FRONT PORCH | 84 |
| TOTAL SQ. FT. | 1124 |

WINDOW SCHEDULE

| MK | WIDTH | HEIGHT | FRAME MAT | NOTES |
|-----|-------|--------|-----------|------------------------------------|
| W01 | 3'-0" | 5'-0" | VINYL | WHITE VINYL SINGLE HUNG INSULATED |
| W02 | 3'-0" | 3'-0" | VINYL | WHITE VINYL SINGLE HUNG INSULATED |
| W03 | 3'-0" | 1'-0" | VINYL | FIXED WHITE VINYL WINDOW INSULATED |

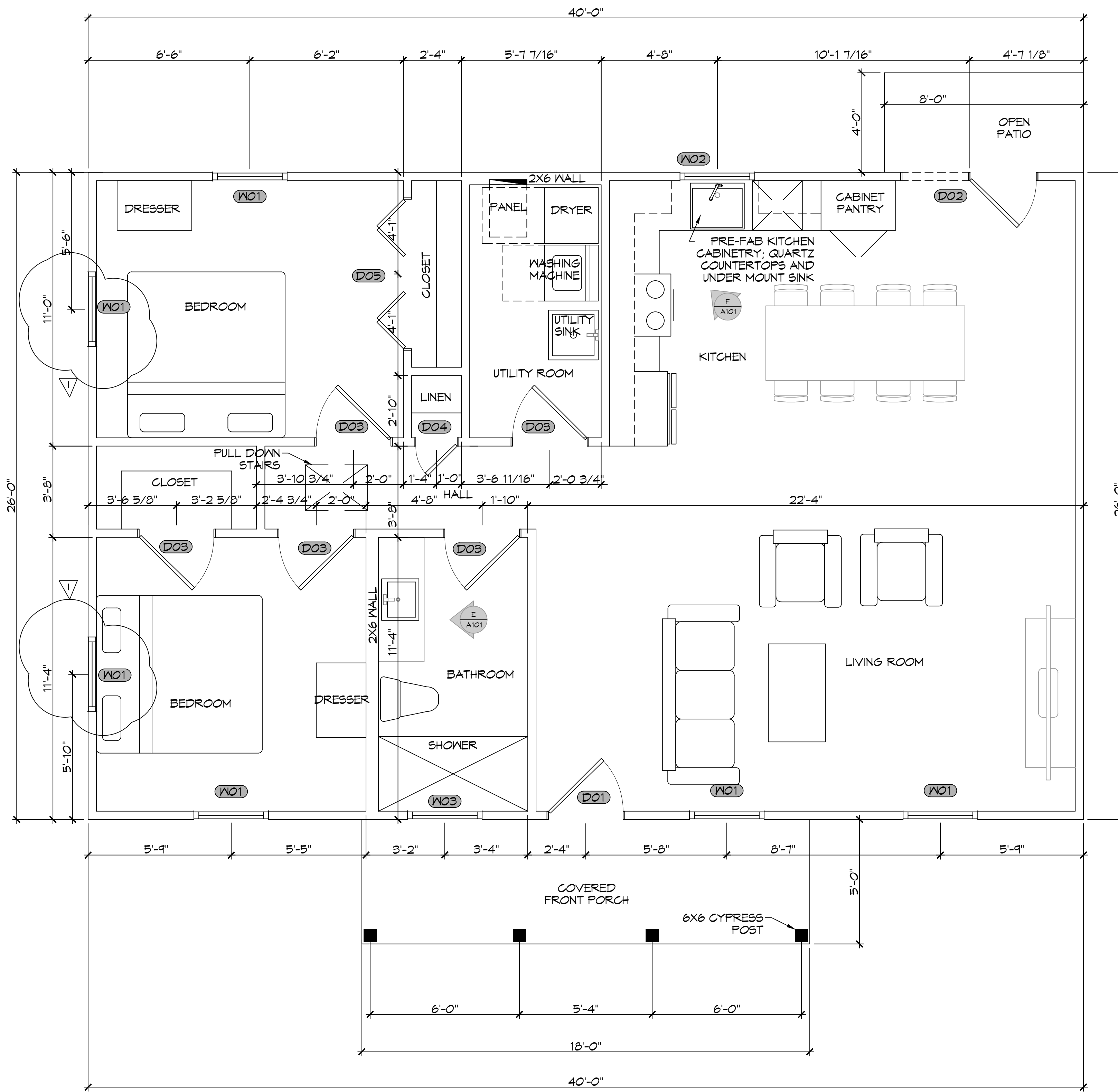
NOTE: OWNER TO PICK ALL WINDOW STYLES

DOOR SCHEDULE

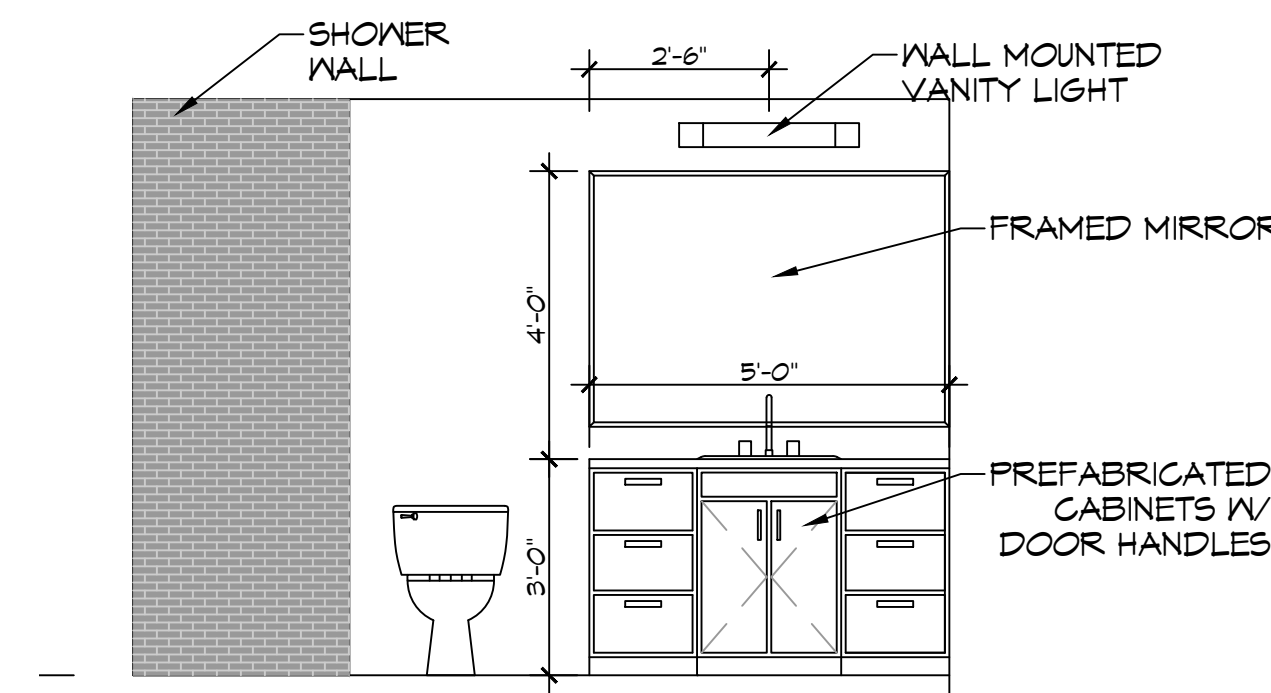
| MK | WIDTH | HEIGHT | THK | DOOR MAT | FRAME MAT | NOTES |
|-----|----------|--------|--------|----------|-----------|---------------------------------|
| D01 | 3'-0" | 6'-10" | 1-3/4" | WOOD | WOOD | EXTERIOR DOOR |
| D02 | (2)3'-0" | 6'-10" | 1-3/4" | WOOD | WOOD | EXTERIOR SLIDING DOUBLE DOOR |
| D03 | 3'-0" | 6'-8" | 1-3/4" | WOOD | WOOD | INTERIOR DOOR |
| D04 | 1'-8" | 6'-8" | 1-3/4" | WOOD | WOOD | INTERIOR DOOR FOR LINEN CLOSET |
| D05 | (2)3'-0" | 6'-8" | 1-3/4" | WOOD | WOOD | INTERIOR DOUBLE ACCORDION DOORS |

NOTE: OWNER TO PICK ALL DOOR STYLES

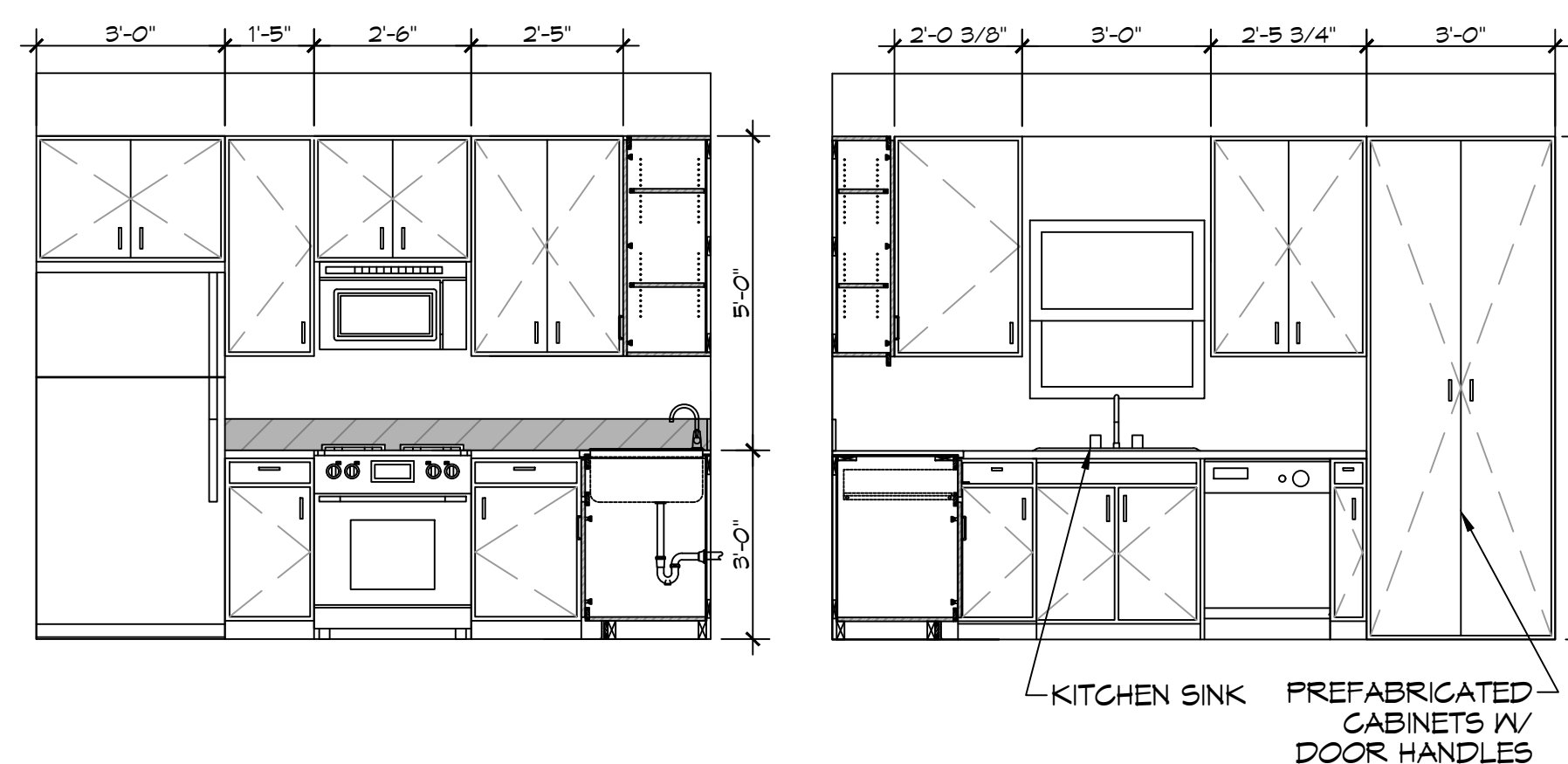
NOTE: ALL EXTERIOR WINDOWS AND DOORS ASSEMBLES TO BE RATED FOR 140 MPH WINDS AND SHALL BE MISSILE IMPACT RESISTANT.



7 FIRST FLOOR PLAN
SCALE: 3/8" = 1'-0"



E BATHROOM
SCALE: 3/8" = 1'-0" INTERIOR ELEVATION



F KITCHEN
SCALE: 3/8" = 1'-0" INTERIOR ELEVATION

DAMMON ENGINEERING, INC.
LOUISIANA & MISSISSIPPI
www.dammonengineering.com
554 Old Spanish Trail
Slidell, LA 70458
PH: 985-649-5832

| # | DESCRIPTION | DATE |
|---|-------------------|----------|
| 1 | ADDED TWO WINDOWS | 07-05-25 |



FIRSTECHOAL FIRSTECHOAL
388 ROBERT BLVD
SLIDELL, LA 70458
JOB No: 05-24-2025
DATE: 05-24-2025
DRAWN BY: SKJ
CHECKED BY: CKD

SHEET TITLE:
FLOOR PLAN

DRAWING NUMBER:

A101