

SEE NOTE: ALL DIMENSIONS OF STRUCTURE SHOWN ON THIS PLAN SHALL BE MATCHED TO THE ARCHITECTURAL DRAWINGS. DATE: 04-07-2023.

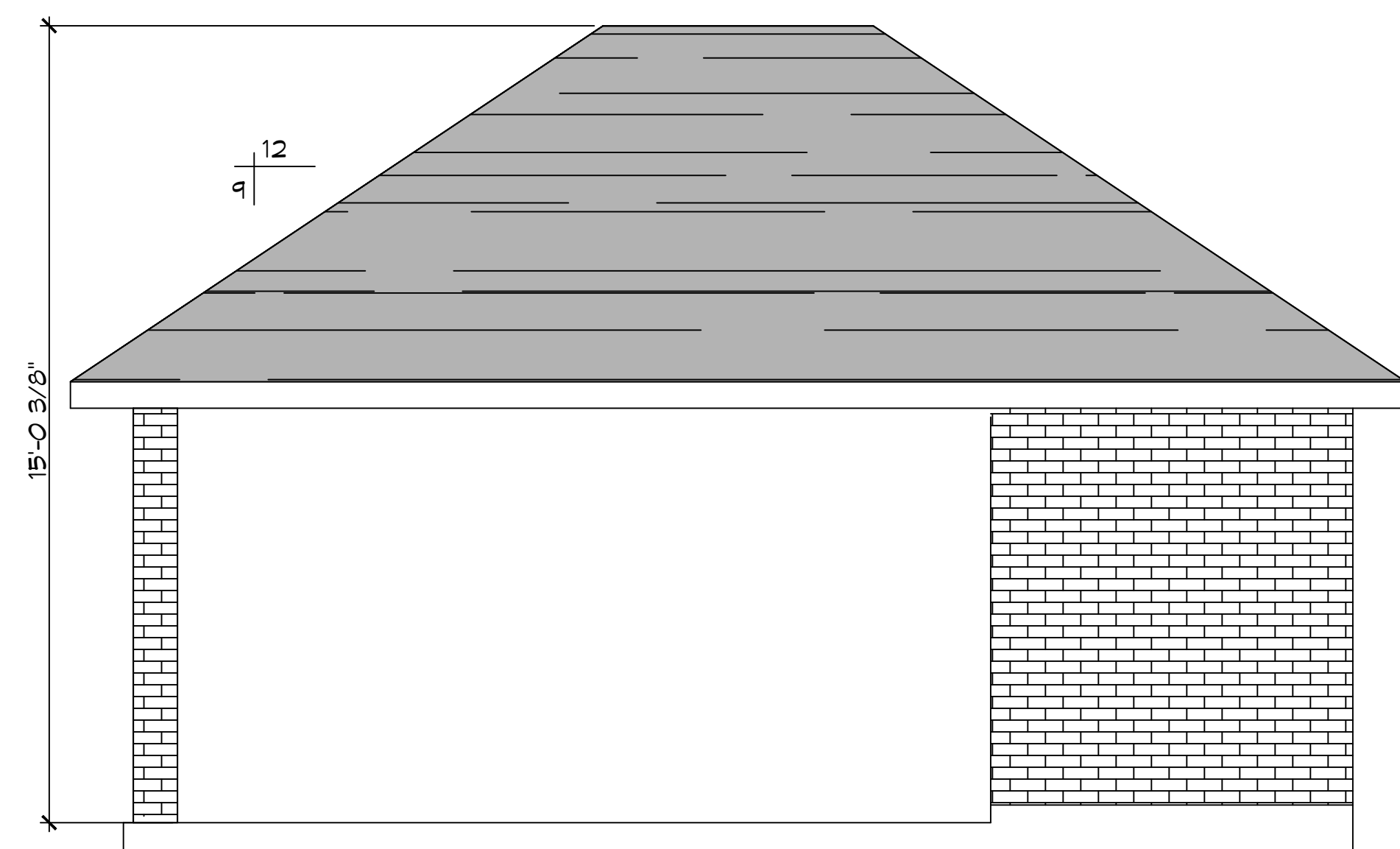
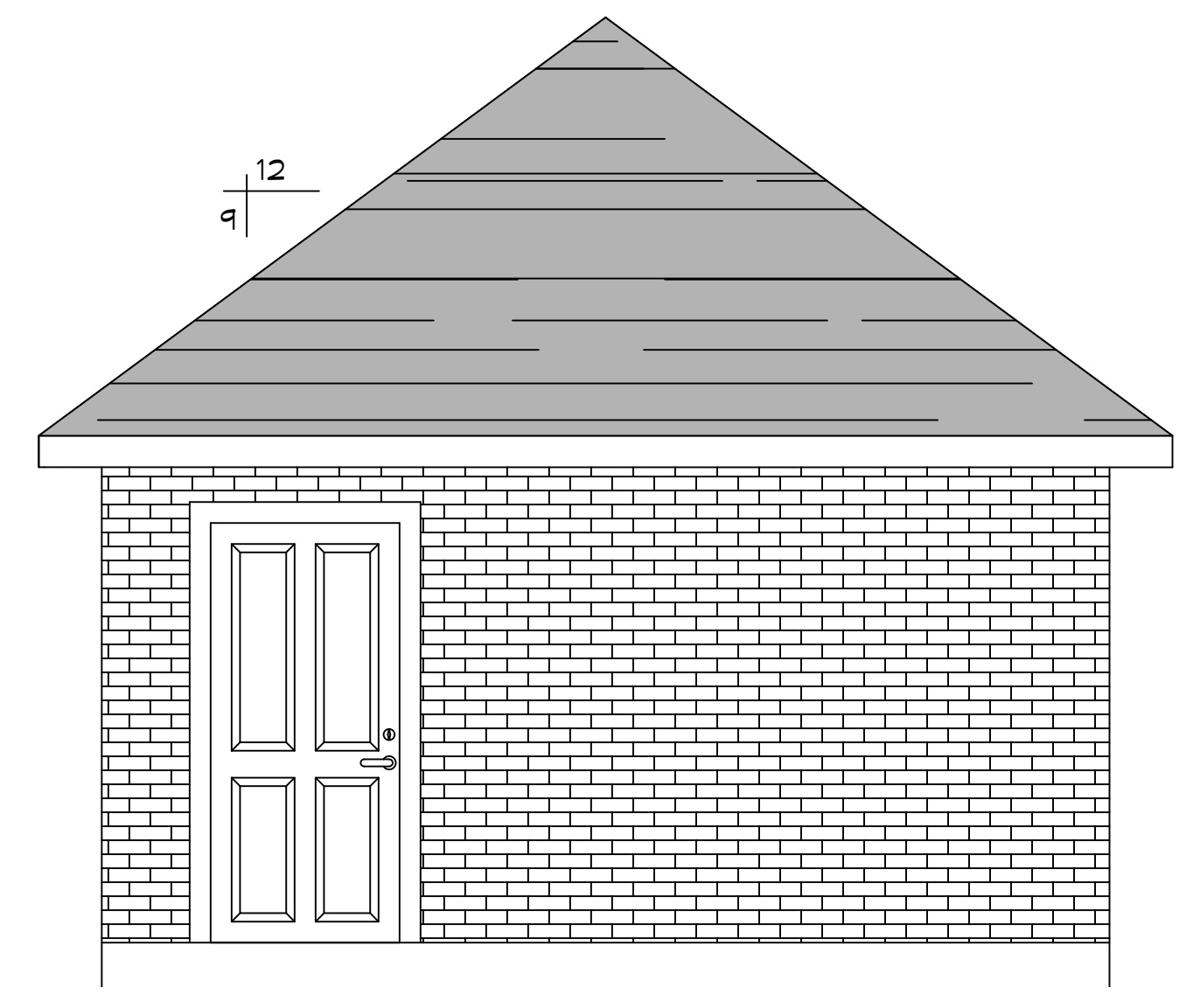
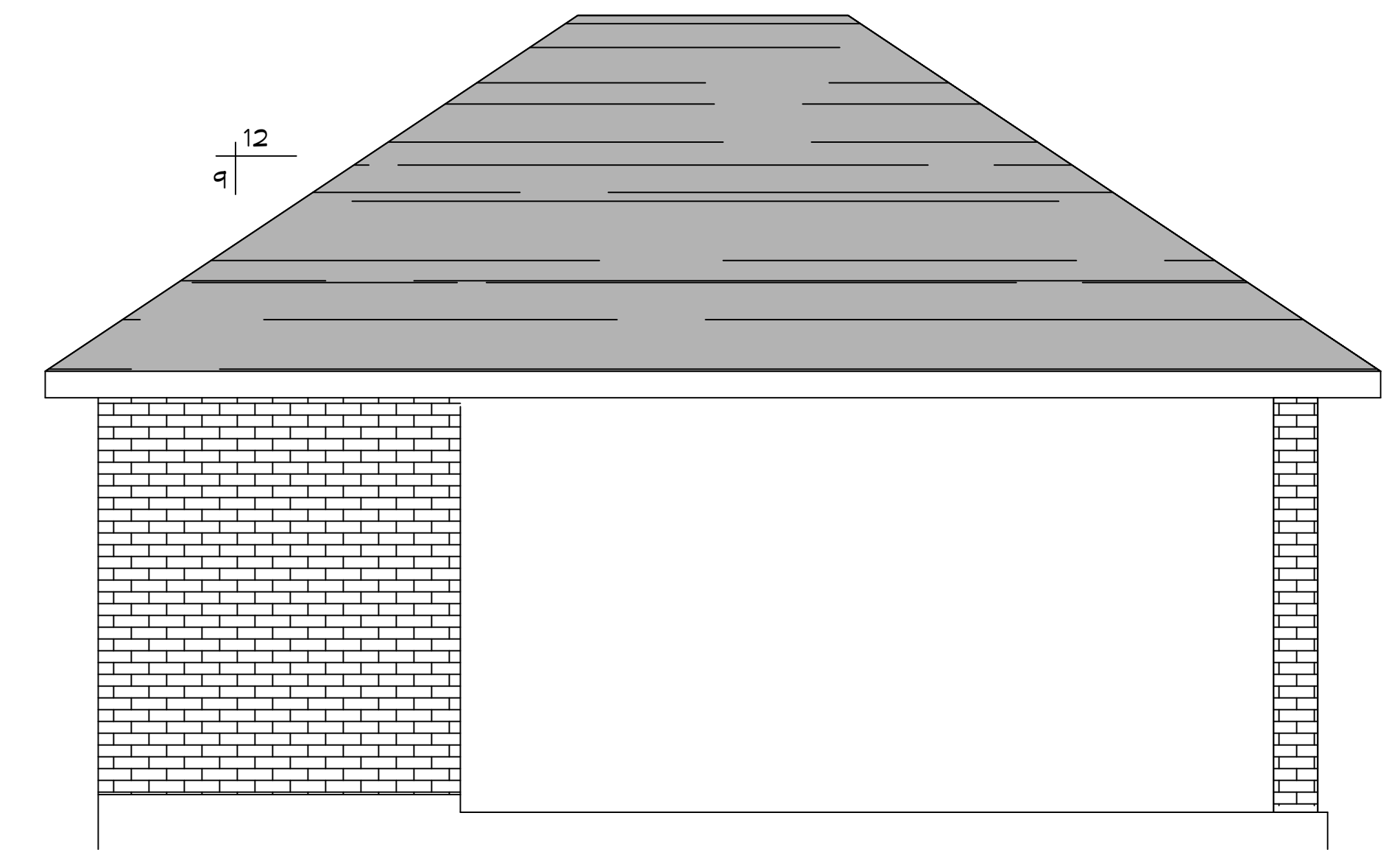
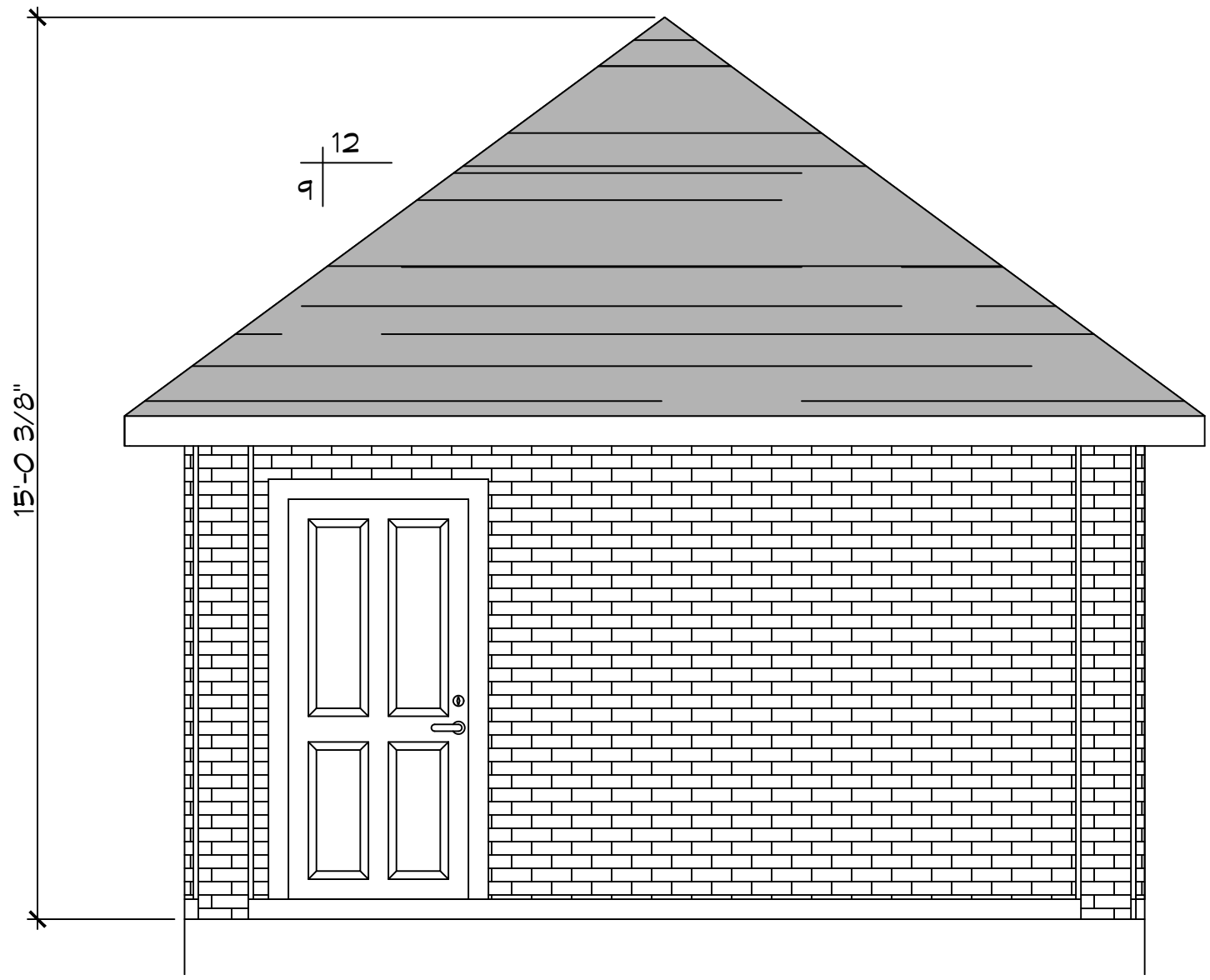
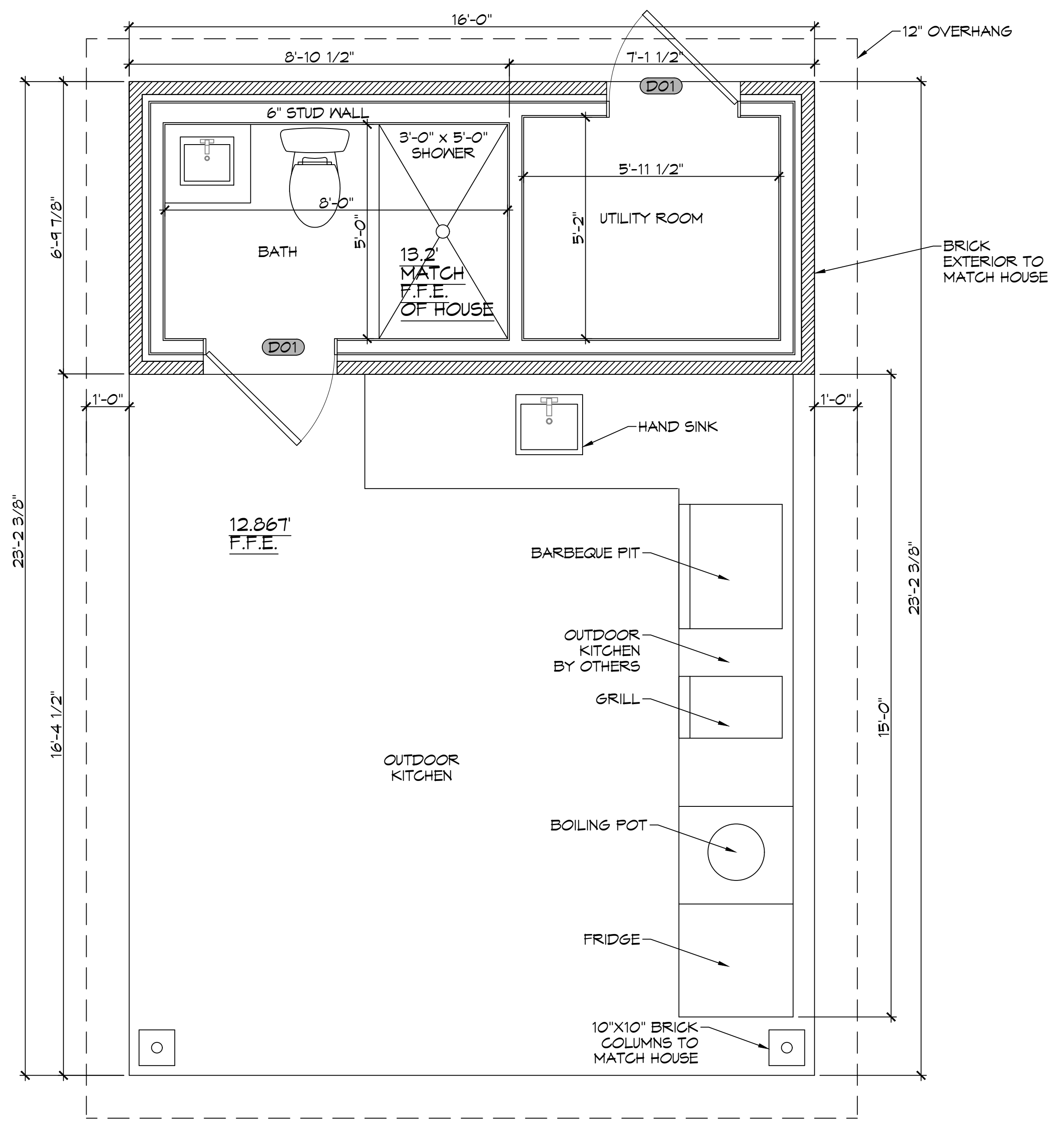
DESIGN CRITERIA

THE CONSTRUCTION FOR SAID RESIDENCE, WHERE WIND SPEED IS 140 MILES PER HOUR AND V_{86d} WIND SPEED IS 130 MPH, WIND EXPOSURE ZONE C, IS DESIGNED IN ACCORDANCE WITH: AMERICAN FOREST AND PAPER ASSOCIATION (AF&PA) WOOD FRAME CONSTRUCTION MANUAL FOR ONE AND TWO FAMILY DWELLINGS (WFCM) 2001 EDITION AS WELL AS THE INTERNATIONAL RESIDENTIAL CODE (IRC) 2021 EDITION. STRUCTURE SHALL BE BUILT TO THE 2021 INTERNATIONAL ENERGY CONSERVATION CODE (2021 IECC) AND STATE AMENDMENTS ADOPTED JULY 1, 2023.

SQUARE FEET	
1/2 BATH	103
COVERED PORCH	262
TOTAL SQ. FT.	365

DOOR SCHEDULE						
MK	WIDTH	HEIGHT	THK	DOOR MAT	FRAME MAT	NOTES
DO1	3'-0"	6'-8"	1-3/4"	WOOD	WOOD	EXTERIOR DOOR

NOTE: ALL EXTERIOR WINDOWS AND DOORS ASSEMBLES TO BE RATED FOR 140 MPH WINDS AND SHALL BE MISSILE IMPACT RESISTANT.



DAMMON ENGINEERING, INC.
LOUISIANA & MISSISSIPPI

Chief Engineer: Brian Mistich, PE
554 Old Spanish Trail
Slidell, LA 70458
www.dammonengineering.com
info@dammonengineering.com
PH: 985-649-5832

#	DESCRIPTION	DATE



NEW POOL HOUSE

ELI ST. JULIEN

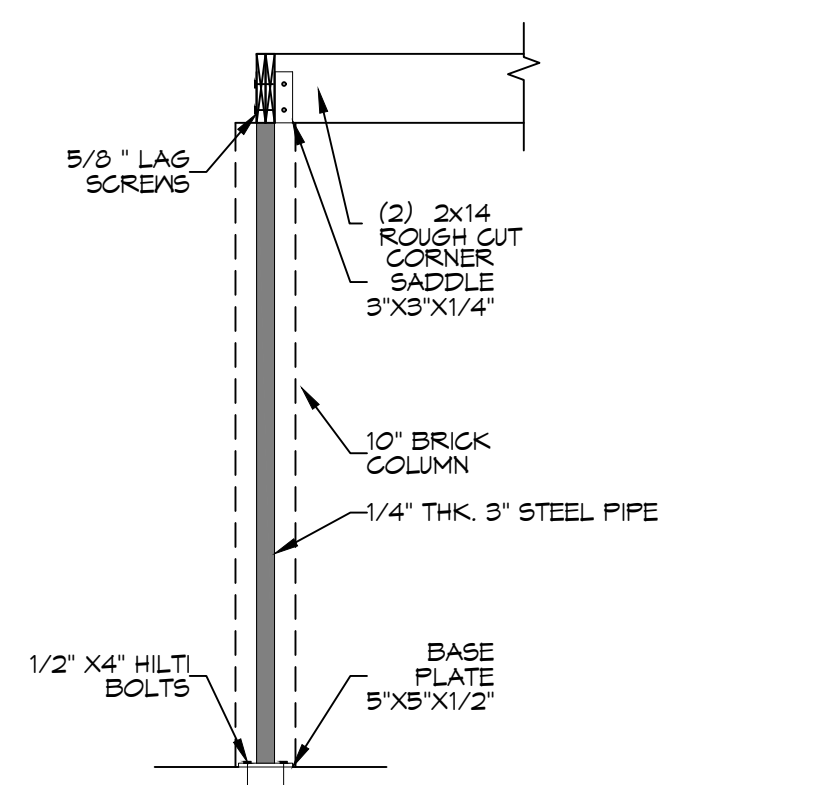
57656 VINEGRA ROAD
SLIDELL, LA 70460

JOB No: DATE: 04-07-2023
DRAWN BY: SCG CHECKED BY: BAM

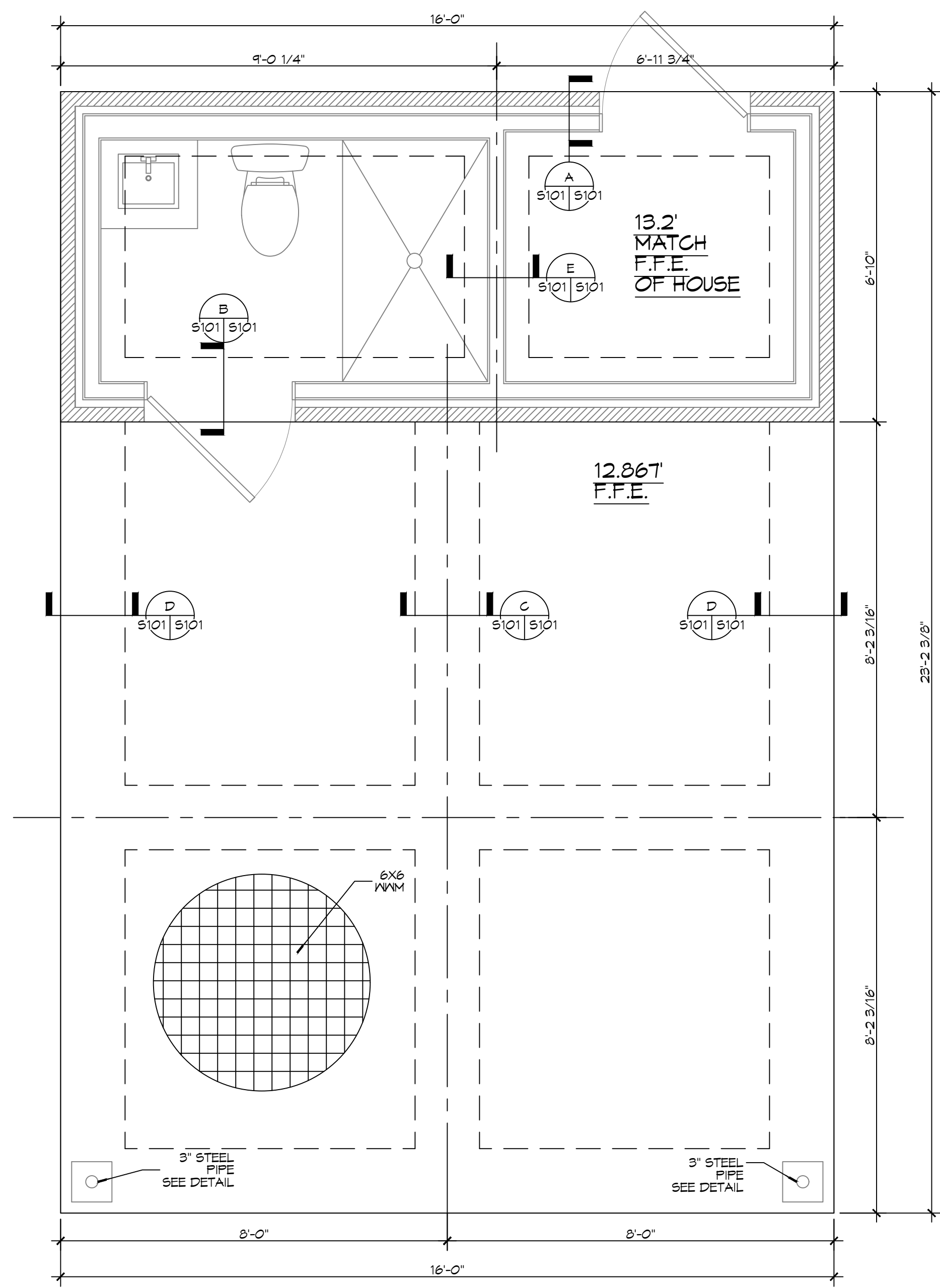
SHEET TITLE:
FLOOR PLAN AND ELEVATIONS

DRAWING NUMBER:
A101

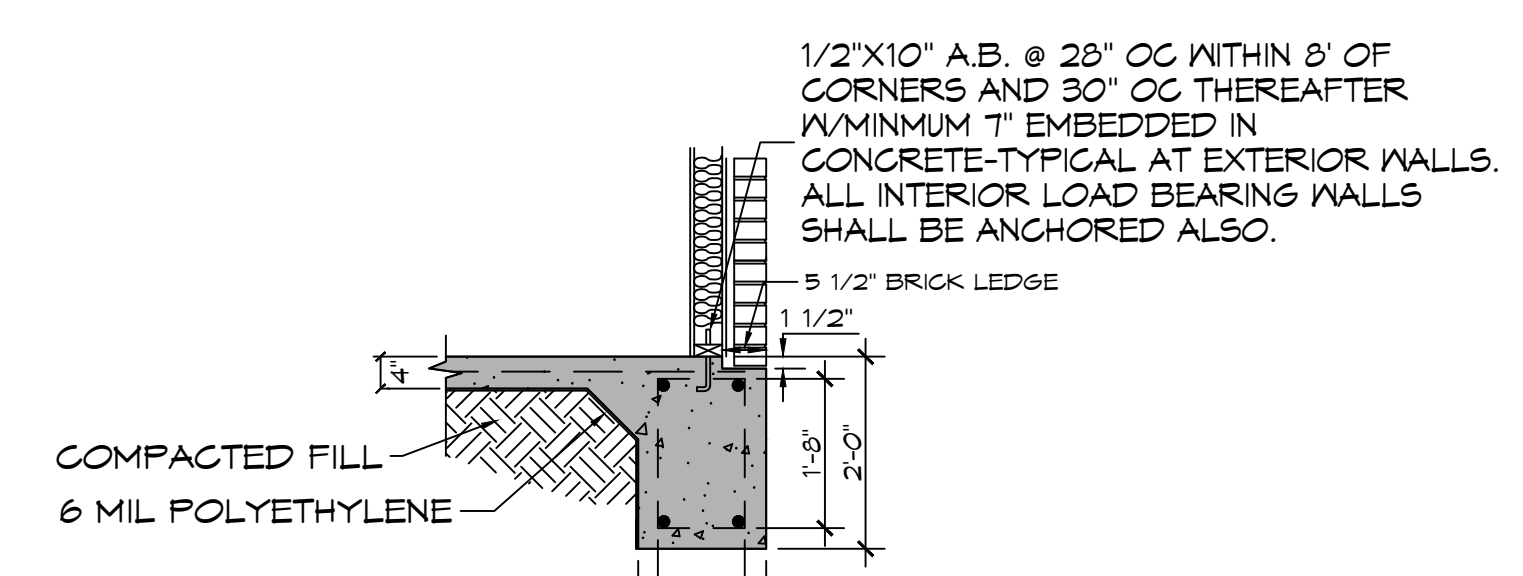
SHEET No: 1 of 3



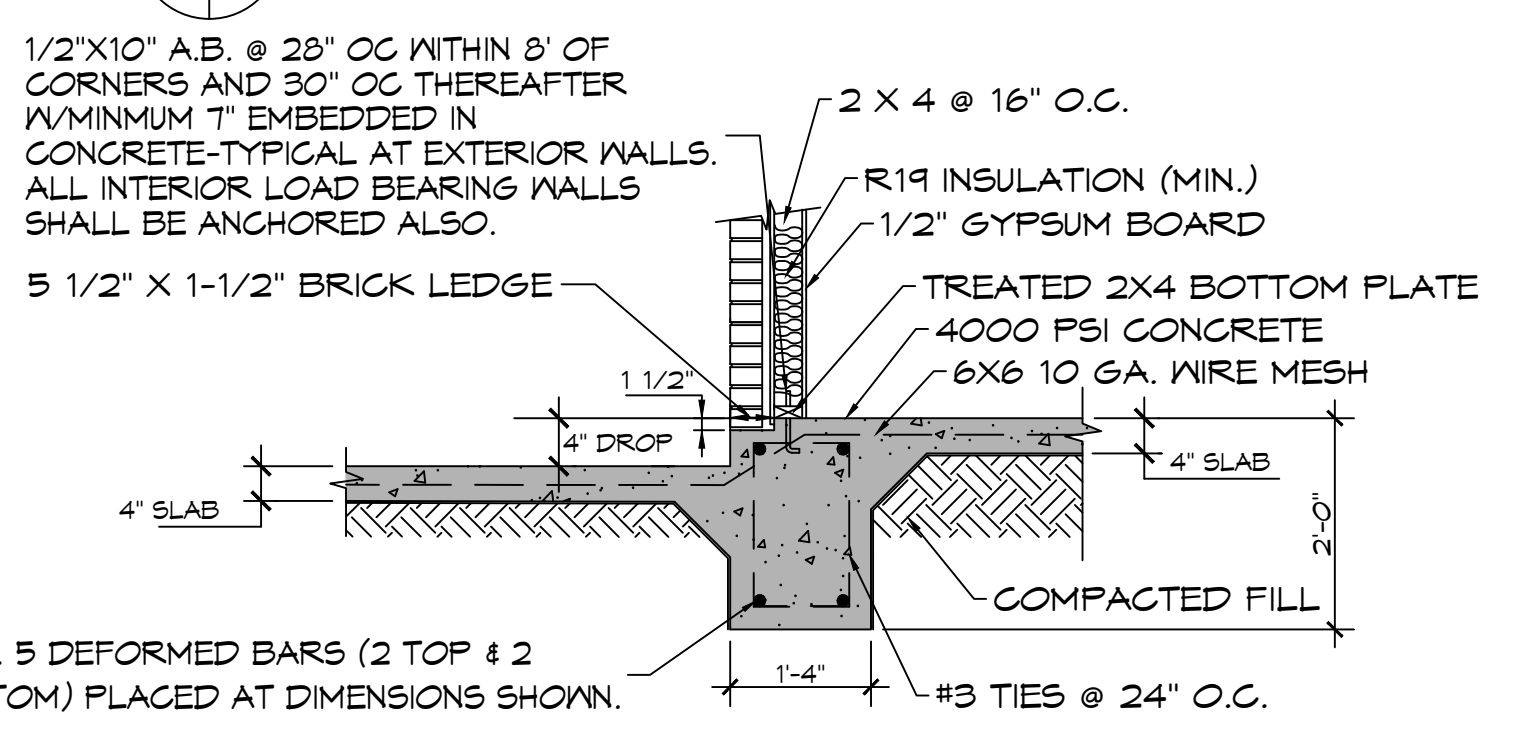
STEEL PIPE DETAIL
SCALE: 3/8" = 1'-0"



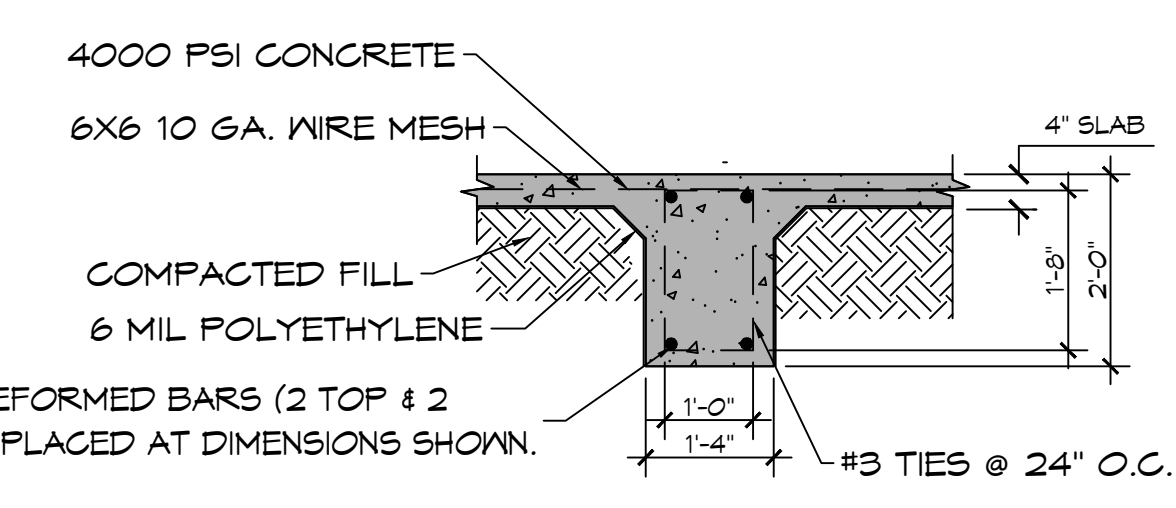
6 FOUNDATION PLAN
SCALE: 1/2" = 1'-0"



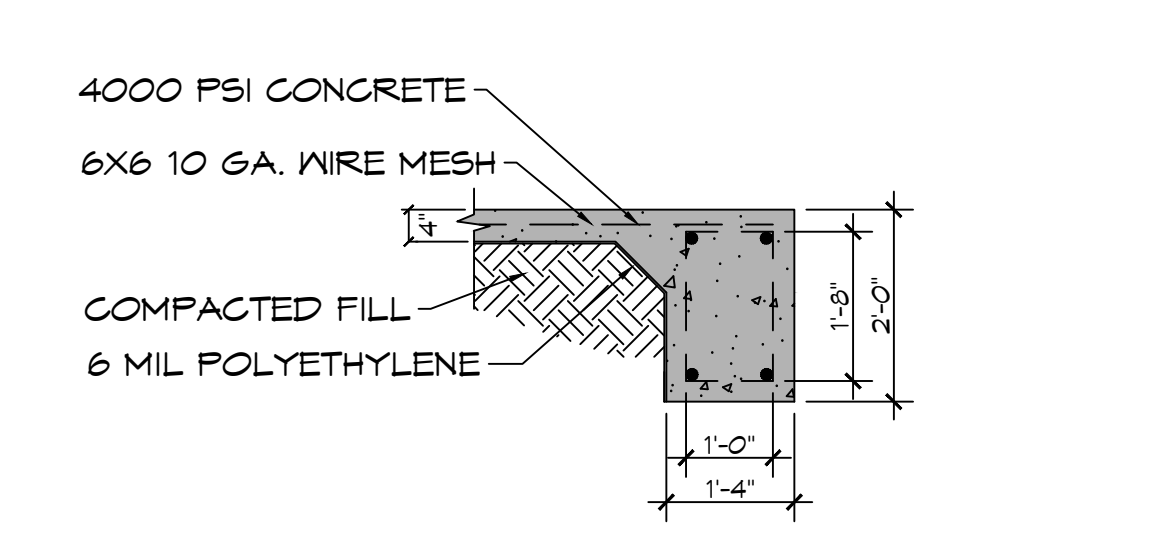
A BRICK EXTERIOR GRADE BEAM
SCALE: N.T.S.



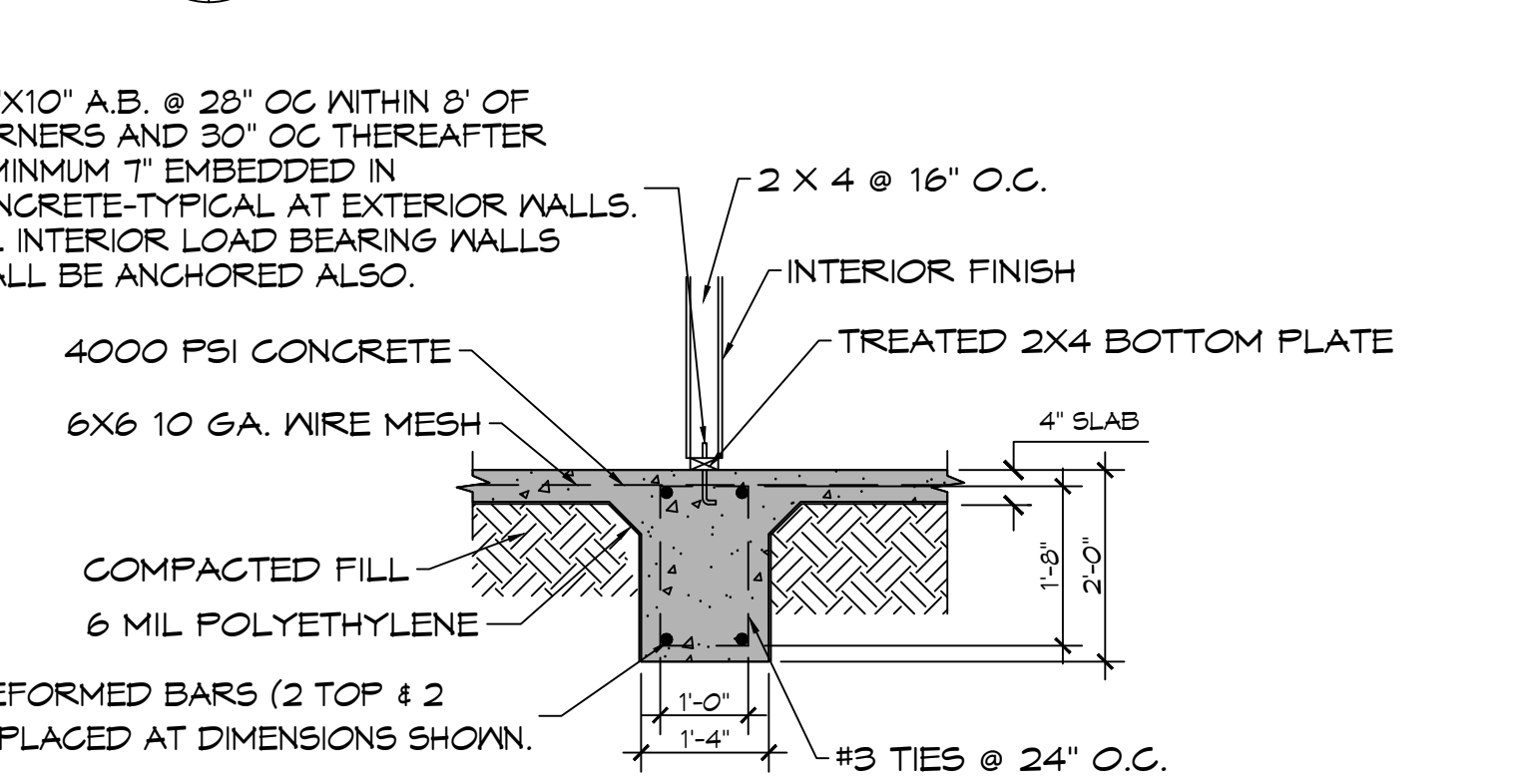
B EXTERIOR GRADE BEAM
SCALE: N.T.S.



C INTERIOR GRADE BEAM
SCALE: N.T.S.



D INTERIOR GRADE BEAM
SCALE: N.T.S.



E INTERIOR GRADE BEAM
SCALE: N.T.S.

FOUNDATION NOTES

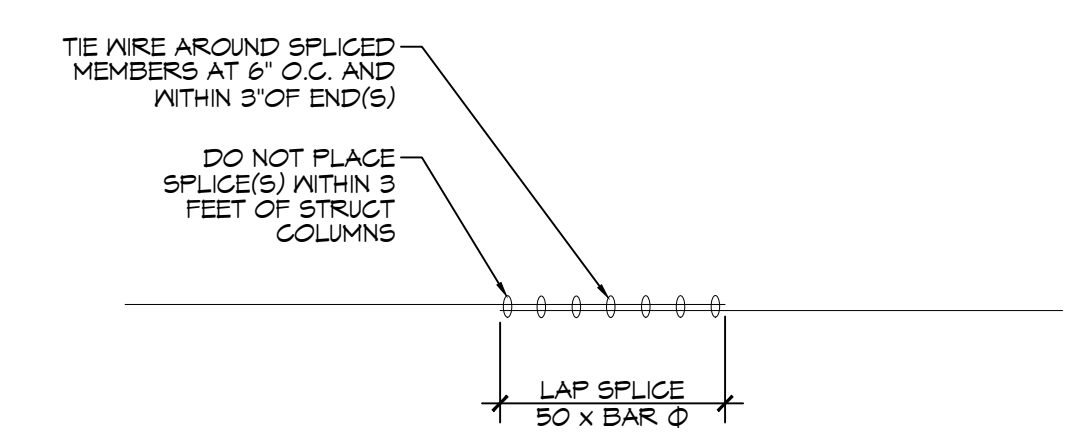
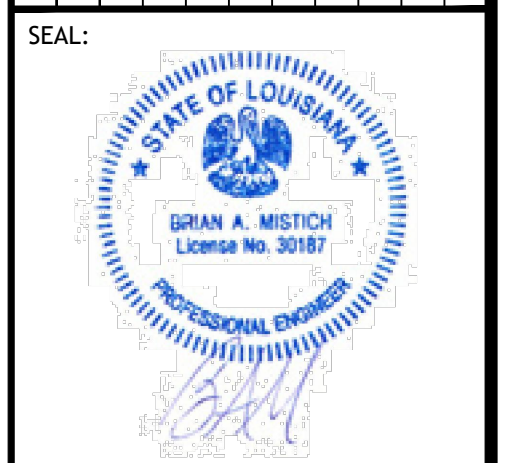
- ALL DIMENSIONS ARE EDGE OF CONCRETE (EOC) TO EDGE OF CONCRETE (EOC) UNLESS NOTED OTHERWISE.
- VERIFY ALL PLUMBING ROUGH-IN LOCATIONS ON ARCHITECTURAL DWGS.
- CONCRETE MIX SHALL HAVE A MINIMUM COMPRESSIVE STRENGTH OF 4000 PSI AT 28 DAYS. CONCRETE MIX SHALL BE IN ACCORDANCE WITH ACI-318.
- ALL CONVENTIONAL REINFORCING STEEL SHALL MEET ASTM-A615 (GRADE 60).
- TWO LAYER OF POLYETHYLENE VAPOR BARRIER SHALL BE PLACED UNDER ALL CONCRETE. VAPOR RETARDER TO BE MINIMUM 6 MIL THICKNESS; ASTM E 1745 CLASS A PERMEANCE LESS THAN 0.01 PERMS, EQUAL TO STEGO INDUSTRIES STEGO WRAP, EGOSHIELD-E 15 MIL BY EPRO, OR IRONBAR 15 BY FLATIRON FILMS. PROVIDE APPROPRIATE ACCESSORIES FOR A COMPLETE SYSTEM.
- ALL MESH SHALL BE SECURELY SUPPORTED TO PREVENT BOTH VERTICAL AND HORIZONTAL MOVEMENT DURING CONCRETE PLACEMENT.
- THE CONTRACTOR SHALL VERIFY ALL DROPS, OFFSETS, BRICK LEDGES, DIMENSIONS AND CONFIGURATIONS. CONTRACTOR MUST BE RESPONSIBLE FOR SAME. SEE ARCHITECTURAL DRAWINGS.
- FILL, AS A MINIMUM QUALITY, SHALL BE 40% CLAY AND 60% SANDY MIXTURE, PLACED IN 6" LIFTS AND COMPACTED TO A MINIMUM OF 95% STANDARD PROCTOR. FOOTINGS ARE DESIGNED TO USE SOIL WITH A BEARING PRESSURE OF 2000 LBS. PER SQUARE FOOT OR MORE. IT IS RECOMMENDED THAT THE OWNER VERIFY ALLOWABLE SOIL BEARING PRESSURE CAPACITY BY CONTRACTING THE SERVICES OF A SOILS ENGINEERING COMPANY.
- ALL SOIL BELOW SLAB SHALL RECEIVE TERMITE TREATMENT.

DESIGN CRITERIA

THE CONSTRUCTION FOR SAID RESIDENCE, WHERE WIND SPEED IS 140 MILES PER HOUR, AND V_{86d} WIND SPEED IS 130 MPH, WIND EXPOSURE ZONE C, IS DESIGNED IN ACCORDANCE WITH: AMERICAN FOREST AND PAPER ASSOCIATION (AF&PA) WOOD FRAME CONSTRUCTION MANUAL FOR ONE AND TWO FAMILY DWELLINGS (WFCM) 2001 EDITION AS WELL AS THE INTERNATIONAL RESIDENTIAL CODE (IRC) 2021 EDITION. STRUCTURE SHALL BE BUILT TO THE 2021 INTERNATIONAL ENERGY CONSERVATION CODE (2021 IECG) AND STATE AMENDMENTS ADOPTED JULY 1, 2023.

DAMMON ENGINEERING, INC.
LOUISIANA & MISSISSIPPI
www.dammonengineering.com
info@dammonengineering.com
PH: 985.649.5832
Chief Engineer: Brian Mistich, PE
554 Old Spanish Trail
Shreveport, LA 70458

REVISIONS	DATE
# DESCRIPTION	



REBAR SPLICE
SCALE: 1/2" = 1'-0"

NEW POOL HOUSE
ELI ST. JULIEN
57666 VINEYARD ROAD
SULPELL, LA 70460
JOB No.:
DATE: 04-01-2025
DRAWN BY: B.A.M.
CHECKED BY: C.K.D.
SHEET TITLE:
GARAGE FOUNDATION AND
FILING PLAN AND DETAILS

DRAWING NUMBER:
S101
SHEET No: 2 of 5

TABLE S601.7 - UPLIFT CONNECTIONS - 140 MPH WINDS EXP "B"
NFCM 2015 TABLE 3.2

CONNECTION	FRAMING SPACING (INCHES)	ROOF SPAN (FEET)	UPLIFT	LATERAL	SHEAR	NUMBER OF 8d COMMON NAILS OR 10d BOX NAILS IN EACH END OF 1-1/4" X 20 GAGE STRAP
ROOF ASSEMBLY TO WALL ASSEMBLY	16" OC	16	401	292	152R	4
WALL ASSEMBLY TO FOUNDATION	16" OC	16	224	219	436	4

TABLE S601.8 - SILL OR BOTTOM PLATE TO FOUNDATION CONNECTIONS RESISTING UPLIFT LOADS - 140 MPH WIND EXP "B"
NFCM 2015 TABLE 3.2C

BOTTOM PLATE TO FOUNDATION ANCHOR BOLT CONNECTION RESISTING	FOUNDATION SUPPORTING	MAXIMUM ANCHOR BOLT SPACING (INCHES)	
		8' END ZONES	INTERIOR ZONES
UPLIFT LOADS	1 - 3 STORIES	25 INCHES ON CENTER	30 INCHES ON CENTER

NOTE: A MINIMUM OF ONE ANCHOR BOLT SHALL BE PROVIDED WITHIN 6 TO 12 INCHES OF EACH END OF EACH PLATE

TABLE S601.9 - SILL OR BOTTOM PLATE TO FOUNDATION CONNECTIONS RESISTING SHEAR LOADS - 140 MPH WIND EXP "B"
NFCM 2015 TABLE 3.2B

BOTTOM PLATE TO FOUNDATION ANCHOR BOLT CONNECTION RESISTING	FOUNDATION SUPPORTING	MAXIMUM ANCHOR BOLT SPACING (INCHES)	
		5/8" Ø ANCHOR BOLTS	48 INCHES ON CENTER W/3X3X1/4" WASHER
UPLIFT LOADS	4 STORY		

TABLE S601.10 - FULL HEIGHT STUD REQUIREMENT FOR HEADERS OR WINDOW SILL PLATES IN EXTERIOR WALLS EXPOSURE "B"
NFCM 2015 TABLE 3.23C

HEADER SPAN (FEET)	WALL SPACING (INCHES)		
	12" O.C.	16" O.C.	24" O.C.
2	1	1	1
4	2	2	1
6	3	3	2
8	4	3	2

TABLE S601.5 - JACK STUD REQ - INT LOADBEARING WALLS

HEADER SUPPORTING	HEADER SPAN (FT)	ROOF SPAN (FEET)											
		12 FEET				24 FEET				36 FEET			
		3"	4.5"	5"	6.5"	3"	4.5"	5"	6.5"	3"	4.5"	5"	6"
ONE FLOOR ONLY (CENTER BEARING)	2	1	1	1	1	1	1	1	1	1	1	1	1
	4	1	1	1	1	1	1	1	1	1	1	1	1
	6	1	1	1	1	1	1	1	1	2	1	1	1
	8	1	1	1	1	2	1	1	1	2	2	2	1
	10	1	1	1	1	2	2	1	1	3	2	2	2
	12	1	1	1	1	2	2	2	1	3	2	2	2
TWO FLOORS (CENTER BEARING)	2	2	2	1	1	3	2	2	2	4	3	3	2
	4	1	1	1	1	2	1	1	1	3	2	2	2
	6	2	1	1	1	3	2	2	2	4	3	2	2
	8	2	2	1	1	3	2	2	2	5	3	3	3
	10	2	2	2	1	4	3	3	2	6	4	4	3
	12	3	2	2	2	5	3	3	3	7	5	4	4
14	3	2	2	2	6	4	4	3	8	5	5	4	
16	4	3	2	2	6	4	4	3	9	6	6	5	

TABLE S601.6 - JACK STUD REQ - EXTERIOR LOADBEARING WALLS
NFCM 2021 TABLE 3.22F

HEADER WIDTH - 3" (2-2x), 4.5" (3-2x), 5", 6.5" (4-2x) EACH 1/2" PLYWOOD SPACER BETWEEN	ROOF LIVE LOAD 20 PSF				ROOF LIVE LOAD 30 PSF			
	3"	4.5"	5"	6.5"	3"	4.5"	5"	6.5"
	NUMBER OF JACK STUDS REQUIRED							
ROOF AND CEILING	2	1	1	1	1	1	1	1
	4	1	1	1	1	1	1	1
	6	2	1	1	1	2	1	1
	8	2	2	2	1	2	2	1
	10	3	2	2	2	3	2	2
	12	3	2	2	2	3	2	2
ROOF, CEILING, AND ONE CENTER BEARING FLOOR	2	1	1	1	1	1	1	1
	4	2	1	1	1	2	1	1
	6	2	2	2	1	3	2	2
	8	3	2	2	2	3	2	2
	10	4	3	2	2	4	3	2
	12	4	3	3	2	5	3	3
14	5	4	3	3	5	4	3	
16	6	4	4	3	6	4	3	

TABLE S601.3 - NAILING SCHEDULE
NFCM 2015 TABLE 3.1

DESCRIPTION	NUMBER OF COMMON NAILS	NUMBER OF BOX NAILS	SPACING
HEADER TO HEADER (FACE NAILED)	16d	16d	16" OC EDGES

TABLE S601.4 - BUILDING ENVELOPE REQUIREMENTS

ROOFS	OPAQUE ELEMENTS	ASSEMBLY MAXIMUM	INSULATION MIN. R-VALUE
	INSULATION ENTIRELY ABOVE DECK	U-0.048	R-20.0 c.i.
WALLS, ABOVE GRADE	METAL BUILDING	U-0.065	R-19
	ATTIC AND OTHER	U-0.027	R-30
FLOORS	MASS	U-0.151	R-5.7 c.i.
	STEEL-FRAMED	U-0.113	R-19.0
SLAB-ON-GRADE	WOOD-FRAMED AND OTHER	U-0.124	R-19.0
	MASS	U-0.089	R-13.0
OPAQUE DOORS	STEEL JOIST	U-0.107	R6-3 c.i.
	WOOD FRAMED AND OTHER	U-0.052	R-19.0
SLAB-ON-GRADE	UN-HEATED	U-0.100	NR
	SWINGING	U-0.150	NR
SLAB-ON-GRADE	NON-SWINGING	U-0.1450	NR
	NON-SWINGING	U-0.1450	NR

METAL ROOF APPLICATION & FASTENING NOTES

1. INSTALL 26 GAUGE METAL ROOF PER MANUFACTURER'S RECOMMENDATIONS FOR 140 MPH WIND SPEED.

GENERAL UPLIFT CONNECTION NOTES

ROOF ASSEMBLY TO WALL ASSEMBLY: UPLIFT CONNECTIONS SHALL BE FROM RAFTER OR TRUSS TO WALL STUD. WHEN RAFTERS OR TRUSSES ARE NOT LOCATED DIRECTLY ABOVE STUDS, RAFTERS SHALL BE ATTACHED TO THE WALL PLATE AND THE WALL TOP PLATE SHALL BE ATTACHED TO THE WALL STUD WITH UPLIFT CONNECTIONS. UPLIFT CONNECTIONS SHALL BE IN ACCORDANCE WITH TABLE S601.10.

WALL ASSEMBLY TO WALL ASSEMBLY: STORY TO STORY UPLIFT CONNECTIONS FROM UPPER STORY WALL STUD TO LOWER STORY WALL STUD. WHEN UPPER STORY WALL STUDS ARE NOT LOCATED DIRECTLY ABOVE LOWER WALL STUDS, THE STUDS SHALL BE ATTACHED TO A COMMON MEMBER IN THE FLOOR ASSEMBLY BY UPLIFT CONNECTIONS. UPLIFT CONNECTIONS SHALL BE IN ACCORDANCE WITH TABLE S601.11.

WALL ASSEMBLY TO FOUNDATION: FIRST FLOOR WALL STUDS SHALL BE CONNECTED TO THE FOUNDATION, SILL PLATE, OR BOTTOM PLATE. A MINIMUM OF A 1-1/4" X 20 GA. ASTM A653 GRADE 55 STEEL STRAP SHALL BE NAILED TO THE WALL STUD AND HAVE A MINIMUM EMBEDMENT OF 1 INCHES IN CONCRETE FOUNDATIONS AND SLABS-ON-GRADE, 15 INCHES IN MASONRY BLOCK FOUNDATIONS, OR BE LAPPED UNDER THE BOTTOM PLATE, 3 INCH SQUARE WASHERS SHALL BE USED ON THE ANCHOR BOLTS AND ANCHOR BOLT SPACINGS SHALL NOT EXCEED THE REQUIREMENTS. STEEL STRAPS EMBEDDED IN OR IN CONTACT WITH SLAB-ON-GRADE OR MASONRY BLOCK FOUNDATIONS SHALL BE HOT-DIPPED GALV. AFTER FABRICATION, OR MANUF. FROM S105 OR S450 GALV. STL. CONNECTIONS SHALL BE IN ACCORDANCE WITH TABLE S601.12.

TABLE S601.1 - ROOF SHEATHING ATTACHMENT REQUIREMENT - WIND LOAD EXP "B"

SHEATHING LOCATION	RAFTER / TRUSS SPACING	E F	
		MAX NAIL SPACING FOR 8d COMMON NAILS OR 10d BOX NAILS (INCHES OC)	
INTERIOR ZONE	12" OC	6	12
	16" OC	6	12
	24" OC	6	12
PERIMETER EDGE ZONE	12" OC	6	6
	16" OC	4	4
	24" OC	3	3

TABLE S601.1 - WALL SHEATHING AND CLADDING REQUIREMENT - WIND LOAD EXP "B"

SHEATHING LOCATION	RAFTER / TRUSS SPACING	E F	
		MAX NAIL SPACING FOR 8d COMMON NAILS OR 10d BOX NAILS (INCHES OC)	
INTERIOR ZONE	12" OC	6	12
	16" OC	6	12
	24" OC	6	6
PERIMETER EDGE ZONE	12" OC	6	12
	16" OC	6	12
	24" OC	6	6

140 MPH WIND - EXPOSURE "B" TYPICAL
E = NAIL SPACING AT PANEL EDGES, INCHES.
F = NAIL SPACING AT INTERMEDIATE SUPPORTS IN THE PANEL FIELD, INCHES.

DESIGN CRITERIA

THE CONSTRUCTION FOR SAID RESIDENCE, WHERE WIND SPEED IS 140 MILES PER HOUR AND V₅₀ WIND SPEED IS 130 MPH, WIND EXPOSURE ZONE G, IS DESIGNED IN ACCORDANCE WITH: AMERICAN FOREST AND PAPER ASSOCIATION (AF&PA) WOOD FRAME CONSTRUCTION MANUAL FOR ONE AND TWO FAMILY DWELLINGS (WFCM) 2001 EDITION AS WELL AS THE INTERNATIONAL RESIDENTIAL CODE (IRC) 2021 EDITION. STRUCTURE SHALL BE BUILT TO THE 2021 INTERNATIONAL ENERGY CONSERVATION CODE (2021 IEC) AND STATE AMENDMENTS ADOPTED JULY 1, 2023.

DAMMON ENGINEERING, INC.
LOUISIANA & MISSISSIPPI

Chief Engineer: Brian M. Misch
554 Old Spanish Trail
Slidell, LA 70458
www.dammonengineering.com
info@dammonengineering.com
PH: 985-649-5832

STATE OF LOUISIANA
BRIAN A. MISCH
Louisia No. 30187
Professional Engineer

NEW POOL HOUSE

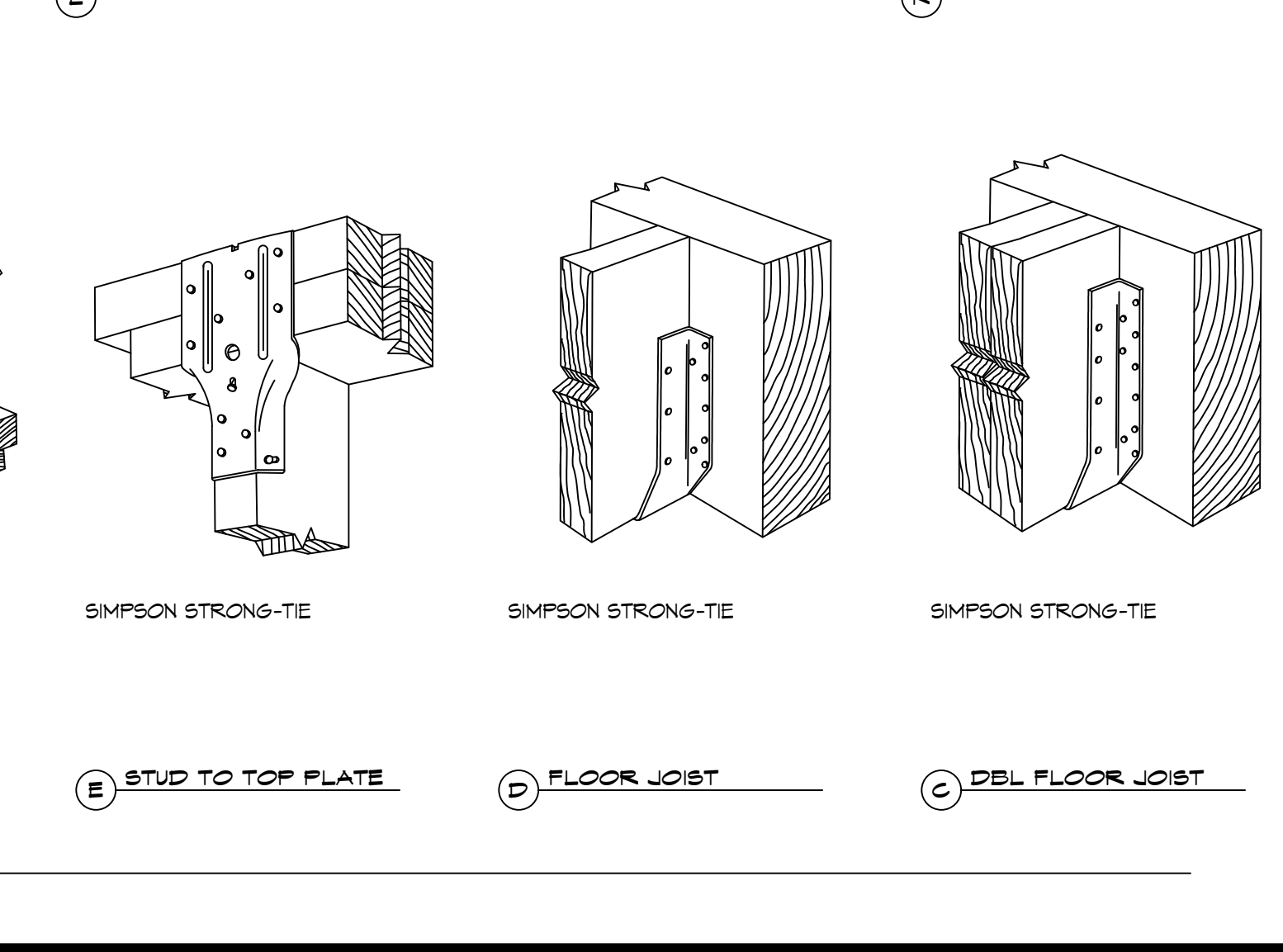
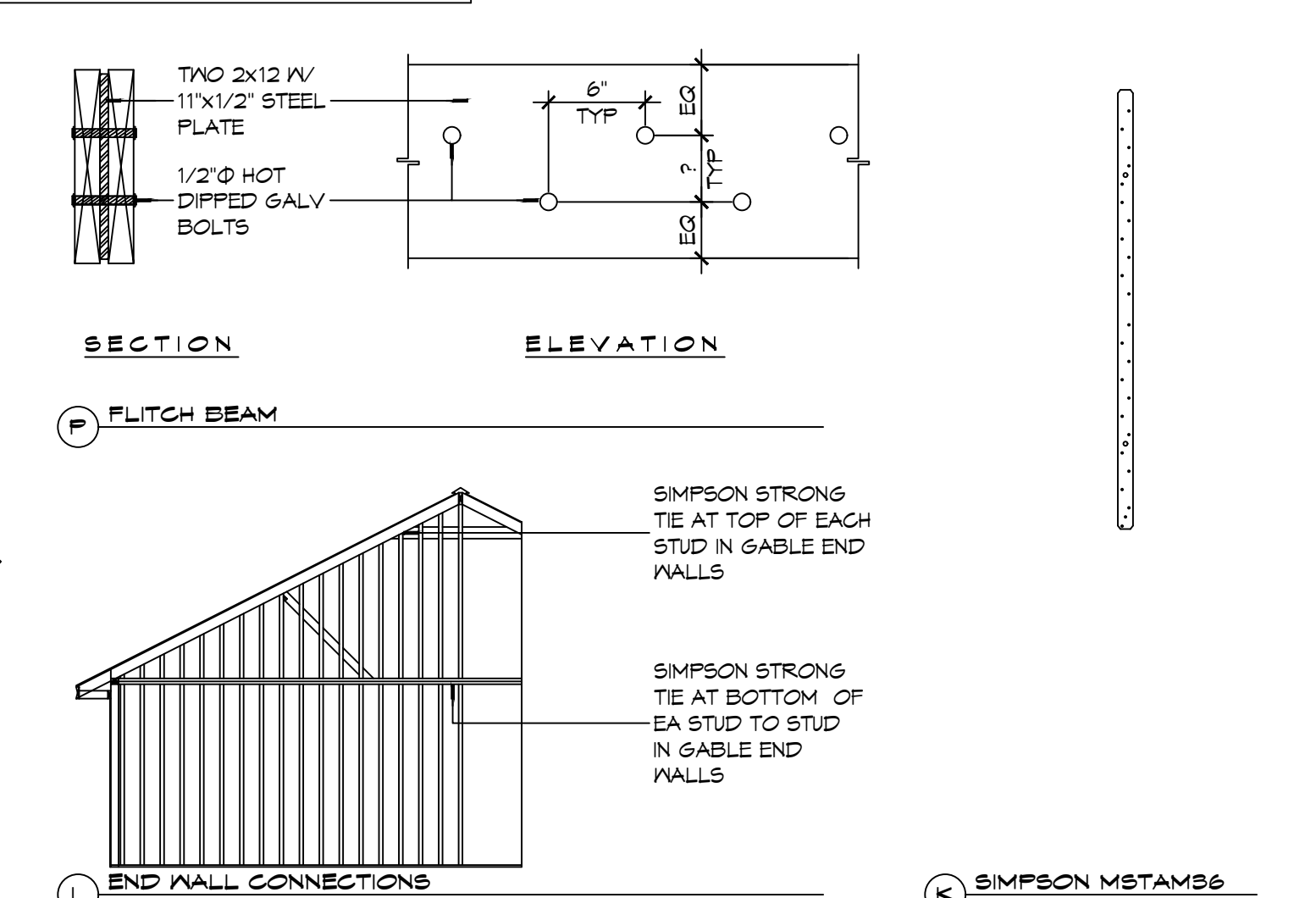
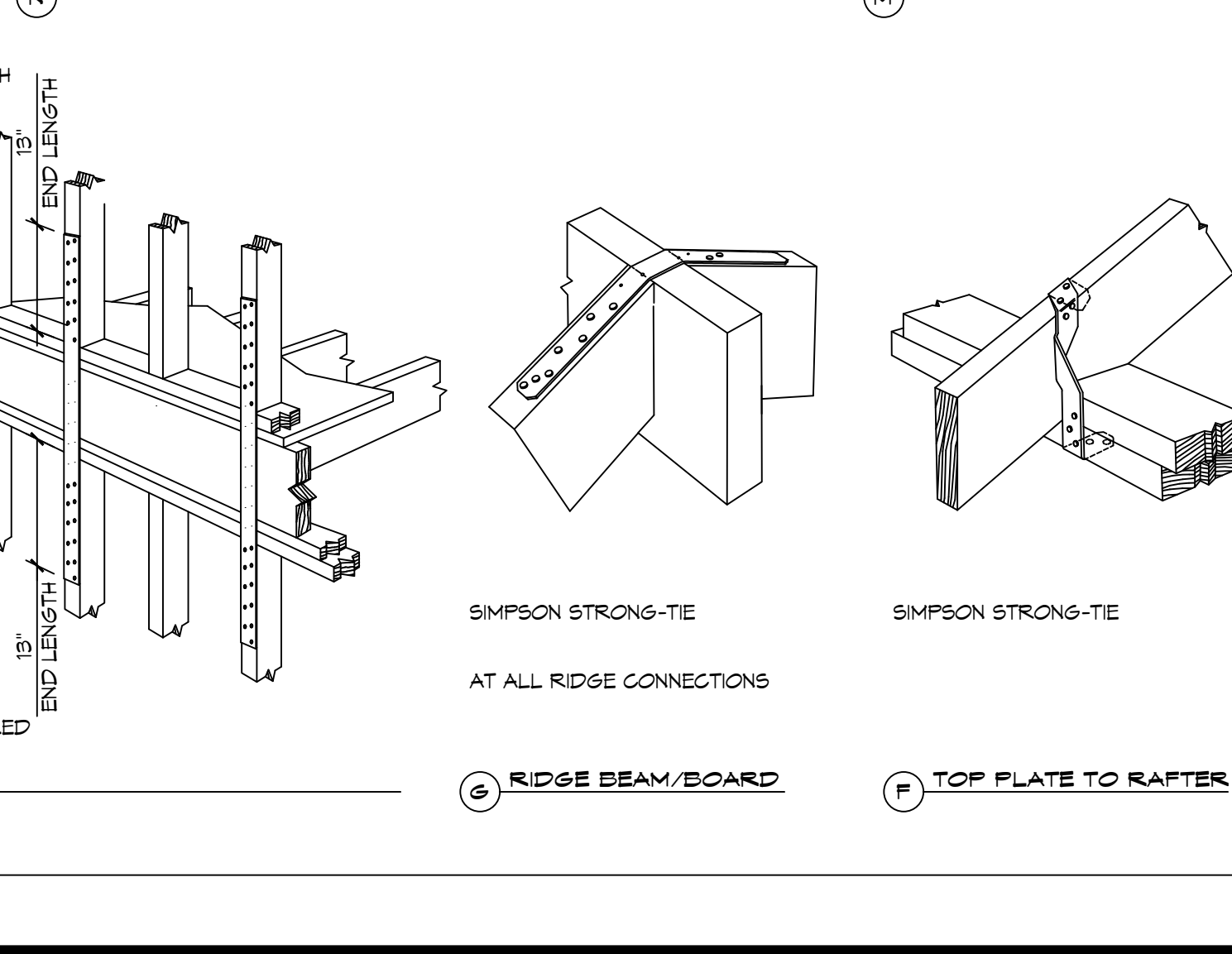
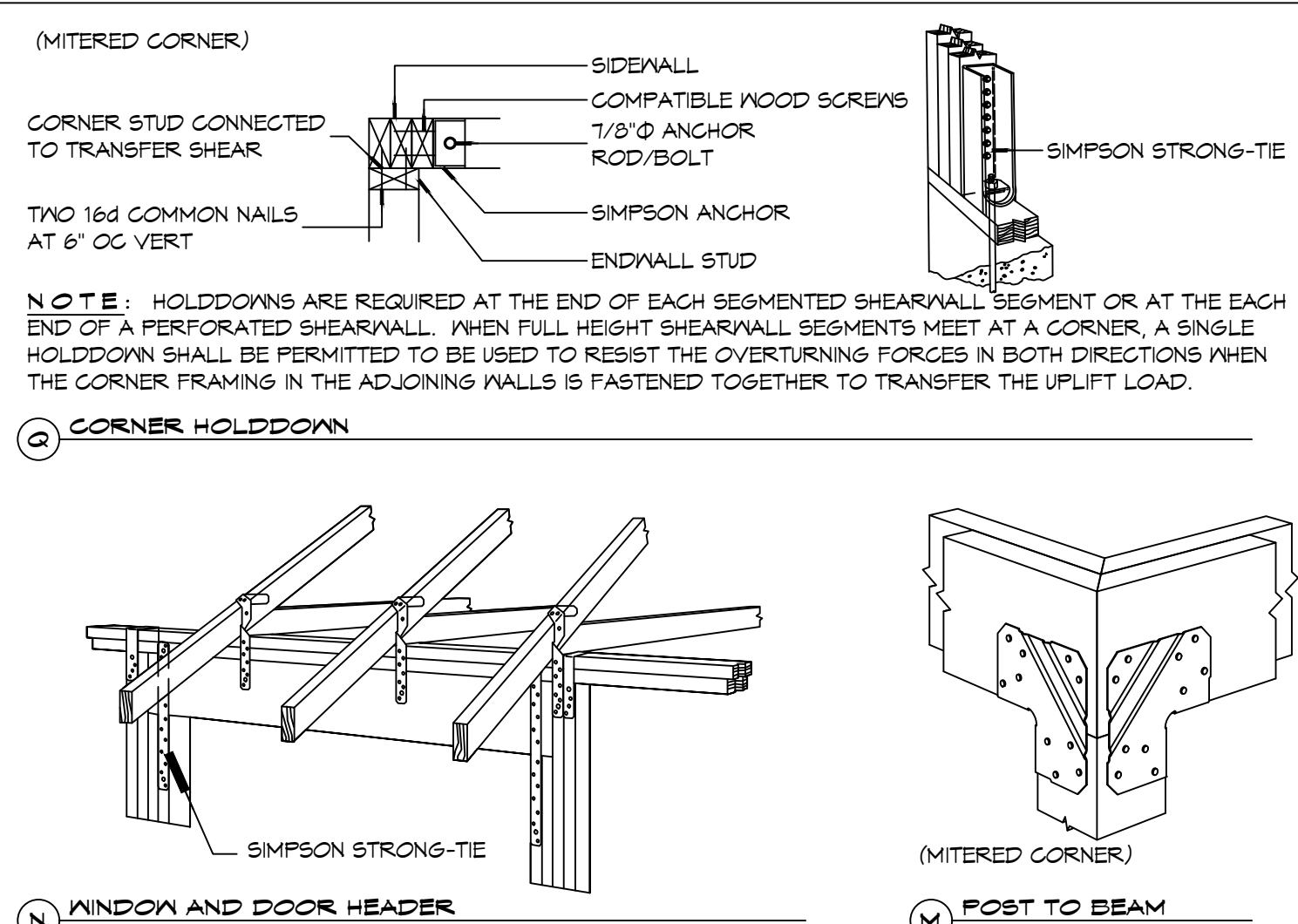
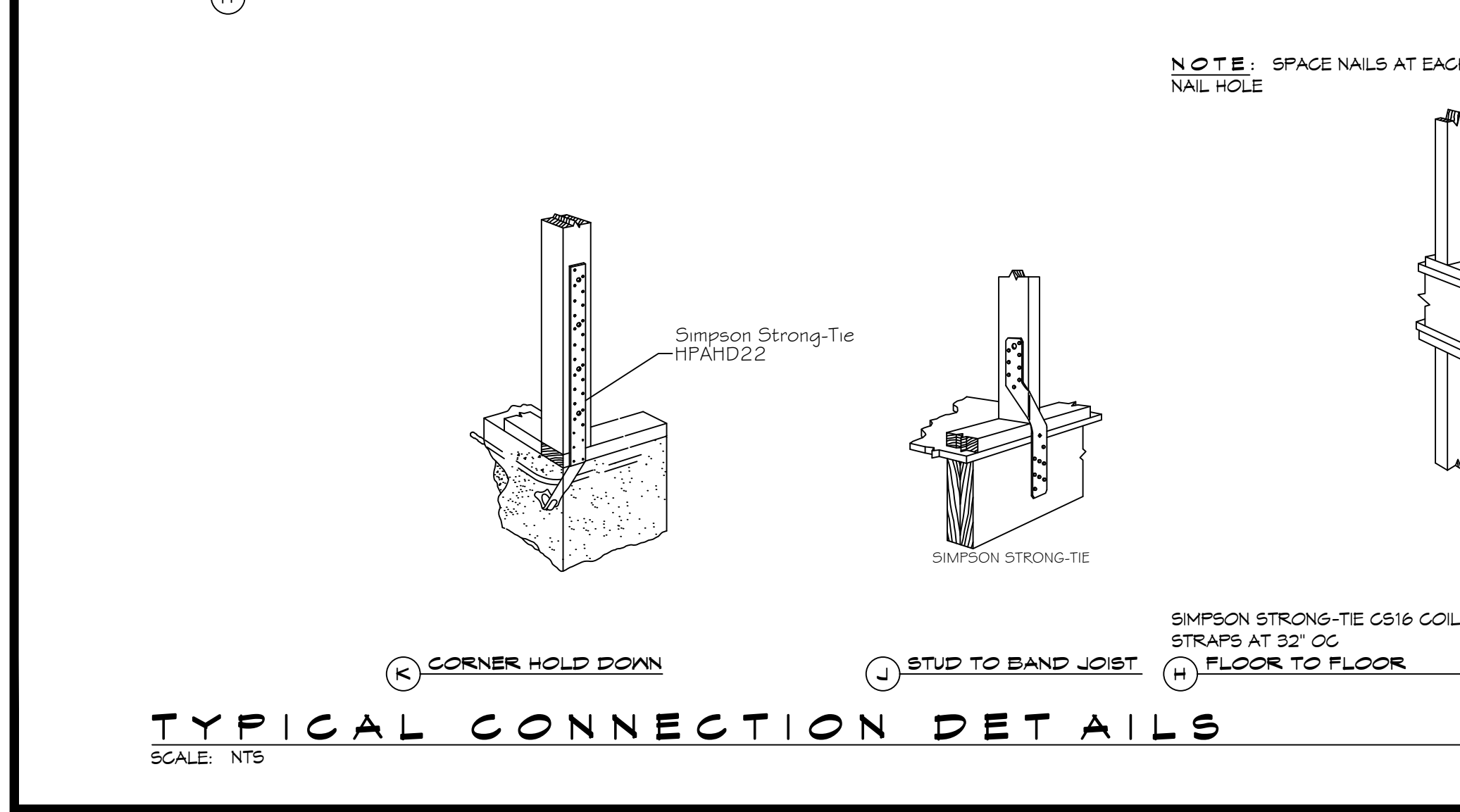
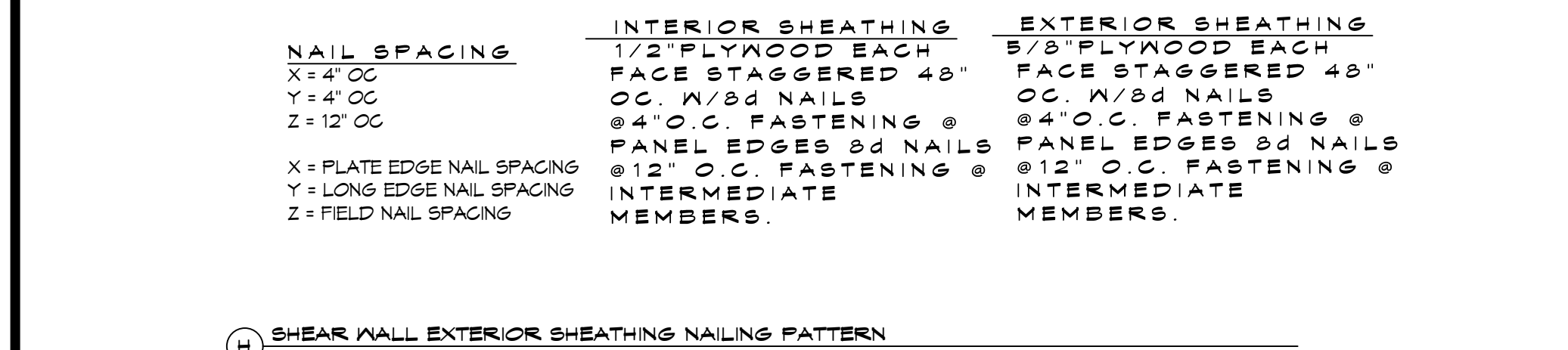
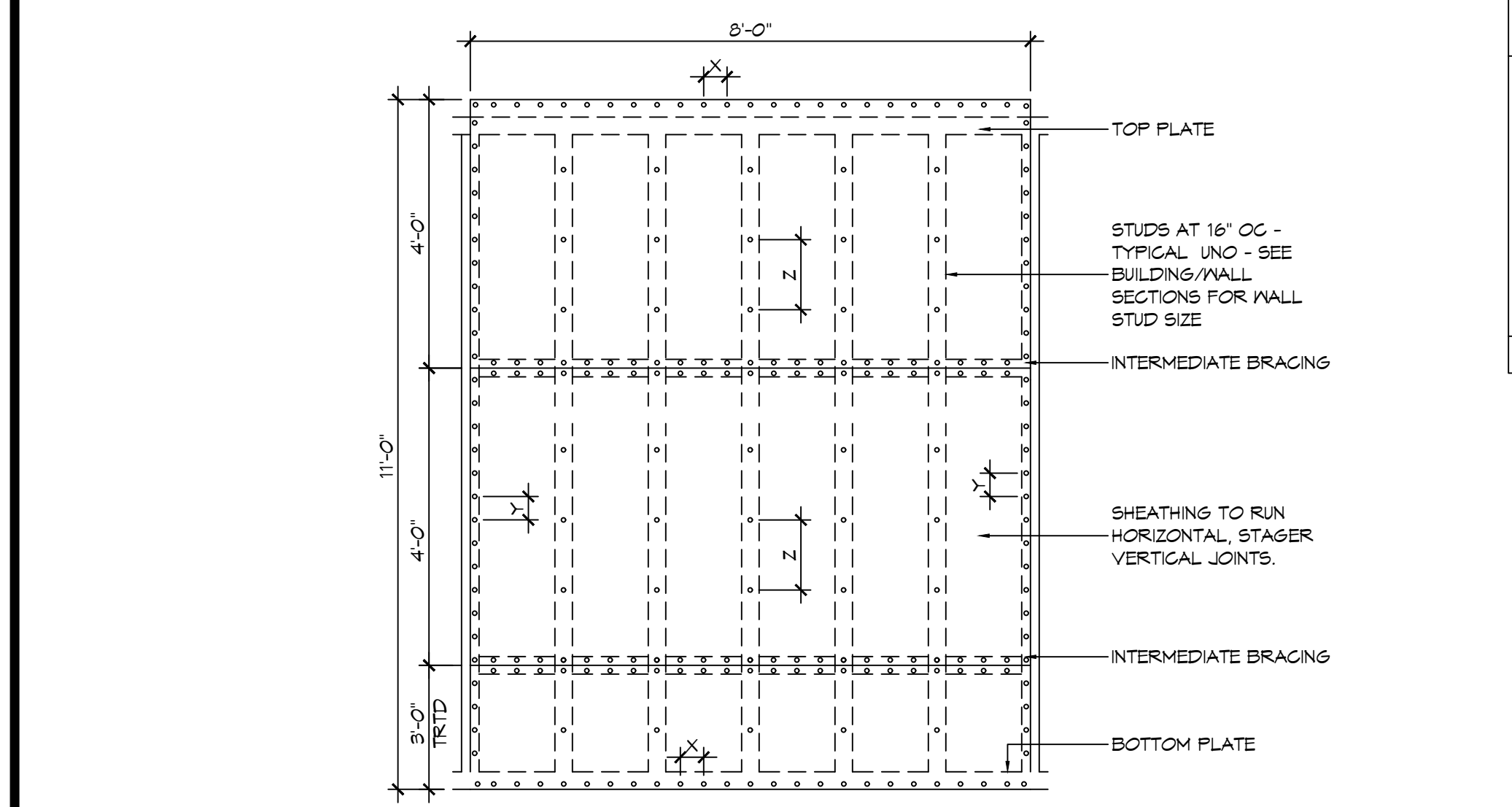
51656 WINGRA ROAD
SLIDELL, LA 70460

JOB No: 04-07-2025
DATE: 04-07-2025
DRAWN BY: CKD
CHECKED BY: BAK

SHEET TITLE: TYPICAL CONNECTION DETAILS, SCHEDULES, AND NOTES

DRAWING NUMBER: S103

SHEET No: 4 of 5



TYPICAL CONNECTION DETAILS
SCALE: NTS

