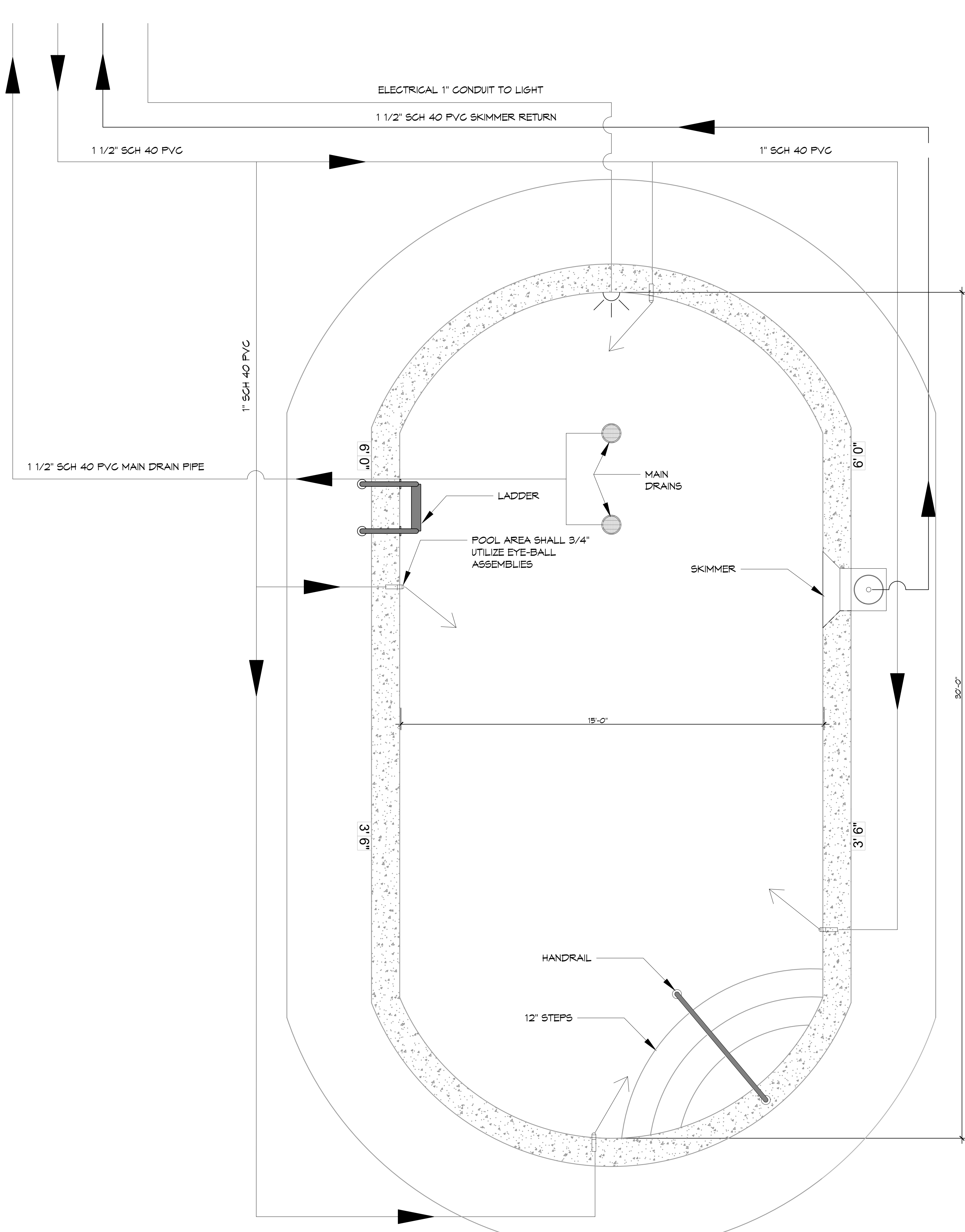
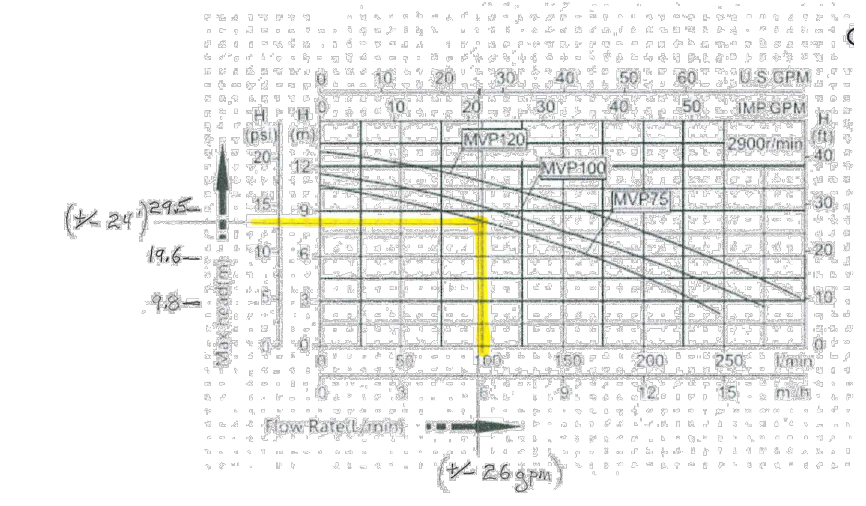
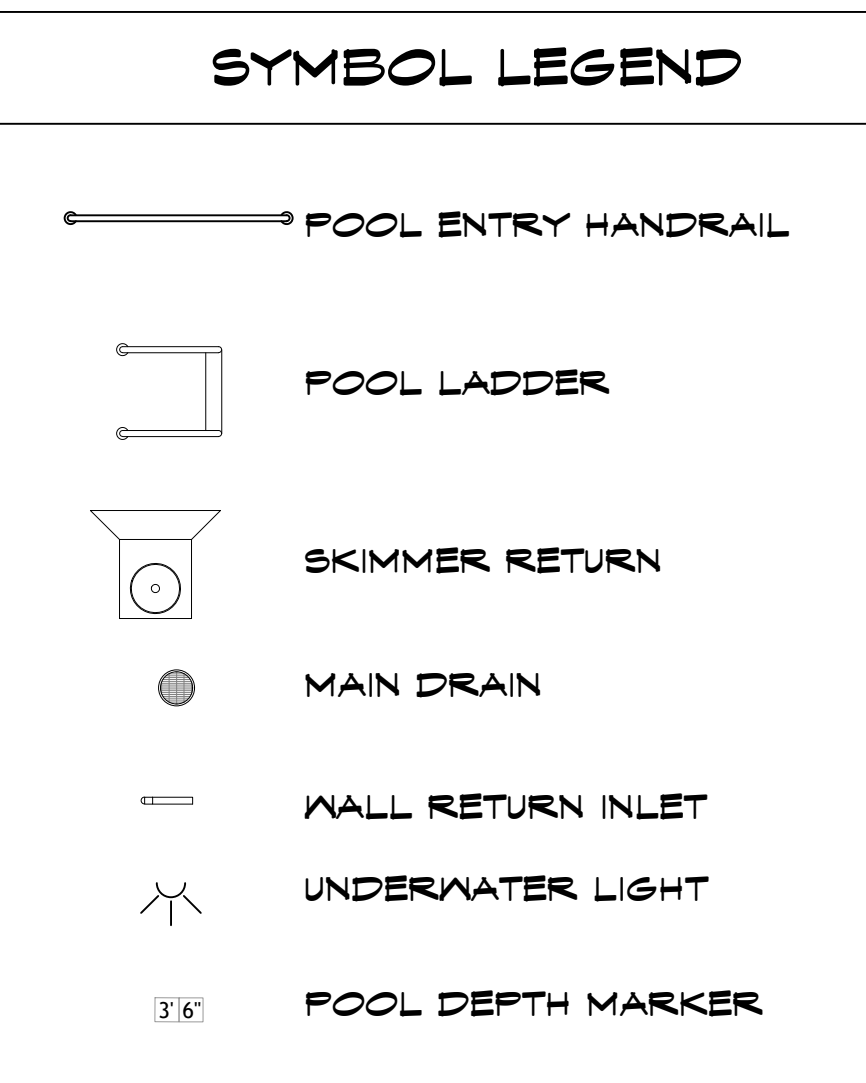


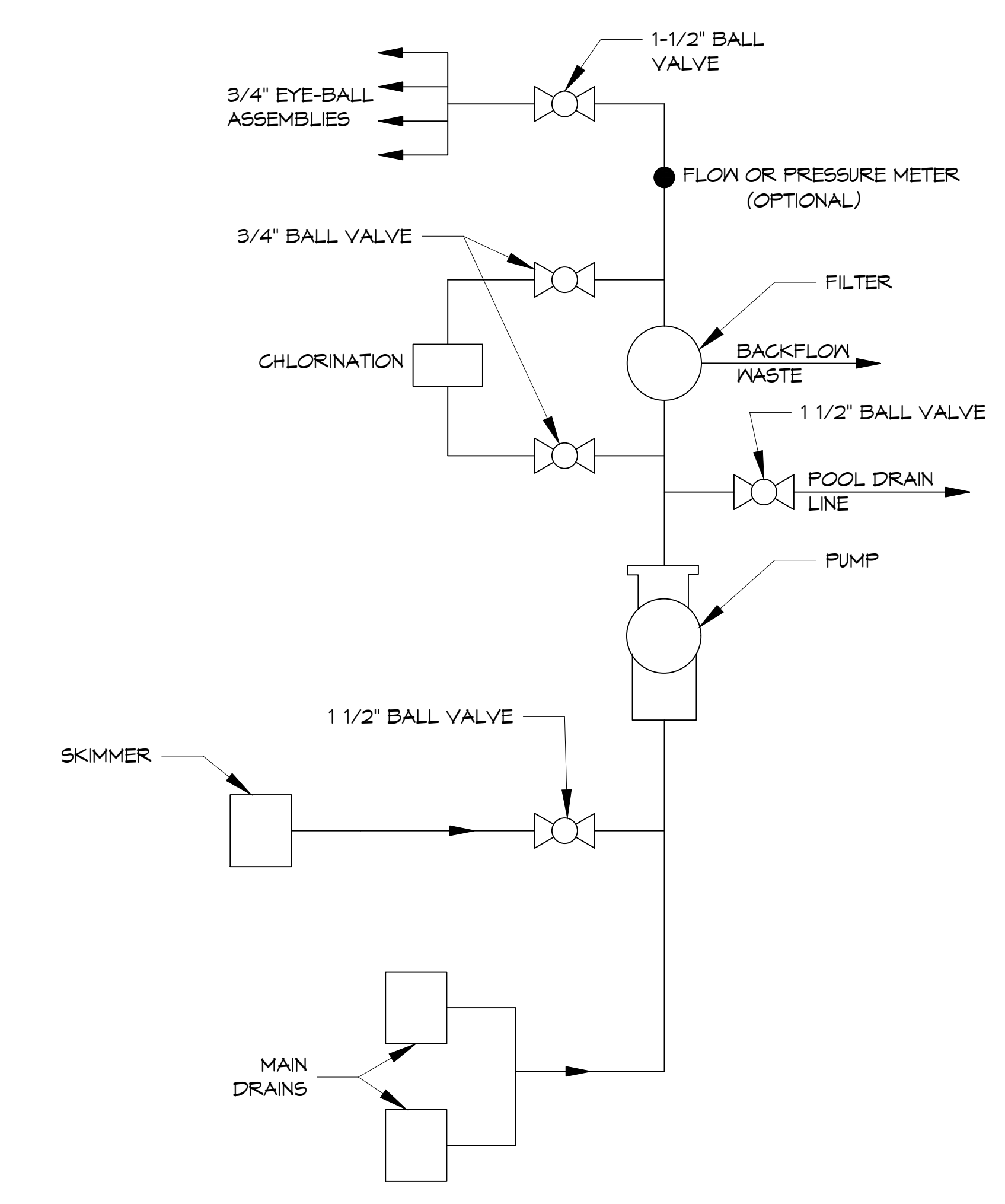
E:\AME - \Bates\Main\Sheet\Pool\Drawings\101 - Family Pool.dwg, DATE: 02/23/23, 11:12:14 AM
 PLOT: 02/23/23 11:12:14 AM, PLOTTER: HP DesignJet 4000, PLOT SCALE: 1/2"=1'-0"



LENGTH A = 30'-0"
 LENGTH B = 15'-0"
 DEPTH SHALLOW END 3'-6"
 DEPTH DEEP END 6'-0"
 AREA = 353.43
 PERIMETER 72.66
 VOLUME CUBIC FEET 1673.3
 WATER VOLUME US GALLONS 1255.8
 FOUR INLETS
 ONE SKIMMER
 TWO MAIN DRAINS
POOL STATS
 SCALE: N.T.S.



- ### GENERAL NOTES
- ALL POOL STEP CORNERS OF THE TREADS SHALL RECEIVE A 1" ROUNDED EDGE WITH 2"x2" DARK CONTRASTING TILE.
 - FRESH WATER SUPPLY LINE IS TO BE PROVIDED TO THE AUTO-FILL SUPPLY LINE.
 - ALL REQUIRED POWER SUPPLIES FOR THE ELECTRICAL EQUIPMENT NEEDED TO OPERATE THE POOL SHALL BE PROVIDED IN ACCORDANCE WITH ALL APPLICABLE LOCAL AND NATIONAL CODES AND GUIDELINES.
 - A HOSE BIBB WITH VACUUM BREAKER SHALL BE PROVIDED FOR WASHING THE POOL DECK.
 - HAND RAILS SHALL MEET LOCAL AND NATIONAL CODES.
 - LADDERS SHALL MEET LOCAL AND NATIONAL CODES.
 - POOL INLETS SHALL DISCHARGE 10" TO 15" BELOW POOL OVERFLOW.
 - THE POOL PLASTER SHALL BE WHITE PLASTER.
 - THE CIRCULATION SYSTEM PIPING, OTHER THAN THAT INTEGRALLY INCLUDED IN THE MANUFACTURE OF THE POOL, SHALL BE HYDRAULICALLY PRESSURE TESTED (SEALED SYSTEM) AT 25 POUNDS PER SQUARE INCH (PSI) FOR 30 MINUTES AND INSPECTED FOR APPROVAL BEFORE BACKFILLING OF ANY TRENCHES OR COVERING OF ANY PIPE.
 - DECK SLOPE SHALL BE 1/8" MINIMUM TO 1/4" MAXIMUM. A SLIP RESISTANT SHALL BE APPLIED TO THE SUNDECK.
 - THE DEEP END OF THE POOL SHALL BE FURNISHED WITH A LADDER/RAIL ASSEMBLY WITH THREE LADDER RUNGS TO FACILITATE A SECOND ENTRY FOR THE POOL PER CODE. THE LADDER ASSEMBLY SHALL BE OF STAINLESS STEEL AND PROVIDE TWO HANDRAILS WHICH SHALL MAINTAIN A CLEARANCE OF 3" TO 6" FROM THE POOL WALL AND THE LADDER EDGE. THE CLEAR DISTANCE BETWEEN THE LADDER RAILS SHALL BE BETWEEN 17" AND 24". THERE SHALL BE A UNIFORM HEIGHT BETWEEN LADDER TREADS WITH A 1" TO 12" DISTANCE IN BETWEEN EACH TREAD. LADDER TREADS SHALL HAVE A MINIMUM HORIZONTAL DISTANCE OF 15 INCHES.
 - ALL POOL EQUIPMENT, POOL MATERIALS, DISINFECTION EQUIPMENT AND CHEMICAL FEEDERS SHALL BE COMPLIANT WITH NSF50. CHEMICAL FEEDERS HEREINAFTER REFERRED TO JOINTLY AS "EQUIPMENT" SHALL COMPLY WITH THE REQUIREMENTS OF NSF 50 STANDARD. THE DISINFECTION EQUIPMENT SHALL BE CAPABLE OF PRECISELY INTRODUCING A SUFFICIENT QUANTITY OF AN APPROVED DISINFECTING AGENT TO MAINTAIN THE APPROPRIATE RECOMMENDED GUIDELINES REQUIRING CONCENTRATIONS.
 - ALL INLETS ARE TO BE 3/4" EYE-BALL ADJUSTABLE DIRECTIONAL FLOW INLET TYPE, AND ARE LOCATED IN THE QUANTITIES SHOWN AS PER THE PLANS.
 - THE TWO MAIN DRAIN SUMP AND GRATE ASSEMBLIES SHALL BOTH HAVE A DARK GREY SEAT RING.
 - POOL SHALL HAVE A 4' CONCRETE DECK SURROUNDING THE ENTIRE POOLS.
 - MAIN DRAIN COVERS SHALL BE VGB COMPLIANT. DRAIN COVER TO BE FOUR TIMES THE DIAMETER OUTLET PIPE.



2 POOL SCHEMATIC
SCALE: N.T.S.

1 FAMILY POOL LAYOUT
SCALE: 1/2"=1'-0"

DAMMON ENGINEERING, INC.

LOUISIANA & MISSISSIPPI

Chief Engineer: Brian Michich, PE
 554 Old Spanish Trail
 Slidell, LA 70458
 www.dammonengineering.com
 info@dammonengineering.com
 PH: 985.649.5832

REVISIONS	DATE	DESCRIPTION

SEAL:

NEW POOL
ED GOBONS FARM
AGAPE AGRICULTURE

JOB No: 2023 DATE: 02-01-23
 DRAWN BY: CKD CHECKED BY: BAM

SHEET TITLE:
 FAMILY POOL LAYOUT

DRAWING NUMBER:
P101

SHEET No: 1 of 1