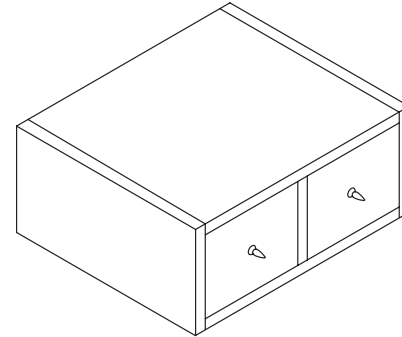


FEATURES

- 14" x 11-3/4" x 6"
- Select hard maple, both solids and veneers
- Removable drawers for increased functionality
- Modular system allows creativity and flexibility with design layout



CODES/STANDARDS APPLICABLE

Specified model meets or exceeds the following:

- None applicable

COLORS/FINISHES

- F1 Sunwash
- F2 Black Forest

Accessories:

- T6 Ironstone White
- T7 Solar Black
- T8 Shell Beach
- T9 Loam Grey
- ST Stainless Steel

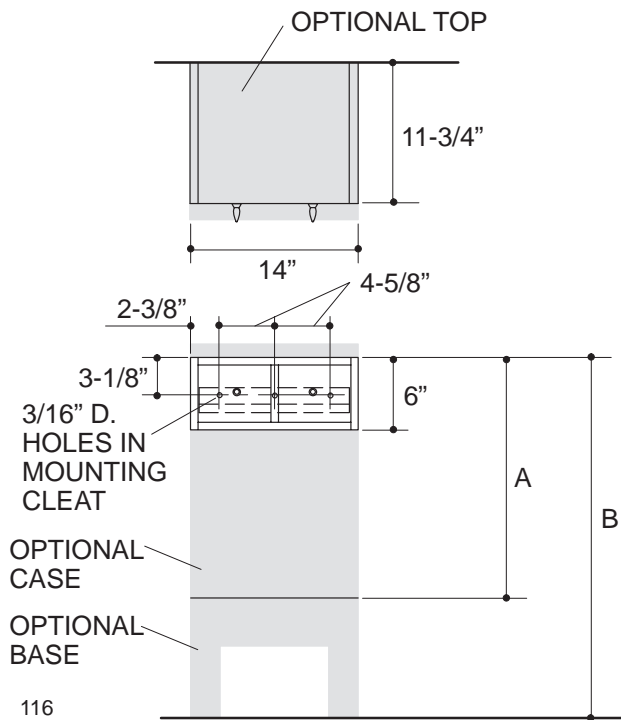
SPECIFIED MODEL:

Model	Description	Module Colors/Finishes	
		<input type="checkbox"/> F1	<input type="checkbox"/> F2
K-3111	Case drawer	<input type="checkbox"/> F1	<input type="checkbox"/> F2

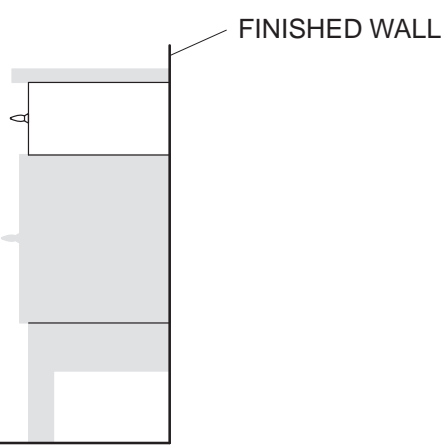
Optional Accessories			
K-3108	Storage case (14" high)	<input type="checkbox"/> F1	<input type="checkbox"/> F2
K-3107	Storage case (31" high)	<input type="checkbox"/> F1	<input type="checkbox"/> F2
K-3109	4-legged base	<input type="checkbox"/> F1	<input type="checkbox"/> F2
K-3110	2-legged base	<input type="checkbox"/> F1	<input type="checkbox"/> F2
K-3045	Case top (14" x 13")	<input type="checkbox"/> T6	<input type="checkbox"/> T7 <input type="checkbox"/> T8 <input type="checkbox"/> T9 <input type="checkbox"/> ST

PRODUCT SPECIFICATION:

The case drawer shall be 14" in length, 11-3/4" in width and 6" in height. Case drawer shall be made of select hard maple, both solids and veneers. Case drawer shall have removable drawers. Case drawer shall be Kohler Model K-3111-_____.



Roughing-In Notes		
	A	B
With 14" high storage case	20"	
With 31" high storage case	37"	
With 14" high storage case and base		30"
With 31" high storage case and base		47"



116

PRODUCT DIAGRAM