

Ordering Information

Accessories/hardware:		
Drain	K-7161-AF	recommended

Product Information

Fixture*:	basin area	top area	weight
Bathing well	43" x 28"	52" x 32"	165 lbs.
	water depth	capacity	
To overflow	13"	55 gals.	
* Approximate measurements for comparison only.			

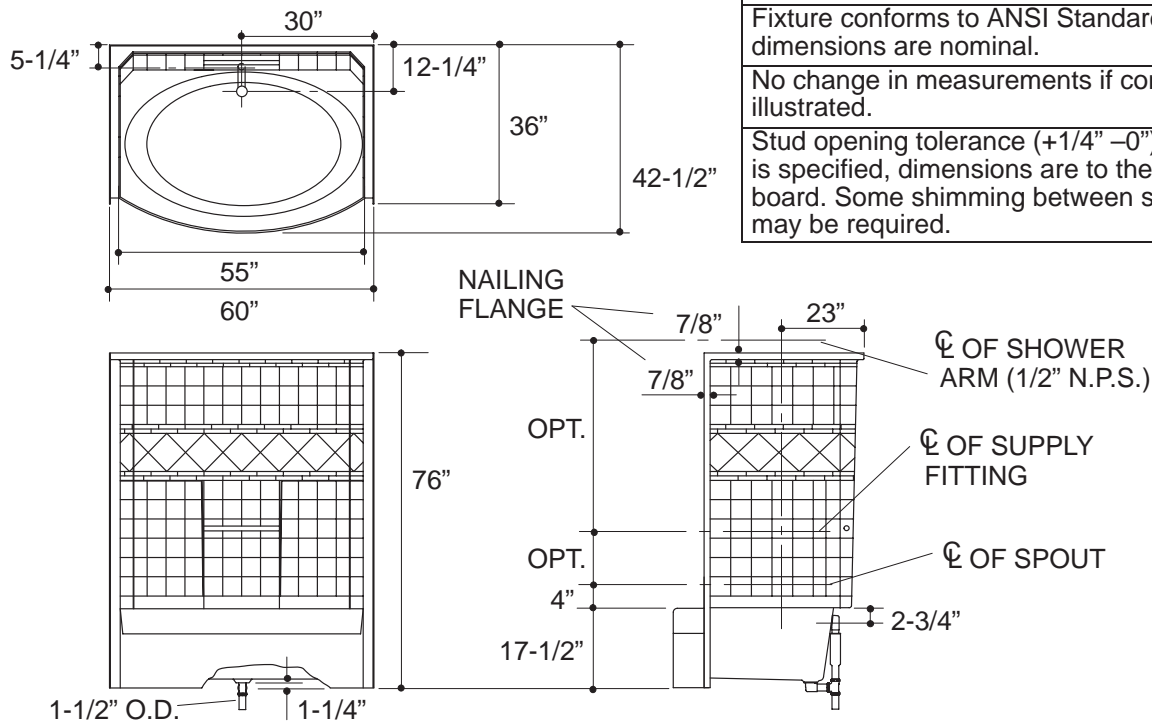
Installation Notes

Refer to installation instructions included with fixture before beginning installation.

Position the valving and shower fittings where they will compliment the tile-wall appearance of the module.

Fixture not drilled for supply fittings.

Shimming may be required to level fixture.



Roughing-In Notes

Fixture conforms to ANSI Standard Z124.2. All dimensions are nominal.

No change in measurements if connected with drain illustrated.

Stud opening tolerance (+1/4" -0"). When fire rated wall is specified, dimensions are to the inside of the wall board. Some shimming between stud frame and fixture may be required.

.55<132