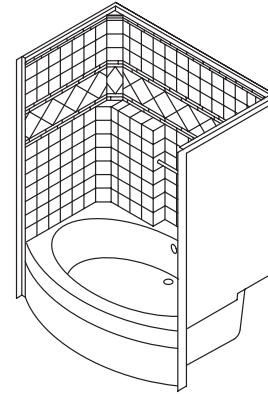


FEATURES

- 60" x 42-1/2" x 76"
- Fiberglass (FRP)
- Tile-look walls
- Acrylic grab bar
- Integral soap ledges
- Center outlet
- Spacious oval bathing well
- Stylish round apron front
- Molded-in floor texture



CODES/STANDARDS APPLICABLE

Specified model meets or exceeds the following:

- ANSI Z124.2
- IAPMO/UPC
- Canadian Standards Association (CSA)

COLORS/FINISHES

- 0 White
- Other Refer to Fixtures Price Book for additional colors

Accessories:

- CP Polished Chrome
- PB Polished Brass
- Other Refer to Faucets Price Book for additional finishes

SPECIFIED MODEL:

Model	Description	Colors/Finishes		
K-1637	Bath and shower module	<input type="checkbox"/> 0 White	<input type="checkbox"/> Other_____	
Recommended Accessories				
K-7161-AF	Drain	<input type="checkbox"/> CP	<input type="checkbox"/> PB	<input type="checkbox"/> Other_____

PRODUCT SPECIFICATION:

The bath and shower module shall be 60" in length, 42-1/2" in width, and 76" in height. Bath and shower module shall be made of fiberglass (FRP). Bath and shower module shall have tile-look walls. Bath and shower module shall have acrylic grab bar. Bath and shower module shall have integral soap ledges. Bath and shower module shall have center outlet. Bath and shower module shall have spacious oval bathing well. Bath and shower module shall have stylish round apron front. Bath and shower module shall have molded-in floor texture. Bath and shower module shall be Kohler Model K-1637-_____.

TERRACINA

PRODUCT INFORMATION

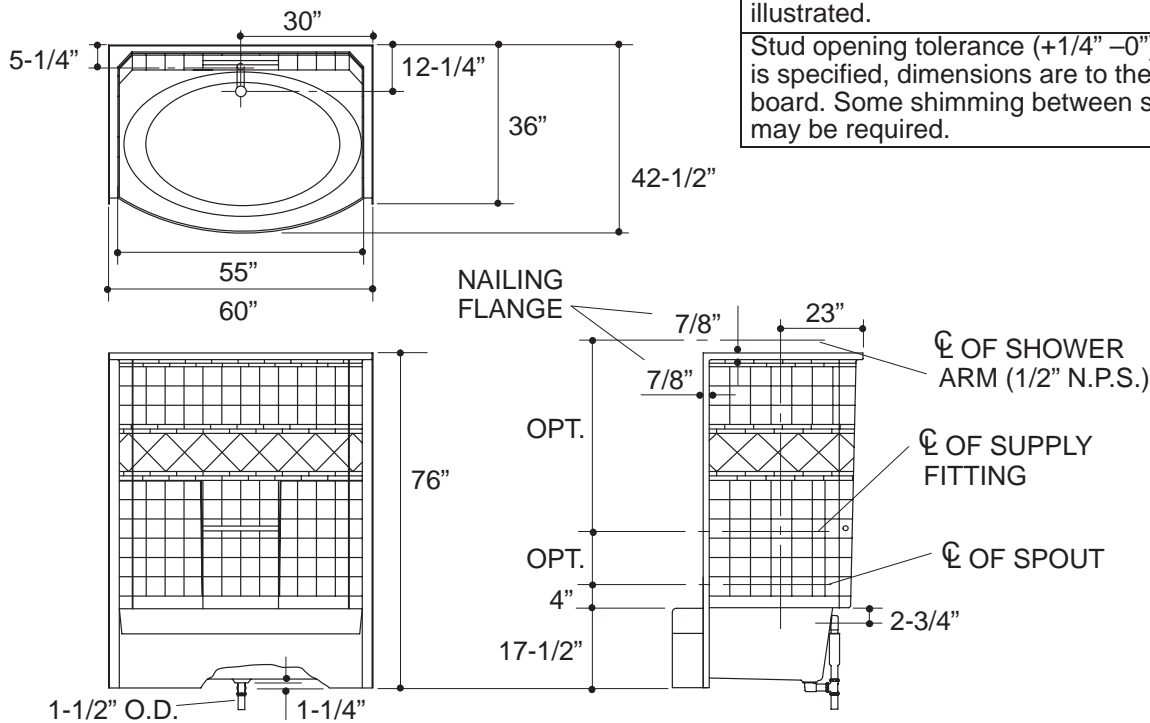
Fixture*:	basin area	top area	weight
Bathing well	43" x 28"	52" x 32"	165 lbs.
	water depth	capacity	
To overflow	13"	55 gals.	
* Approximate measurements for comparison only.			

INSTALLATION NOTES

Position the valving and shower fittings where they will compliment the tile-wall appearance of the module.

Fixture not drilled for supply fittings.

Shimming may be required to level fixture.



Roughing-In Notes

No change in measurements if connected with drain illustrated.

Stud opening tolerance (+1/4" -0"). When fire rated wall is specified, dimensions are to the inside of the wall board. Some shimming between stud frame and fixture may be required.

PRODUCT DIAGRAM