

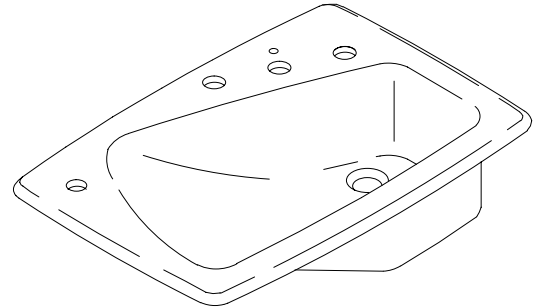
FEATURES

- 28" x 19"
- Vitreous china
- Self-rimming
- 8" centers for swing spout faucet and spray
- With overflow
- With sealant

CODES/STANDARDS APPLICABLE

Specified model meets or exceeds the following:

- ASME/ANSI A112.19.2M
- IAPMO/UPC
- Canadian Standards Association (CSA)
- State of Massachusetts



COLORS/FINISHES

- 0 White
- Other Refer to Fixtures Price Book for additional colors

Accessories:

- CP Polished Chrome
- Other Refer to Faucets Price Book for additional finishes

SPECIFIED MODEL:

Model	Description	Colors/Finishes	
K-2170-8S	8" centers lavatory for swing spout and spray	<input type="checkbox"/> 0 White	<input type="checkbox"/> Other_____
Required Accessories			
K-6956-2	Alterna™ lavatory faucet OR	<input type="checkbox"/> CP	<input type="checkbox"/> Other_____
K-6249-4	Flair lever lavatory faucet OR	<input type="checkbox"/> CP	<input type="checkbox"/> Other_____
K-7449-K	Triton™ / Finesse™ / Flair™ Acrylic lavatory base faucet*	<input type="checkbox"/> CP	<input type="checkbox"/> Other_____
* Requires handle kit.			
Recommended Accessories			
K-8998	Trap	<input type="checkbox"/> CP	<input type="checkbox"/> Other_____

PRODUCT SPECIFICATION:

The self-rimming countertop lavatory shall be 28" in length, and 19" in width. Lavatory shall be made of vitreous china. Lavatory shall have 8" centers for swing spout faucet with spray. Lavatory shall have overflow. Lavatory shall include sealant. Lavatory shall be Kohler Model K-2170-_____-_____.

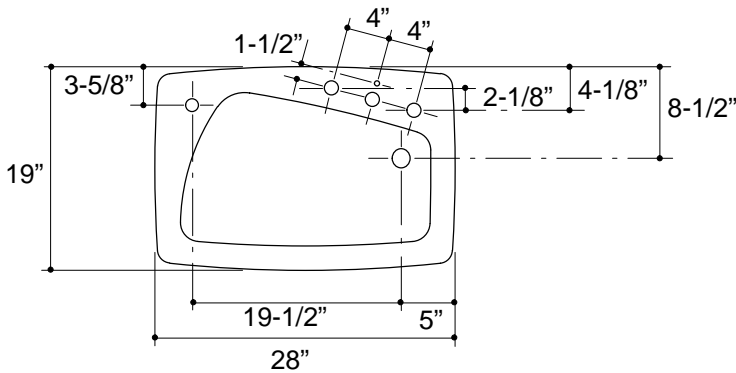
LADY VANITY™

PRODUCT INFORMATION

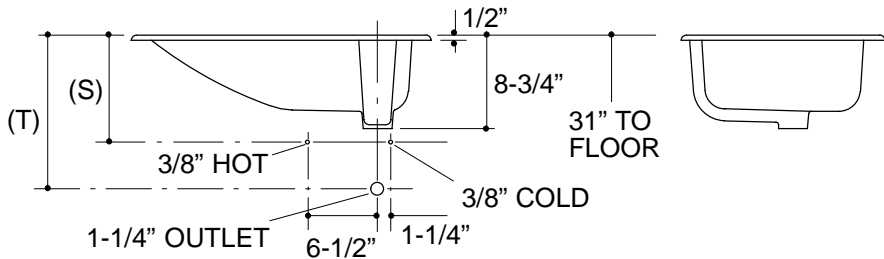
Fixture*:		basin area	water depth
Lavatory		23" x 14"	5-1/4"
Outlet	1-3/4" D.		
* Approximate measurements for comparison only.			

Holes	K-2170-8S		
Spout	1-3/8" D.		
Faucet	1-3/8" D.		
Lift rod	9/16" D.		
Soap dispenser	1-1/4" D.		

Included Components:	
Adhesive sealant	63034
Cutout template	101090



Roughing-In Notes
(T) Pop-up 14-3/8".
(S) 10" (Based on 12" riser which may require cutting).



.9>116

PRODUCT DIAGRAM