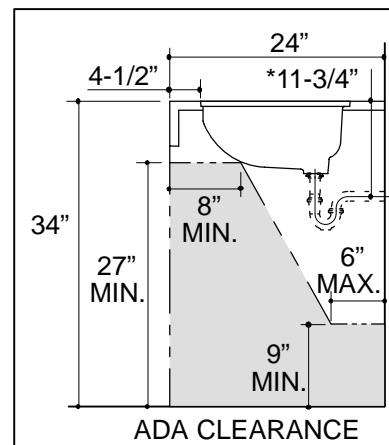
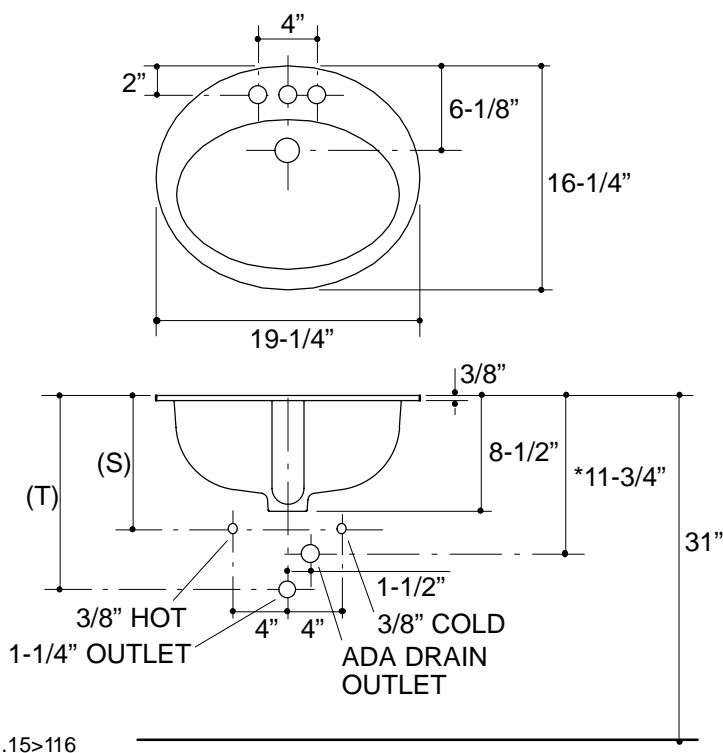


Ordering Information

Applicable product:		
4" centers lavatory	K-2900-4	shown
Accessories/hardware:		
Metal frame	K-6683	required
Trap	K-8998	recommended

Product Information

ADA compliant.			
Fixture*:		basin area	water depth
Lavatory		16" x 11"	5"
Outlet	1-11/16" D.		
* Approximate measurements for comparison only.			
Holes	K-2900-4		
Spout	1-1/8" D.		
Faucet	1-3/16" D.		
Included Components:			
Overflow ferrule			44071



Roughing-In Notes

Fixture dimensions are nominal and conform to tolerances in ASME/ANSI Standard A112.19.1M.

*Based on K-8998, with 1" of tailpiece exposed.

(T) Pop-up drain 14-1/8", grid drain 13-1/4".

(S) 10" (Based on 12" riser which may require cutting).

Cutout metal frame required.

1.15>116

K-2900 Farmington™ Lavatory
105066-1-CA (-)

KOHLER®