

K-6848

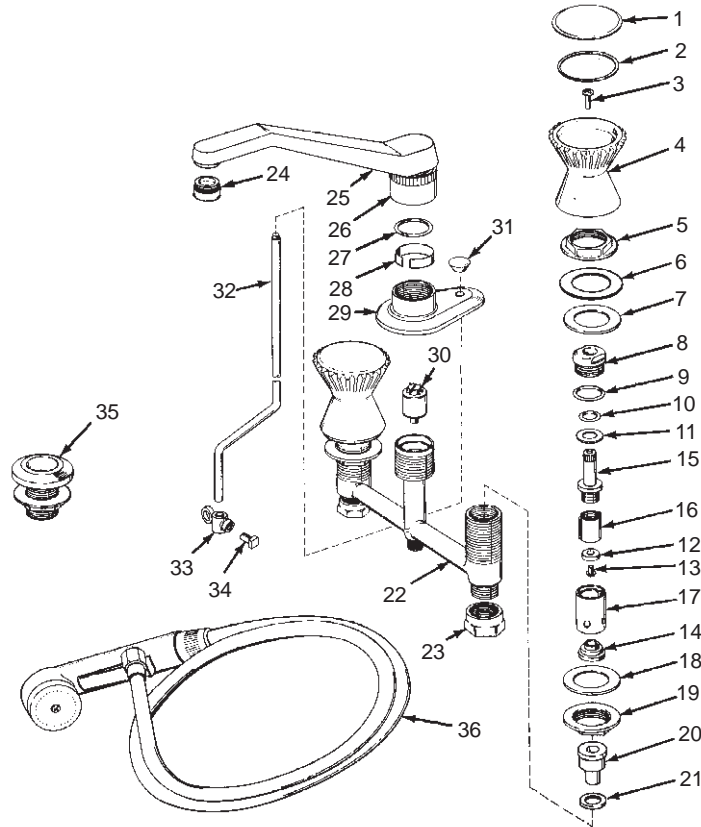
BRAVURA

LADY VANITY LAVATORY FITTING

ORDER BY KIT NUMBER OR PART NUMBER, NOT ITEM NUMBER OR KIT LETTER.

Ordering Options

Item	Part No. or Kit
1	48695‡
2	48694
3	B
4	48697‡
5, 6, 7	C
8	20475
9, 10, 11, 12,	A, D
13, 14	A, D
15, 16, 17	D
18, 19	C
20, 21	E
22	*
23	F
24	41056‡, G
24, 25, 26, 27, 28	G
27	29464
28	41495
29	41309‡
30	43262
31	35764‡
32	41315‡
33, 34	H
35	34329‡
36	41310‡



Kit Ordering Information

Kit	Kit Part No.	Kit Name	Kit Contents
A	30294	Valve Rebuilding	2 ea., Items 9 thru 14
B	30105‡	Screw	2 ea., Item 3
C	30234	Attachment S.A.	2 ea., Items 5, 6, 7, 18, and 19
D	30002	Valve Replacement	1 ea., Items 7 thru 17
E	30232	Extension Gasket	2 ea., Items 20 and 21
F	30230	Coupling Nut	2 ea., Item 23
G	41308‡	Spout Nut	1 ea., Items 24 thru 28
H	30235	Link S.A.	1 ea., Items 33 and 34

KITS MAY INCLUDE EXTRA PARTS

NOTES:

* Not available as a service part.
For pop-up drain, see K-7701.

LEGEND:

‡ Specify Finish.