

K-7765§  
K-7794§

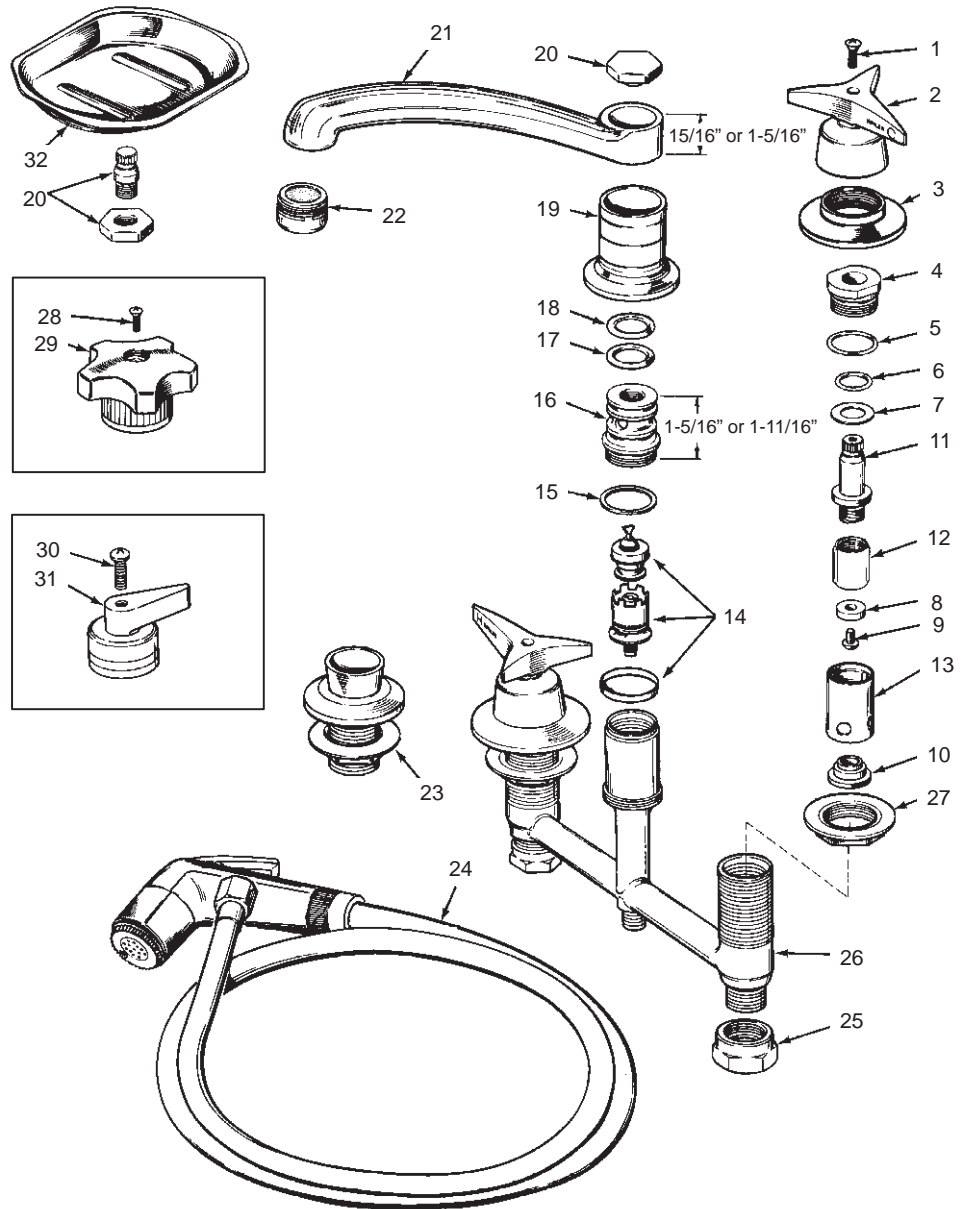
CONSTELLATION  
TRITON

EDGEWATER LEDGE SINK FITTING  
LEDGE SINK FITTING

(SEE EXPANDED "NOTES" SECTION ON FOLLOWING PAGE FOR PRODUCT NUMBERS)  
ORDER BY KIT NUMBER OR PART NUMBER, NOT ITEM NUMBER OR KIT LETTER.

### Ordering Options

Item	Part No. or Kit
1	B or C
2	D
3	E
4	20475
5, 6, 7, 8, 9, 10	A, F, or G
11, 12, 13	F or G
14	39931
15, 16, 17, 18	H or I
19	39908‡
20	34312‡, L
21, 22	J or K
23	34329‡
24	38613‡
25	M
26	*
27	N
28	O
29	P
30	Q
31	R
32	37668‡



OVER

#### NOTES:

\* Not available as a service part.

#### LEGEND:

‡ Specify Finish.  
§ Reference Number Only.

# SINK FITTINGS

K-7765§  
K-7794§

CONSTELLATION  
TRITON

EDGWATER LEDGE SINK FITTING  
LEDGE SINK FITTING

(SEE NOTES SECTION FOR PRODUCT NUMBERS)  
ORDER BY KIT NUMBER OR PART NUMBER, NOT ITEM NUMBER OR KIT LETTER.

## Kit Ordering Information

Kit	Kit Part No.	Kit Name	Kit Contents
A	30294	Valve Rebuilding	2 ea., Items 5 thru 10
B	30107	Screw (Roundhead)	2 ea., Item 1
C	30098	Screw (Countersunk)	2 ea., Item 1
D	30027‡	Triton Handle	1 ea. Hot, 1 ea. Cold; Item 2
E	30085‡	Escutcheon	2 ea., Item 3
F	30002‡	Valve Replacement (Closes Clockwise)	1 ea., Items 5 thru 13
G	30004‡	Valve Replacement (Closes Counterclockwise)	1 ea., Items 5 thru 13
H	30014	Spout Post 1-5/16"	1 ea., Items 15 thru 18
I	30016	Spout Post 1-1/16"	1 ea., Items 15 thru 18
J	37750‡	Spout Aerator 15/16"	1 ea., Items 21 and 22
K	38687‡	Spout Aerator 1-5/16"	1 ea., Items 21 and 22
L	37766‡	Cap S.A. (Soap Dish)	1 ea., Item 20
M	30230‡	Coupling Nut	2 ea., Item 25
N	30231‡	Attachment S.A.	2 ea., Item 27
O	30109‡	Screw	2 ea., Item 28
P	30026‡	Constellation Handle	1 ea. Hot, 1 ea. Cold; Item 29
Q	30105‡	Screw	2 ea., Item 30
R	30057‡	Edgewater Lever Handles	1 ea. Hot, 1 ea. Cold; Item 31

## KITS MAY INCLUDE EXTRA PARTS

### NOTES:

Other Discontinued Product Numbers Using Same Parts

K-7761§    K-7790§    K-7796§  
K-7763§    K-7791§    K-7797§  
K-7767§    K-7793§

### LEGEND:

‡ Specify Finish.  
§ Reference Number Only.