

# KOHLER<sup>®</sup> SERVICE PARTS

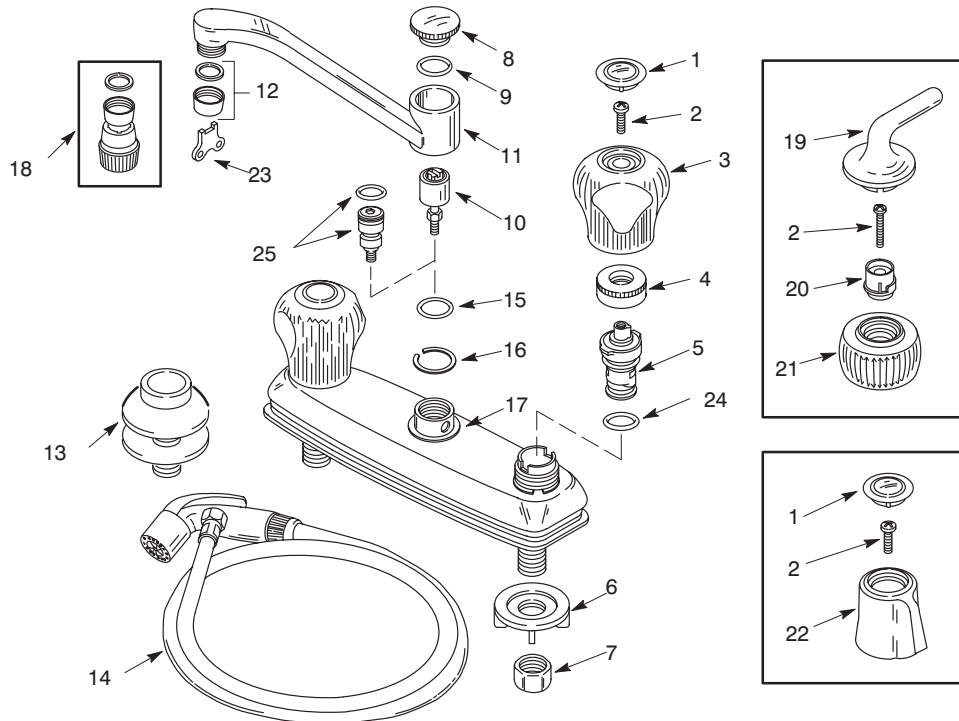
## SINK FITTINGS

K-15251 CORALAIS™ SINK FAUCET

ORDER BY KIT NUMBER OR PART NUMBER, NOT ITEM NUMBER OR KIT LETTER.

### Ordering Options

Item	Part No. or Kit
1	A or B
2	70047
3	73238
4	70008 ‡
5	C or D
6	40080
7	32751
8	70046 ‡
9	34300
10	30054
11	E or F
12	G or H or I
13	40132 ‡
14	20816
15	29464
16	70040
17	70039
18	30456 ‡
19	70302 ‡
20	70307
21	J
22	70508 ‡
23	21999
24	70221
25	29682, K



### Kit Ordering Information

Kit	Kit Part No.	Kit Name	Kit Contents
A	70207	Plug Button (Cold)	1 ea., item 1
B	70208	Plug Button (Hot)	1 ea., item 1
C	70127	Valve (Closes Clockwise)	1 ea., item 5
D	70415	Valve (Closes Counterclockwise)	1 ea., item 5
E	70416 ‡	8" Spout w/Aerator	1 ea., items 11 and 12
F	70555 ‡	10" Spout w/o Aerator	1 ea., item 11
G	30072 ‡	Aerator (Male)	1 ea., item 12
H	40106 ‡	Aerator (Female)	1 ea., item 12
I	500476 ‡	Aerator (Female-Vandal Resistant)	1 ea., item 12
J	70306**	Skirt (Clear)	1 ea., item 21
K	52393	Diverter Kit	1 ea., items 10 and 25

### KITS MAY INCLUDE EXTRA PARTS

#### NOTES

Other product numbers using same parts:  
K-15252, K-15253, K-15254, K-15257, K-15651, K-15653.  
\*\*Also available in colored and wood finishes. Refer to Design Manual.

#### LEGEND

‡ Specify finish.