

KOHLER® SERVICE PARTS

BATH AND SHOWER FITTINGS

K-15131
K-15133
-S

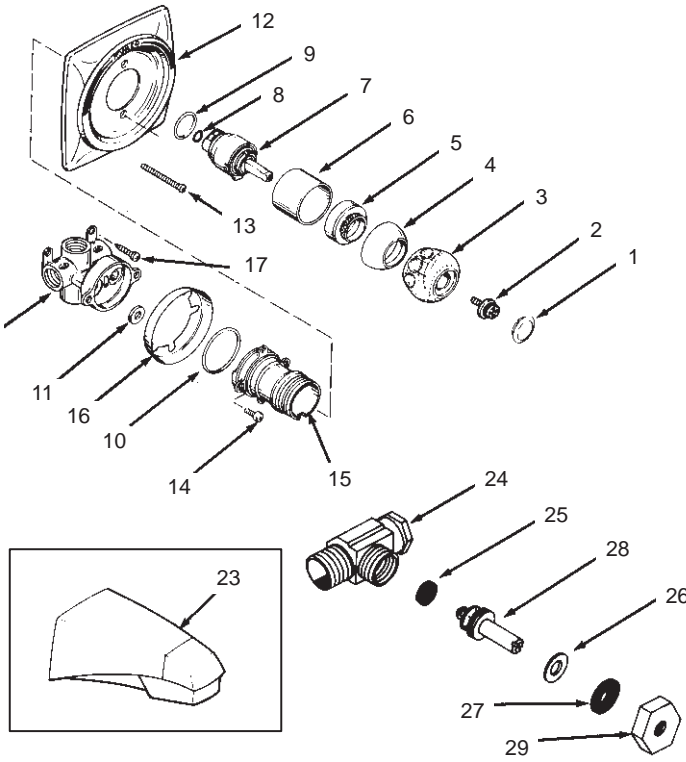
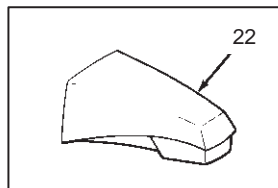
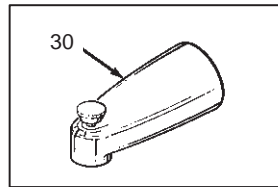
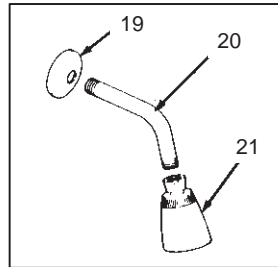
CORALAIS
CORALAIS

BATH AND SHOWER VALVE ASSEMBLY WITH DIVERTER SPOUT AND SHOWERHEAD
BATH AND SHOWER VALVE ASSEMBLY WITH STOPS, SPOUT AND SHOWERHEAD
WITH SLIP-FIT SPOUT

ORDER BY KIT NUMBER OR PART NUMBER, NOT ITEM NUMBER OR KIT LETTER.

Ordering Options

Item	Part No. or Kit
1	71841, A
2, 3	A
4	B or C
5	71509‡
6	71816‡
7	D
8, 9	D, E
10, 11	E
12	71839‡
13, 14	F
15	71812
16, 17, 18	*
19	20429‡
20	51410‡
21	30120‡
22	G or H
23	I or J
24	K, L
25, 26	K, L, M
27, 28, 29	K, L, M, N
30	O



Kit Ordering Information

Kit	Kit Part No.	Kit Name	Kit Contents
A	71840	Handle Kit	1 ea., Items 1, 2 and 3
B	71524	Cap (Chrome)	1 ea., Item 4
C	71528	Cap (Polished Brass)	1 ea., Item 4
D	30413	Valve Cartridge	1 ea., Items 7 and 9; 2 ea., Item 8
E	71541	Valve Service Kit	1 ea., Items 8 thru 11
F	30426 ‡	Screw Kit	2 ea., Items 13 and 14
G	70444	Spout (Slip Fit for 5/8" O.D. Copper)	1 ea., Item 22
H	70445	Spout (1/2" I.P. Connection)	1 ea., Item 22
I	70446	Diverter Spout (5/8" O.D. Copper)	1 ea., Item 23
J	70447	Diverter Spout (1/2" I.P. Connection)	1 ea., Item 23
K	71902	Stop (5/8" O.D. Copper)	1 ea., Items 24 thru 29
L	71903	Stop (1/2" I.P. Connection)	1 ea., Items 24 thru 29
M	30494	Valve Service Kit	2 ea., Items 25 thru 29
N	30495	Stop Valve Stem Kit	2 ea., Items 27, 28 and 29
O	20391 ‡	Diverter Spout (1/2" I.P. Connection)	1 ea., Item 30

KITS MAY INCLUDE EXTRA PARTS

NOTES:

Other Product Numbers Using Same Parts:
K-15140 K-15150 K-15152
K-15142 K-15151 K-15154
* Not available as a service part.

LEGEND:

‡ Specify Finish.