

CORALAIS™ TWO-HANDLE BATH/SHOWER FAUCETS

K-15201-S-BA
K-15204-S-BA
K-15211-BA
K-15214-BA

K-15221-S-BA
K-15224-S-BA
K-15225-BA
K-15231-S-BA

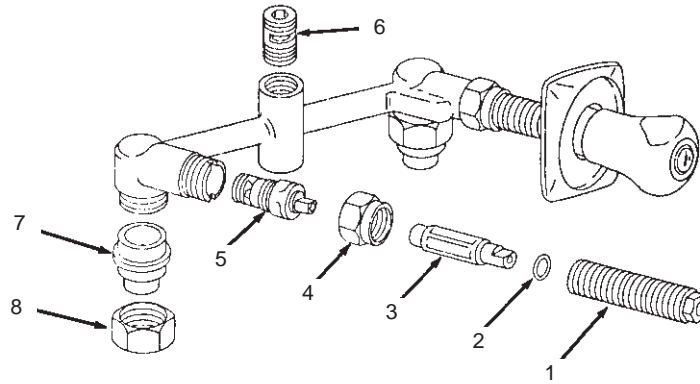
K-15234-S-BA
K-15235-BA
K-15401-S-BA
K-15401-SN-BA

K-15411-BA
K-15431-S-BA
K-15431-SN-BA

ORDER BY KIT NUMBER OR PART NUMBER, NOT ITEM NUMBER OR KIT LETTER.

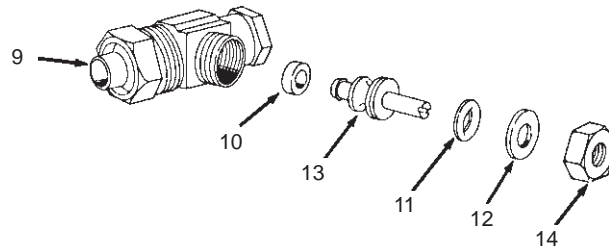
Ordering Options

Item	Part No. or Kit
VALVE ASSEMBLY	
1	70539
2	20960
3	70096
4	70538
5	G
6	D
7	70101, H
8	70100, H



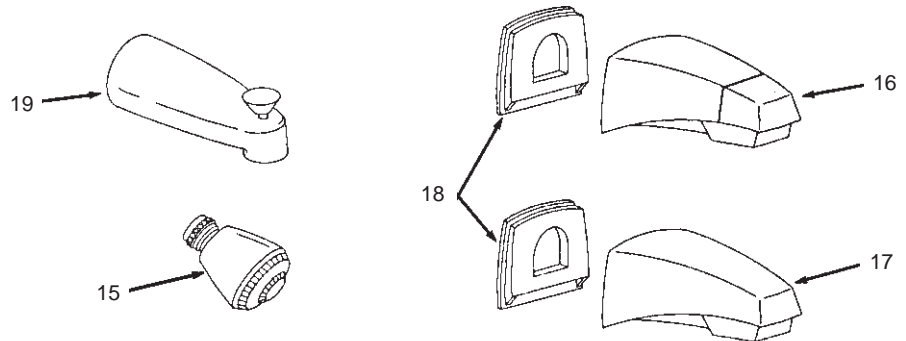
Ordering Options

Item	Part No. or Kit
STOPS	
9	F or M
10	20961, N, O
11	40291, N, O
12	40288, N, O
13	40287, O
14	40289, O



Ordering Options

Item	Part No. or Kit
SPOUTS AND SHOWERHEADS	
15	20384‡
16	K or L
17	I or J
18	70373, J, L
19	P or Q



NOTES:

LEGEND:

- ‡ Specify Finish.
- Suffix Key - S Slip-Fit Spout
- SN Less Showerhead

OVER

BATH AND SHOWER FITTINGS

CORALAIS™ TWO-HANDLE BATH/SHOWER FAUCETS

K-15201-S-BA
K-15204-S-BA
K-15211-BA
K-15214-BA

K-15221-S-BA
K-15224-S-BA
K-15225-BA
K-15231-S-BA

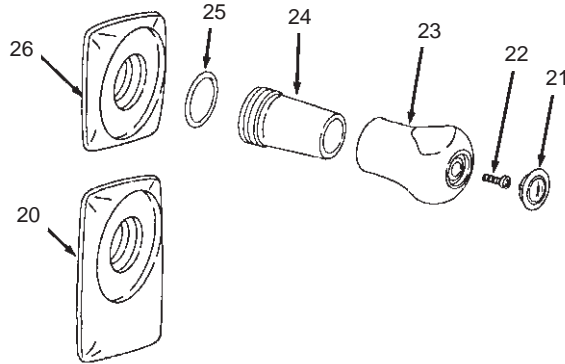
K-15234-S-BA
K-15235-BA
K-15401-S-BA
K-15401-SN-BA

K-15411-BA
K-15431-S-BA
K-15431-SN-BA

ORDER BY KIT NUMBER OR PART NUMBER, NOT ITEM NUMBER OR KIT LETTER.

Ordering Options

Item	Part No. or Kit
ESCUTCHEONS AND HANDLES	
20	70292‡
21	A, C, R or S
22	70047, B, C
23	70233, C
24	70537‡
25	21159
26	E or T



Kit Ordering Information

Kit	Kit Part No.	Kit Name	Kit Contents
A	70275	Plug Buttons	1 ea. Hot, 1 ea. Cold; Item 21
B	70276	Screws	2 ea., Item 22
C	70244	Handles	1 ea. Hot, 1 ea. Cold; Items 21, 22 and 23
D	30521*	Aspirator Kit	2 ea., Item 6
E	70293	Escutcheon (Chrome Plate)	1 ea., Item 26
F	70126	Stop (5/8" O.D. Copper)	1 ea., Items 9 thru 14
G	70127	Valve Replacement (Closes Clockwise)	1 ea., Item 5
H	70425	Unions	2 ea., Items 7 and 8
I	70444‡	Spout (Slip-Fit)	1 ea., Item 17
J	70445‡	Spout (1/2" I.P. Connection)	1 ea., Items 17 and 18
K	70446‡	Diverter (Slip-Fit)	1 ea., Item 16
L	70447‡	Diverter Spout (1/2" I.P. Connection)	1 ea., Items 16 and 18
M	70125	Stop (1/2" I.P.)	1 ea., Items 9 thru 14
N	30494	Stop Rebuilding (Minor)	2 ea., Items 10, 11 and 12
O	30495	Stop Rebuilding (Major)	2 ea., Items 10 thru 14
P	42440‡	Diverter Spout (Slip-Fit)	1 ea., Item 19
Q	40242‡	Diverter Spout (1/2" I.P. Connection)	1 ea., Item 19
R	70207	Cold Plug Button	1 ea., Item 21
S	70208	Hot Plug Button	1 ea., Item 21
T	70485‡	Escutcheon (Polished Brass)	1 ea., Item 26

KITS MAY INCLUDE EXTRA PARTS

NOTES:

* Kit contains two models; refer to instructions packed with kit.

LEGEND:

‡ Specify Finish.
Suffix Key - S Slip-Fit Spout
 - SN Less Showerhead