

KOHLER® SERVICE PARTS

LAVATORY FITTINGS

K-275
K-281

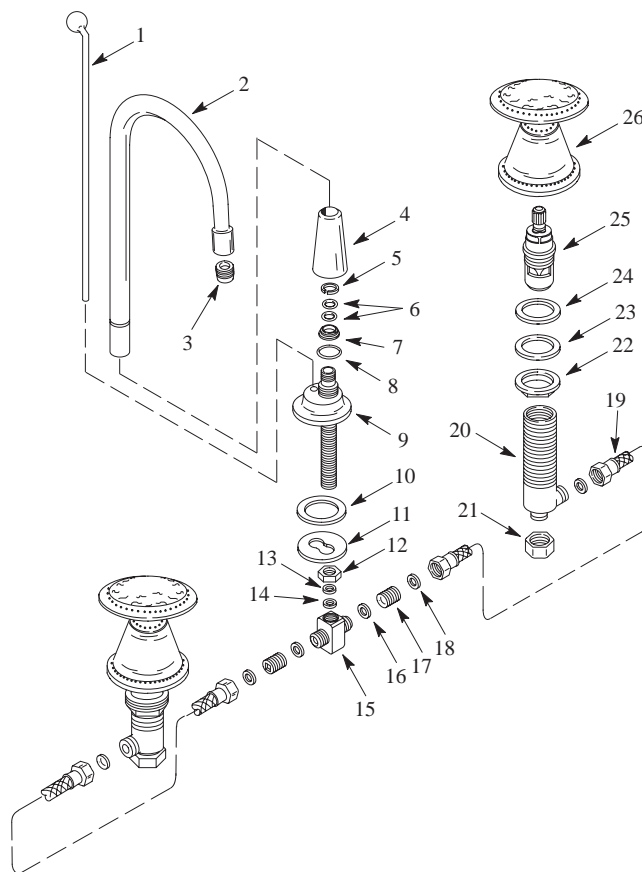
ANTIQUE
ANTIQUE

LAVATORY FITTING
LAVATORY TRIM FITTINGS

ORDER BY KIT NUMBER OR PART NUMBER, NOT ITEM NUMBER OR KIT LETTER.

Ordering Options

Item	Part No. or Kit
1	40156 †
2	52424 †
3	41056 †
4	40275 †
5	40274
6	42045
7	40271
8	32725
9	A
10	35715
11 thru 15	B
16	40013
17	22323
18	40295
19	21647
20	55038
21	32751
22, 23, 24	C
25	D or E
26	F



Kit Ordering Information

Kit	Kit Part No.	Kit Name	Kit Contents
A	500455 †	Escutcheon (Lav Spout)	1 ea., item 9
B	40036	Cross Connection Kit	1 ea., items 11 thru 15
C	22172	Mounting Hardware	1 ea., items 21 thru 24
D	30430	Valve (Closes Clockwise)	1 ea., item 25
E	30431	Valve (Closes Counterclockwise)	1 ea., item 25
F	106216 ■ §	Antique Handle Options	See INDEX.

KITS MAY INCLUDE EXTRA PARTS

NOTES:

LEGEND:

- † Specify finish.
- § Reference number only.
- Parts further exploded in catalog, see INDEX.