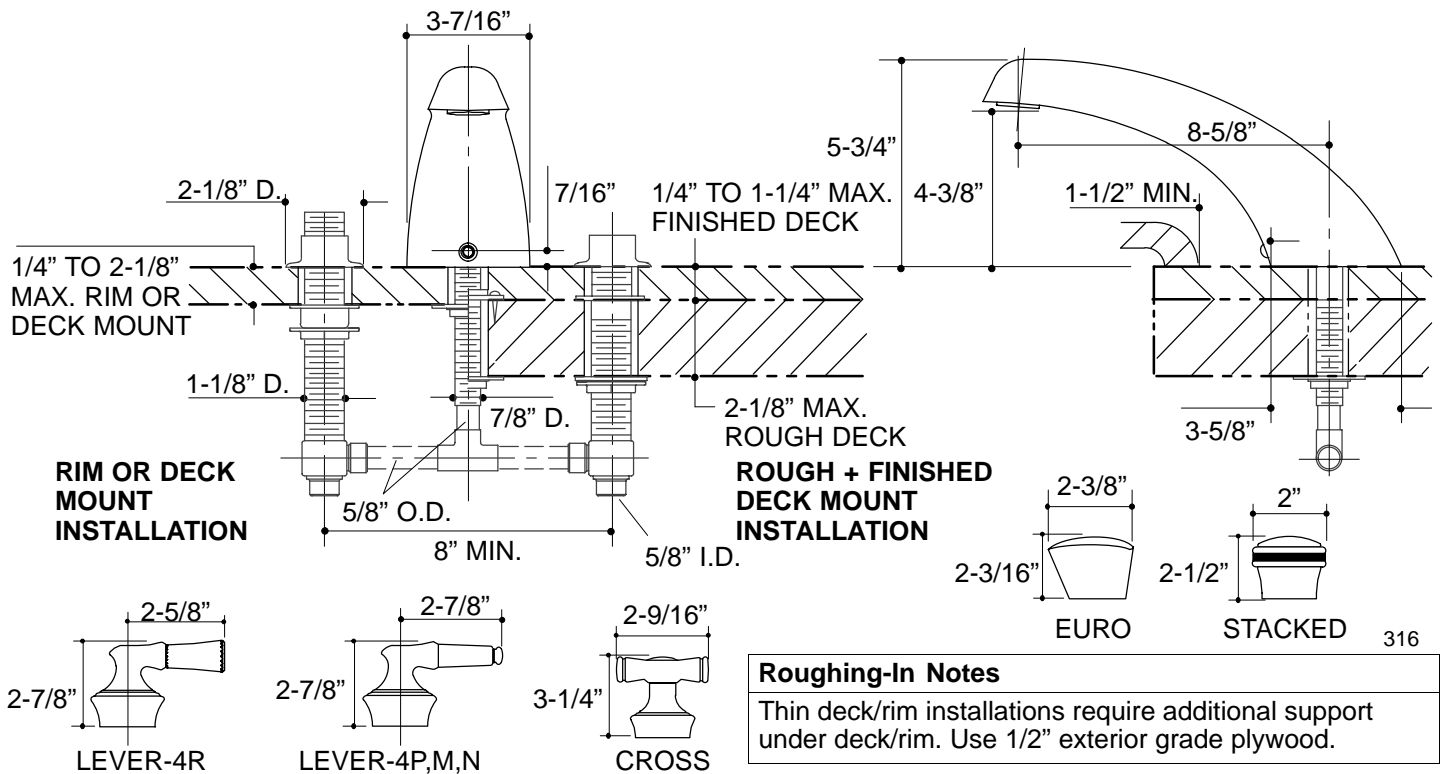


Ordering Information

Applicable bath faucet trim:		
Euro handles with spout*	K-T15806-1	
Cross handles with spout*	K-T15806-3P	
Lever base handles with spout*	K-T15806-4K	
Stacked base handles with spout*	K-T15806-7K	
Applicable valve:		
1/2" valve system (shown)	K-15708-K-NA	required**
1/2" valve system with rigid connections	K-15708-KR-NA	required**
*1/2" valve system must be ordered to complete faucet.		
**Required for configuration illustrated.		
ADA Lever and cross handles are ADA compliant		



K-T15806, K-15708-K Coralais™ Bath Faucet
113061-1-AA (A)

NOTES: