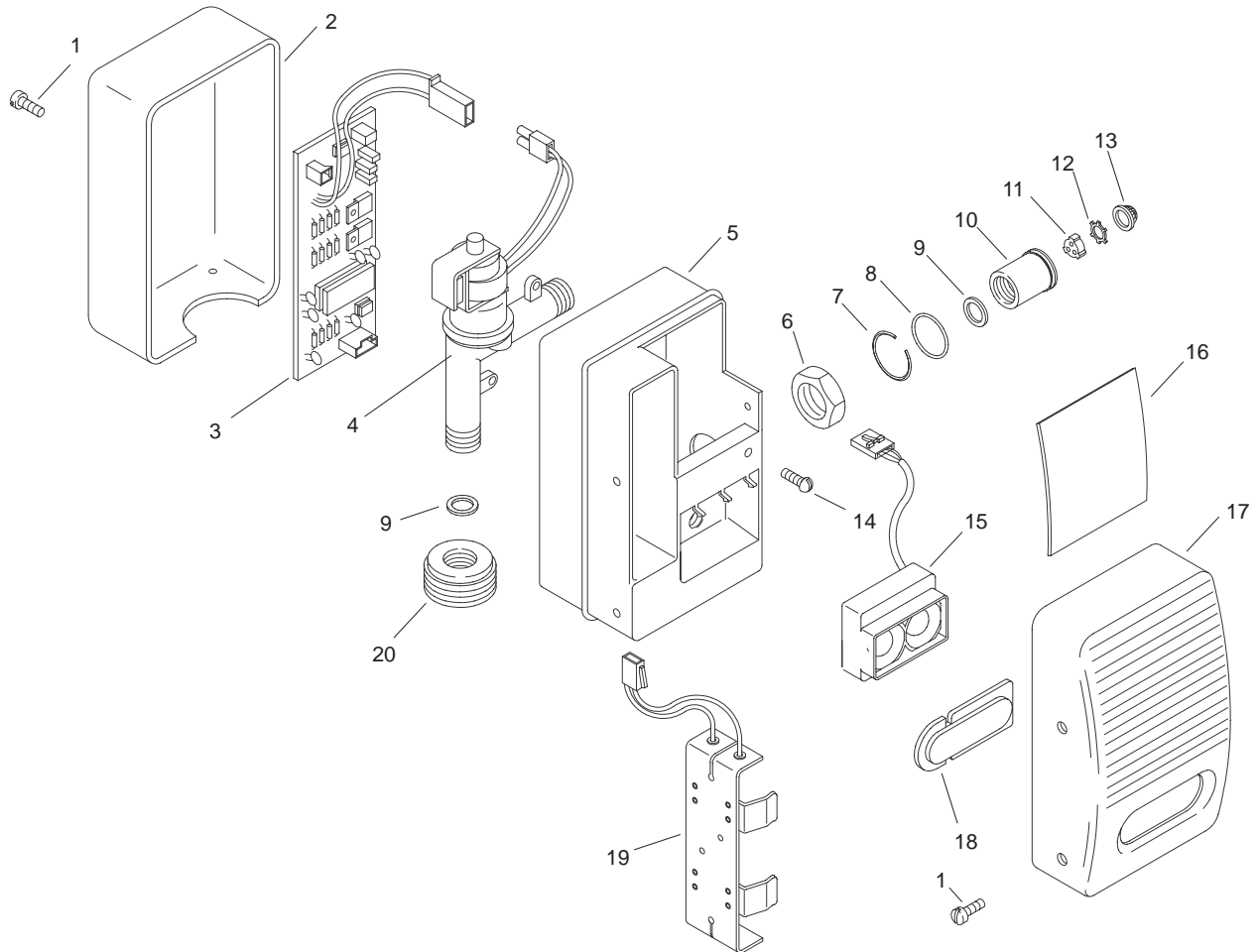


KOHLER® SERVICE PARTS

TOUCHLESS™ BATTERY URINAL FLUSH VALVE K-13686-**-AA



SERVICE PARTS

ITEM.	PART NO.	DESCRIPTION	ITEM.	PART NO.	DESCRIPTION
1	73499	Screw	11	73212	Flow Restrictor
2	82897	Rear Cover	12	82968	Retaining Clip
3	82983	Circuit Board Assy	13	56953	Screen
4	82972	Magnetic Latch Valve	14	67283	Screw
5	82899	Control Box Chassis	15	82901	Sensor Assy
6	58673	Inlet Nut	16	113351-6	Label
7	58674	Lock Ring	17	82898	Front Cover
8	71015	O-Ring	18	82900	Lens Cover
9	41163	Gasket	19	82904	Battery Holder Assy
10	82965	Inlet Tube	20	82966	Outlet Nut

Variation and/or finish/color code may be required when ordering.