

### Ordering Information

Accessories/hardware:		
Jet trim kit	K-9696	included
Apron	K-1218	optional
Drain	K-7161-AF	recommended
Vinyl tiling-in bead*	K-1179	optional

\*Use K-1179 vinyl bead when wall material contacts any top surface of bath.

### Required Electrical Service

Dedicated circuit required, protected with Class A Ground-Fault Circuit-Interrupter (GFCI):	
Pump/control	120 V., 15 A, 60 Hz

### Product Information

Fixture*:	basin area	top area	weight
Bathing well	52" x 23"	66" x 27"	110 lbs.
	water depth	capacity	
To overflow	15-1/2"	76 gal.	

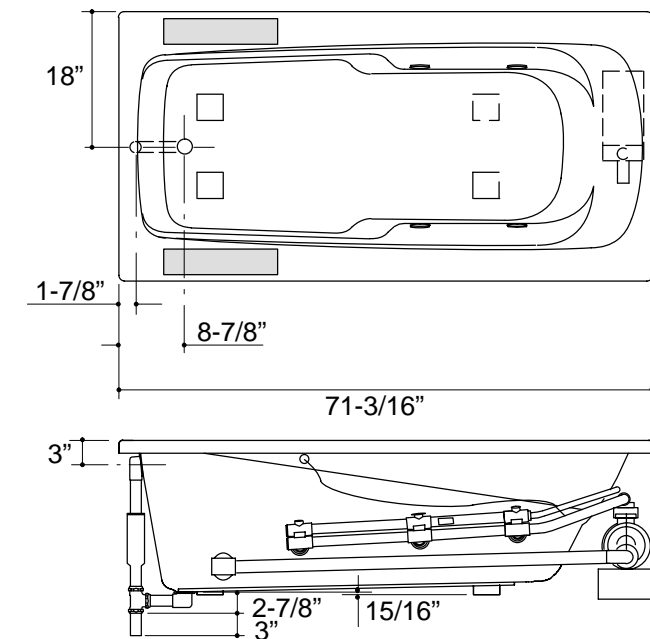
\* Approximate measurements for comparison only.

Pump:	HP	V	Hz	A
1-speed	3/4	120	60	10.5

### Installation Notes

Refer to installation instructions included with fixture before beginning installation.

Each pump is supplied with a grounding type plug-in cord. Locate the outlet behind the whirlpool, and within 24" of the pump.



1.25>132

### Roughing-In Notes

Fixture conforms to ANSI Standard Z124.1. All dimensions are nominal.

No change in measurements if connected with drain illustrated.

Cut-out 70" x 34-1/2"

Minimum access panel:

Pump/control 20" W x 15" H required

Faucet area recommended

