

**SELF-CLOSING FAUCET
K-7504**

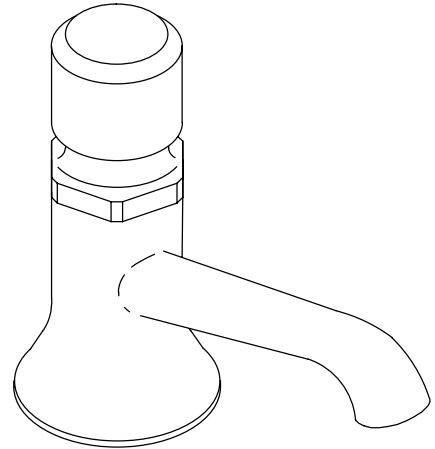
FEATURES

- Brass construction
- Metering valve
- 3-1/2" spout
- Push button

CODES/STANDARDS APPLICABLE

Specified model meets or exceeds the following:

- ASME/ANSI A112.18.1M
- CSA B125
- IAPMO/UPC



COLORS/FINISHES

- CP Polished Chrome

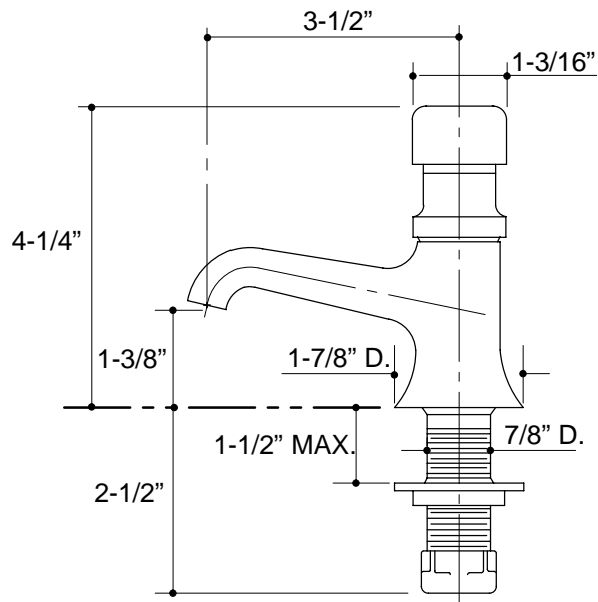
SPECIFIED MODEL:

Model	Description	
K-7504-C	Signal Slow Self-Closing Faucet, Cold	<input type="checkbox"/> CP
K-7504-H	Signal Slow Self-Closing Faucet, Hot	<input type="checkbox"/> CP

PRODUCT SPECIFICATION:

Slow self-closing metering lavatory faucet shall be of brass construction. Faucet shall be less drain. Faucet shall include self-closing metering valve, 3-1/2" spout, and push button. Cold water faucet shall be Kohler Model K-7504-C-CP. Hot water faucet shall be Kohler Model K-7504-H-CP.

SIGNAL



38

PRODUCT DIAGRAM