

Ordering Information

Applicable product:		
Single-hole lavatory	K-2241-1	shown
4" centers lavatory	K-2241-4	not shown
8" centers lavatory	K-2241-8	not shown
Accessories/hardware		
Trap	K-8998	recommended

Product Information

Fixture*:		basin area	water depth
Lavatory		17" x 10"	5"
Outlet	1-3/4" D.		
* Approximate measurements for comparison only.			

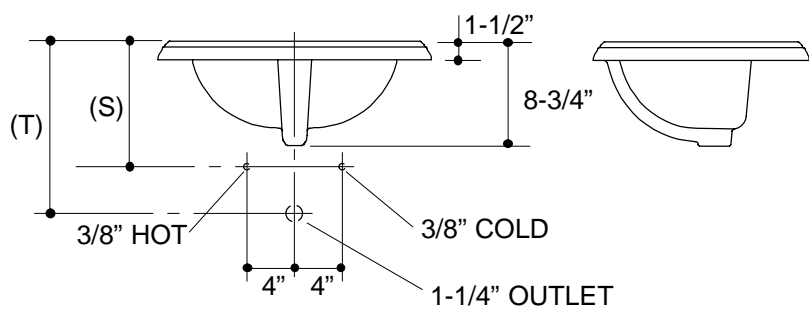
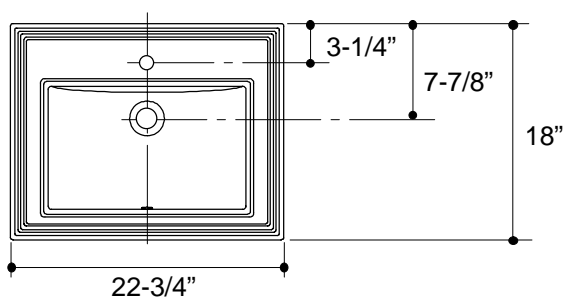
Holes	K-2241-1	K-2241-4	K-2241-8
Spout	1-3/8" D.	1-3/16" D.	1-3/16"
Faucet		1-3/16" D.	1-7/16"

Included Components:	
Lavatory basin, single-hole	K-2241-1
Lavatory basin, 4" centers	K-2241-4
Lavatory basin, 8" centers	K-2241-8
Sealant	63034
Cutout template	115707-7

Installation Notes

Refer to installation instructions included with fixture before beginning installation.

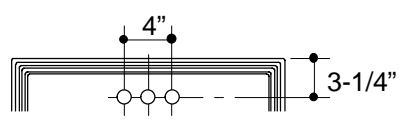
K-2241-1



Roughing-In Notes

Fixture dimensions are nominal and conform to tolerances in ASME/ANSI Standard A112.19.2M.
 (T) Pop-up drain 14-3/8", grid drain 13-1/2".
 (S) 10" (Based on 12" riser which may require cutting).

K-2241-4



K-2241-8

