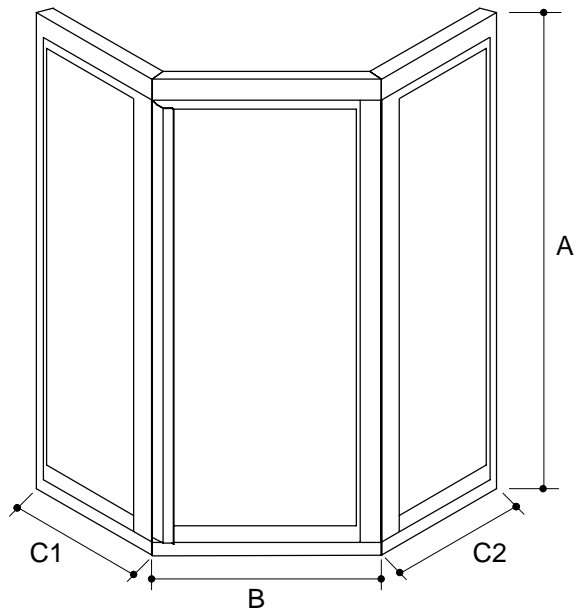
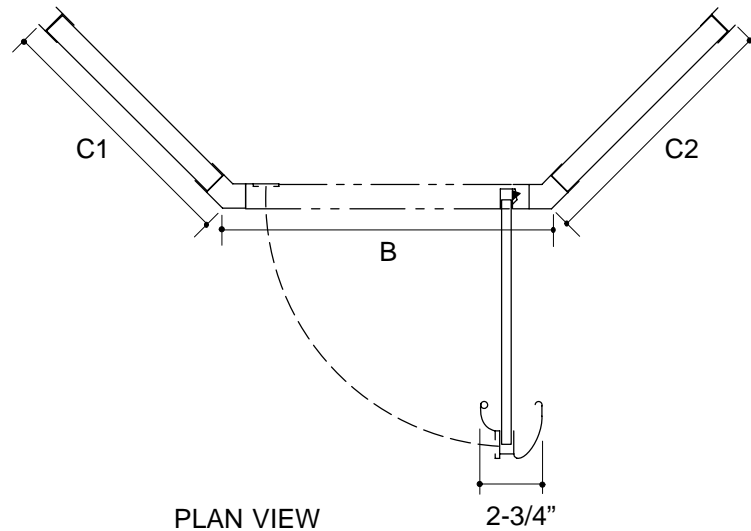


**Ordering Information**

Applicable product:  
Reference models and measurements below.

**Installation Notes**

Refer to installation instructions included with fixture before beginning installation.



| Roughing-In Notes  | A       | B              | C1 | C2 |
|--|---------|----------------|----|----|
| K-711300 Custom  | 50"-72" | B+C+D=Max. 72" |    |    |
| Note: Dimensions are taken on centerline of curb/threshold at the rough opening. |         |                |    |    |
| Note: B dimension shall be 22-1/2" or greater.                                   |         |                |    |    |