

KOHLER[®] Roughing-In

K-1631, K-1632 TERRACINA 60" FRP SHOWER STALL

Ordering Information

Applicable product:		
Seat on left	K-1631	shown
Seat on right	K-1632	not shown
Accessories/hardware:		
Drain	K-9132	recommended
Focal shower door or Forum™ shower door or Helios™ shower door	K-701129 or K-703026 or K-704016	recommended

Product Information

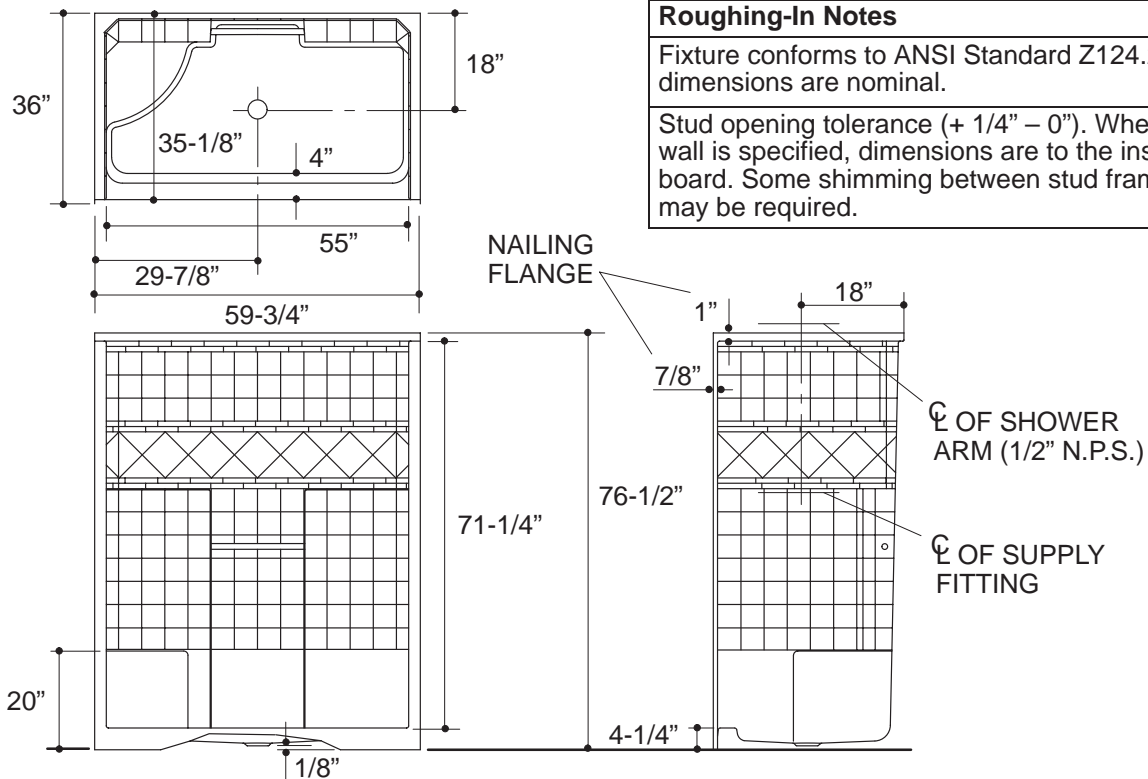
Fixture:	
Weight	135 lbs.
Configuration	1-piece
Drain Outlet	3-3/8" D.

Installation Notes

Refer to installation instructions included with fixture before beginning installation.

Fixture not drilled for supply fittings.

Shimming may be required to level fixture.



Roughing-In Notes
Fixture conforms to ANSI Standard Z124.2. All dimensions are nominal.
Stud opening tolerance (+ 1/4" - 0"). When fire rated wall is specified, dimensions are to the inside of the wall board. Some shimming between stud frame and fixture may be required.

.90<132

K-1631, K-1632 Terracina 60" Shower Stall
116717-1-BA (-)

KOHLER[®]