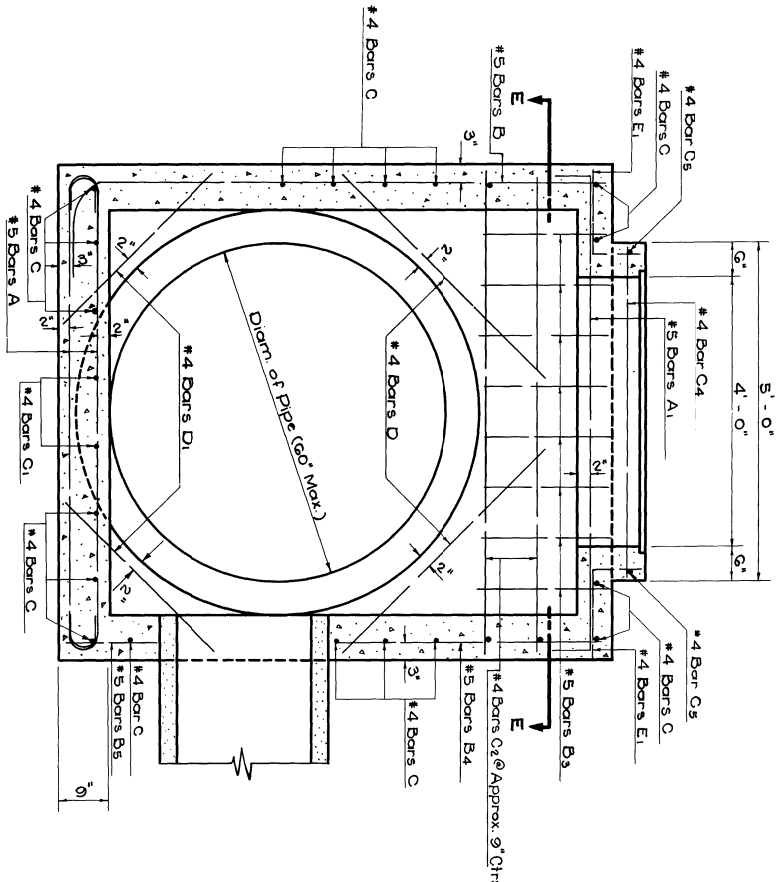
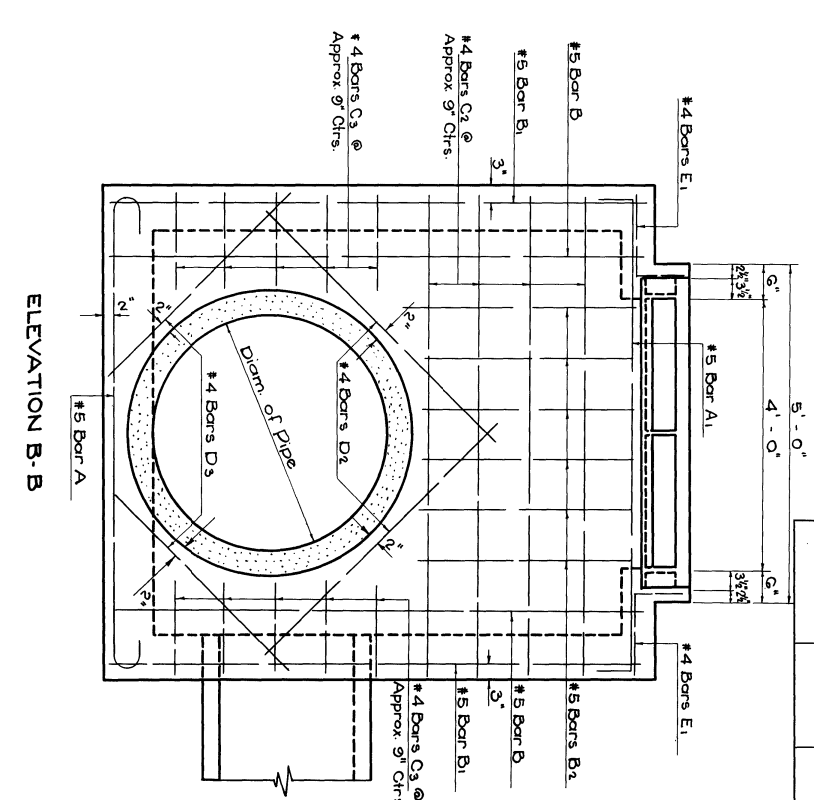


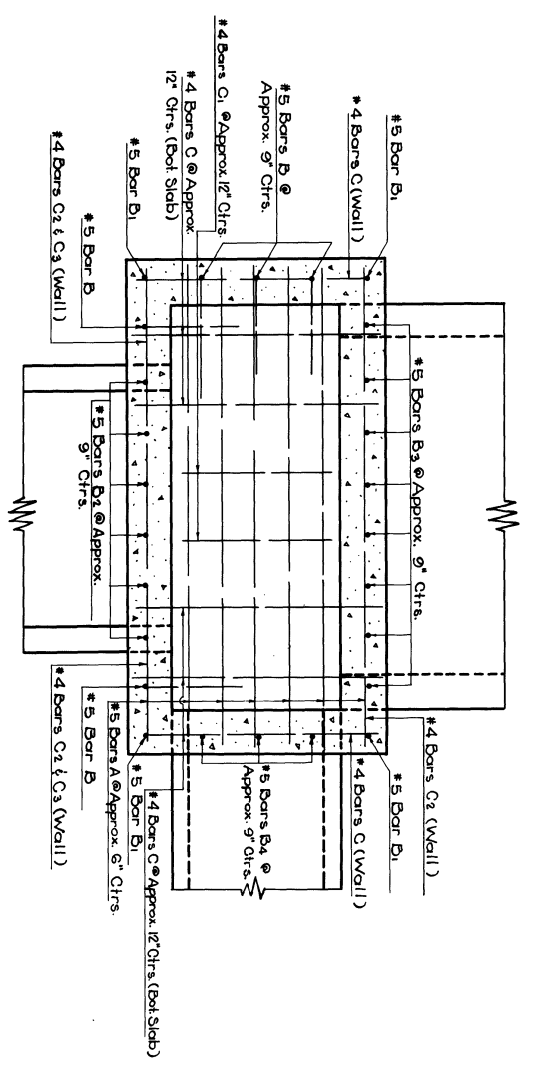
PLAN
C.1 Cover Not Shown, See Std Plan R-CB-7X



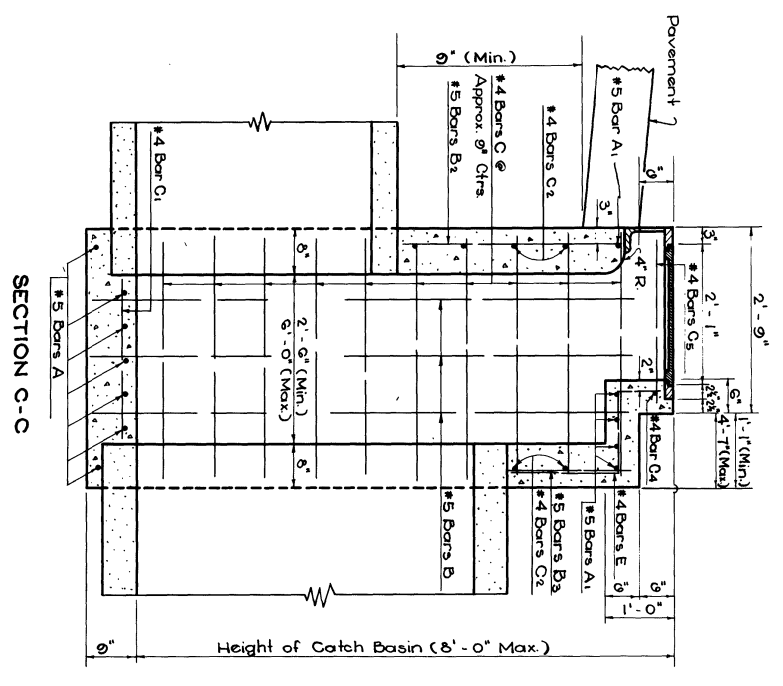
SECTION A-A
C.1 Frame and Cover Not Shown



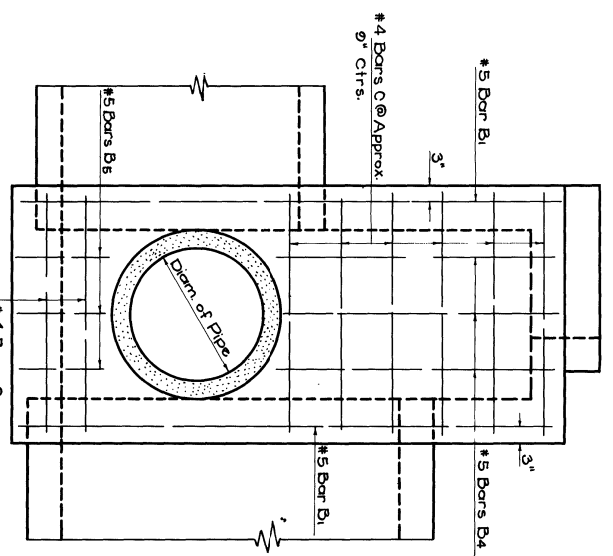
ELEVATION B-B



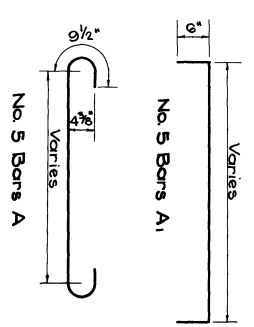
SECTION E-E
Showing Reinforcing in Bottom Slab and Walls.



SECTION C-C



ELEVATION D-D



NOTE:
For Details of C.1 Frame & Cover and any Other
Information Not Shown, See Std Plan CB-06.

Note:
The Contractor will not pour above the bottom
of the slab until the paving adjacent to
the basin has been completed.

R-CB-37

STANDARD PLAN
R. C. CATCH BASIN
60" MAXIMUM PIPE CONNECTION
6" CURB EXPOSURE - MAX HEIGHT - 8"
To be Used in Conjunction with Std Plan CB-06

STATE OF LOUISIANA
DEPARTMENT OF HIGHWAYS

DATE	DESCRIPTION	BY	IN CHARGE OF
7-2-64	Revised	W.E.M.	
7-2-64	Note on Rebaring Required	W.T.L.	

DESIGNED	DRAWN	CHECKED	IN CHARGE OF
W.M.C.	W.M.C.	W.E.H.	W.E.H.

STATE PROJECT	PARISH	SHEET NO.