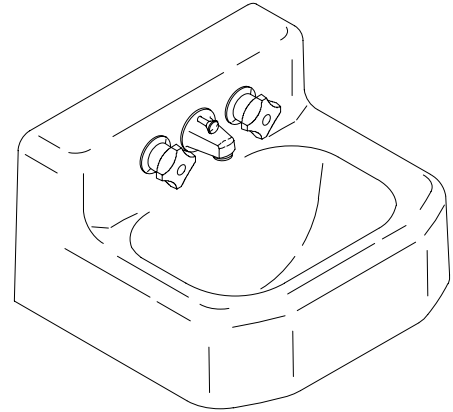


WALL-MOUNT LAVATORY

K-2731

FEATURES

- 16" x 14"
- Cast iron
- Wall-mount
- Shelf-back
- With factory installed K-8040-2A Triton faucet
- With overflow



CODES/STANDARDS APPLICABLE

Specified model meets or exceeds the following:

- ASME/ANSI A112.19.1M
- IAPMO/UPC
- Canadian Standards Association (CSA)

COLORS/FINISHES

- 0 White
- Other Refer to Fixtures Price Book for additional colors

SPECIFIED MODEL:

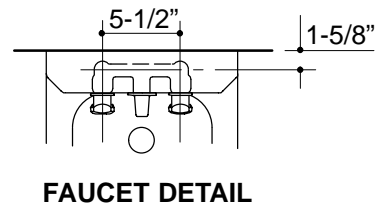
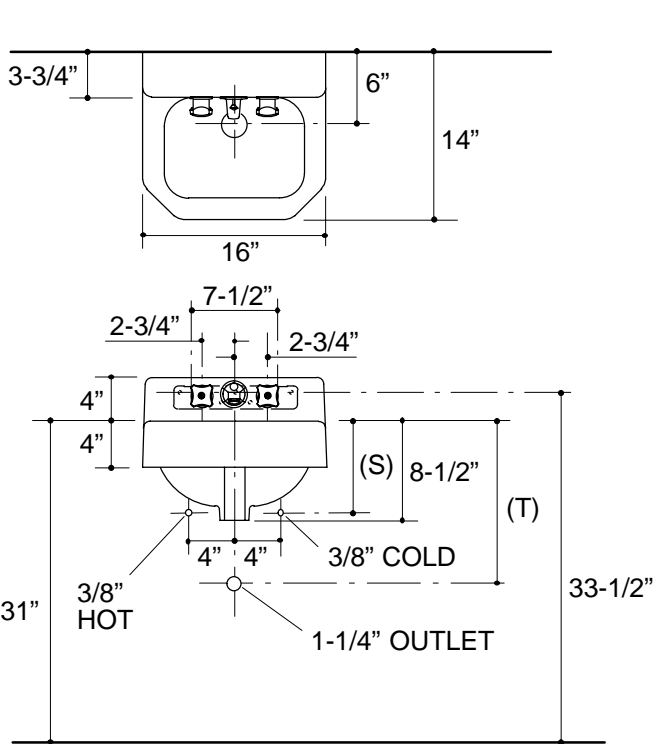
Model	Description	Colors/Finishes	
K-2731	Wall-mount lavatory with faucet	<input type="checkbox"/> 0 White	<input type="checkbox"/> Other_____

PRODUCT SPECIFICATION:

The wall-mount lavatory shall be 16" in length, and 14" in width. Lavatory shall be made of cast iron. Lavatory shall have factory installed K-8040-2A Triton faucet. Lavatory shall have overflow. Lavatory shall be Kohler Model K-2731-_____.

PRODUCT INFORMATION

Fixture*:		basin area	water depth
Lavatory		12" x 9"	5"
Outlet	1-11/16" D.		
* Approximate measurements for comparison only.			
Holes	K-2731		
Spout	1-1/2" D.		
Faucet	1-3/16" D.		
Included Components:			
Triton faucet		K-8040-2A	
Hanger (1)		64508	
Overflow ferrule (1)		44071	



ROUGHING-IN NOTES

(T) Pop-up drain 14-1/8", drain 13-1/4".

(S) 8" (Based on 12" riser which may require cutting).

PRODUCT DIAGRAM