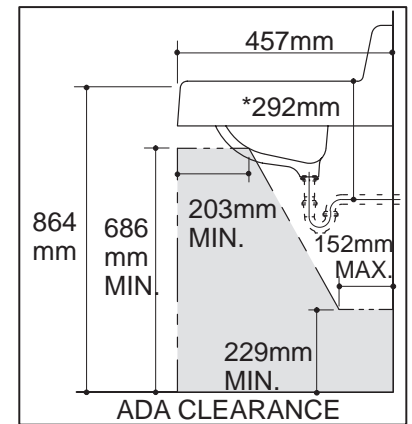
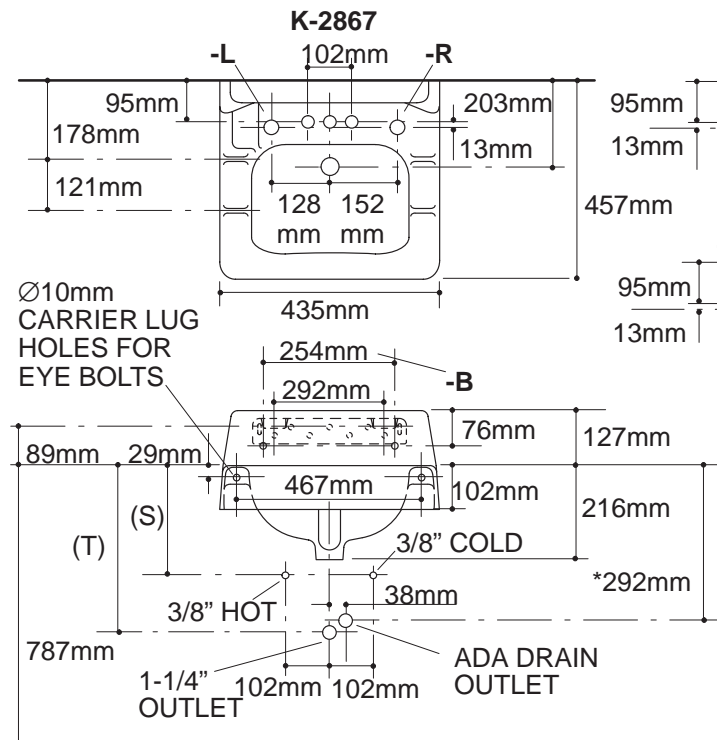


Ordering Information

Applicable product:		
102mm centers lavatory	K-2867	shown
soap dispenser on left	K-2867-L	
soap dispenser on right	K-2867-R	
w/ 292mm thru bolt holes & soap dispenser on left	K-2867-B	
& soap dispenser on right	K-2867-RB	
203mm centers lavatory	K-2868	not shown
soap dispenser on right	K-2868-R	
w/ 292mm thru bolt holes & soap dispenser on right	K-2868-RB	
Single-hole lavatory	K-2812	not shown
soap dispenser on left	K-2812-L	
soap dispenser on right	K-2812-R	
w/ 292mm thru bolt holes & soap dispenser on left	K-2812-B	
& soap dispenser on right	K-2812-RB	

Product Information

ADA compliant.			
Fixture*:		basin area	water depth
Lavatory		381 x 254mm	127mm
Outlet	Ø43mm		
* Approximate measurements for comparison only.			
Holes	K-2868	K-2867	K-2812
Spout	Ø29mm	Ø29mm	Ø35mm
Faucet	Ø33mm	Ø33mm	
Soap dispenser			Ø38mm
Included Components:			
Hanger			64503
Accessories/hardware recommended:			
Trap			K-8998



Roughing-In Notes

Fixture dimensions are nominal and conform to tolerances in ASME Standard A112.19.2M.

*Based on K-8998, with 25mm tailpiece exposed.

(T) Pop-up drain 359mm, grid drain 337mm.

Supply (Based on 12" riser which may require cutting).	K-2867 K-2812	K-2868
(S)	254mm	356mm

.95<116

K-2812, K-2867, K-2868 Hudson™ Lavatory
105060-1M-BA (A)

KOHLER®