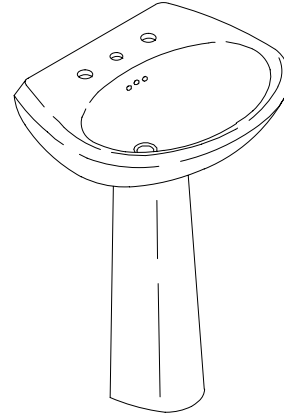


#### FEATURES

- 24" x 19" x 32-1/4"
- Vitreous china
- Pedestal lavatory
- 4" centers (K-2081-4), 8" centers (K-2081-8) or single-hole (K-2081-1) drilling
- With overflow



#### CODES/STANDARDS APPLICABLE

Specified model meets or exceeds the following:

- ASME/ANSI A112.19.2M
- Canadian Standards Association (CSA)
- State of Massachusetts

#### COLORS/FINISHES

- 0 White
- Other Refer to Fixtures Price Book for additional colors

#### Accessories:

- CP Polished Chrome
- Other Refer to Faucets Price Book for additional finishes

#### SPECIFIED MODEL:

Model	Description	Colors/Finishes	
K-2081-4	4" centers lavatory	<input type="checkbox"/> 0 White	<input type="checkbox"/> Other_____
K-2081-8	8" centers lavatory	<input type="checkbox"/> 0 White	<input type="checkbox"/> Other_____
K-2081-1	Single-hole lavatory	<input type="checkbox"/> 0 White	<input type="checkbox"/> Other_____

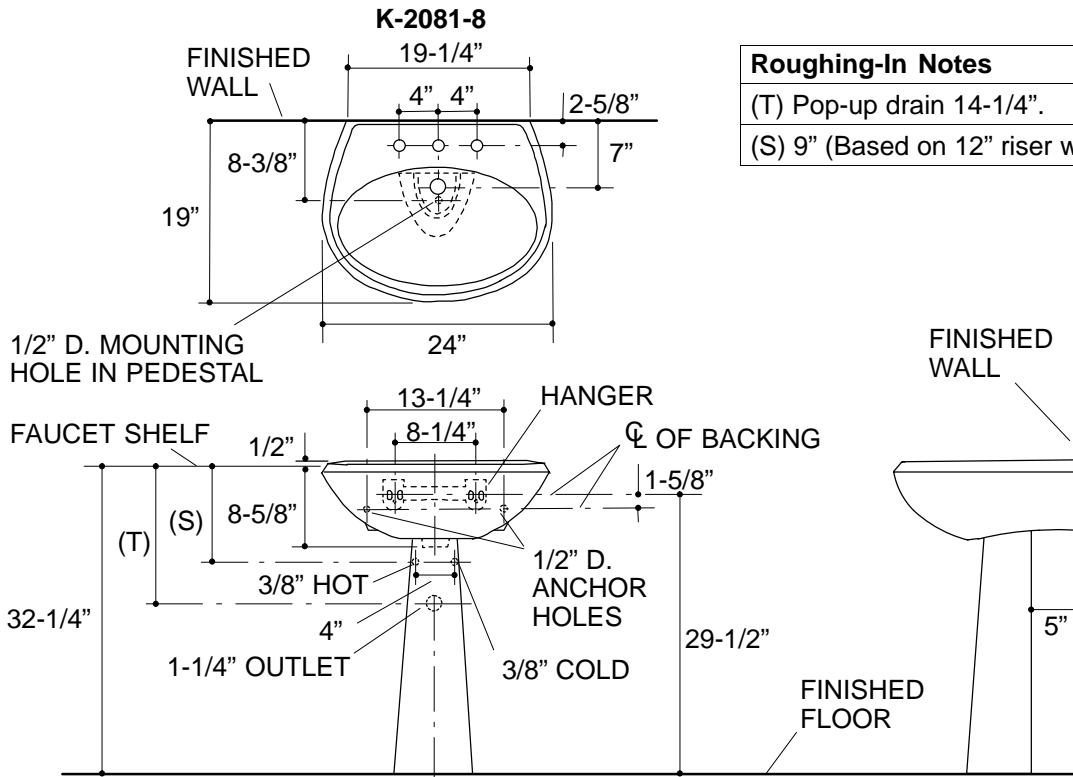
Recommended Accessories			
K-7605-P	Lavatory supplies 3/8" (pair)	<input type="checkbox"/> CP	<input type="checkbox"/> Other_____
K-8998	Trap	<input type="checkbox"/> CP	<input type="checkbox"/> Other_____

#### PRODUCT SPECIFICATION:

The pedestal lavatory shall be 24" in length, 19" in width, and 32-1/4" in height. Pedestal lavatory shall be made of vitreous china. Pedestal lavatory shall have 4" centers (K-2081-4), 8" centers (K-2081-8), or single-hole (K-2081-1) drilling. Pedestal lavatory shall have overflow. Pedestal lavatory shall be Kohler Model K-2081-\_\_\_\_\_-\_\_\_\_\_.

## PRODUCT INFORMATION

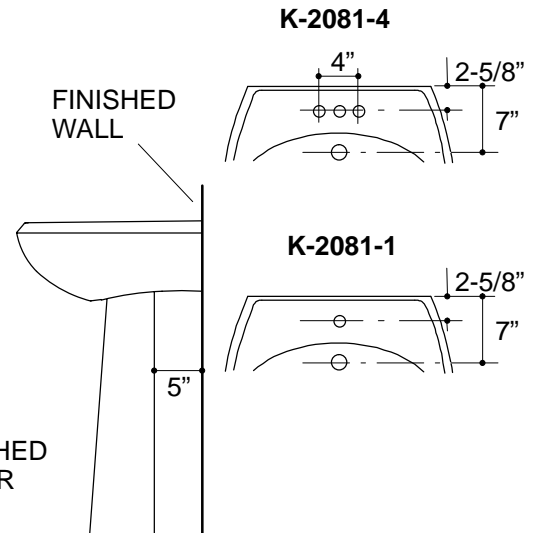
Fixture*:		basin area	water depth
Lavatory		22" x 13"	5"
Outlet	1-3/4" D.		
* Approximate measurements for comparison only.			
Holes	<b>K-2081-4</b>	<b>K-2081-8</b>	<b>K-2081-1</b>
Spout	1-3/16" D.	1-3/16" D.	1-3/8" D.
Faucet	1-3/16" D.	1-3/8" D.	
Included Components:			
Lavatory basin, 4" centers			K-2138-4
Lavatory basin, 8" centers			K-2138-8
Lavatory basin, single-hole			K-2138-1
Pedestal			K-2142
Hanger			64839
Rubber pads			63069



### ROUGHING-IN NOTES

(T) Pop-up drain 14-1/4".

(S) 9" (Based on 12" riser which may require cutting).



## PRODUCT DIAGRAM