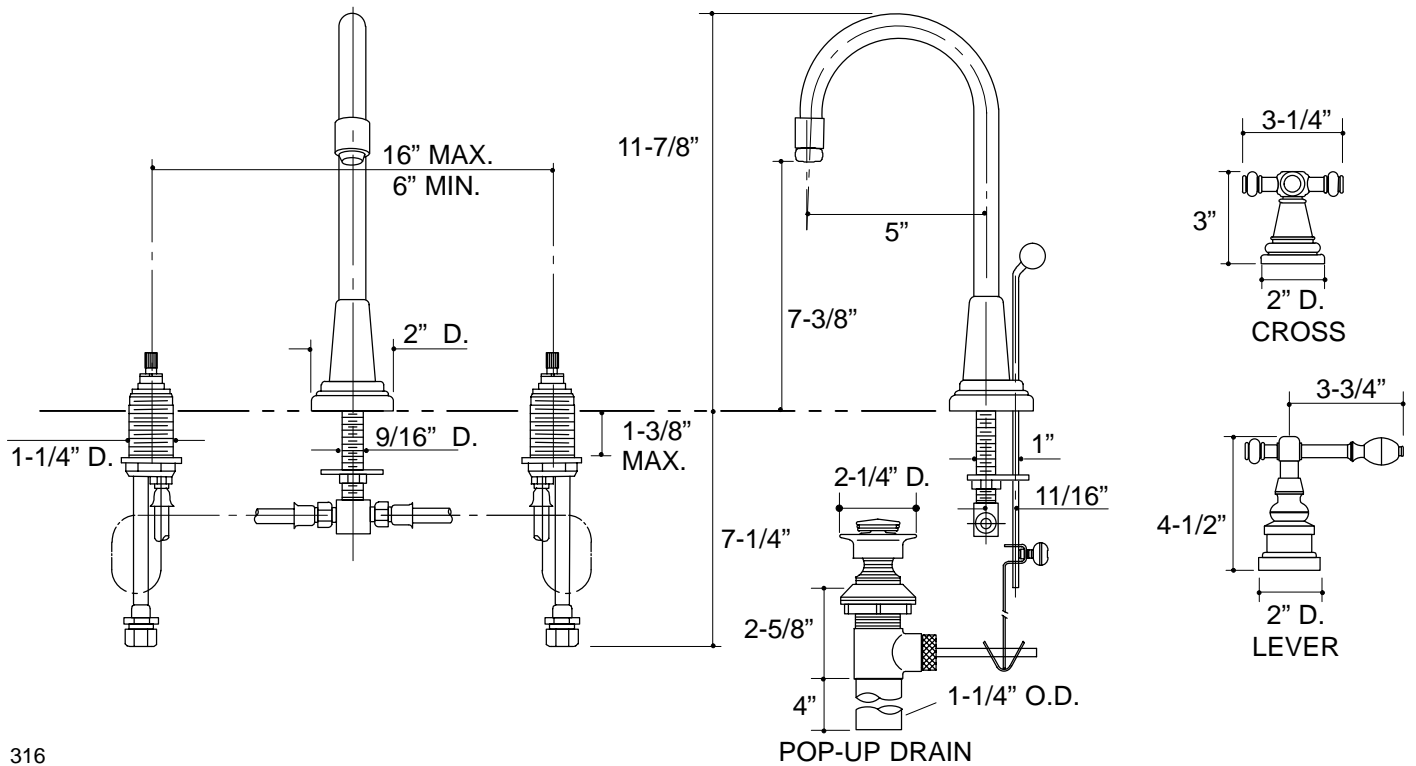


Ordering Information

Applicable faucet:	
With cross handles	K-6813-3
With lever handles	K-6813-4
ADA Lever and cross handles are ADA compliant	



316

K-6813 IV Georges Brass[™] Lavatory Faucet
110403-1-AA (9619)

KOHLER[®]

NOTES: