

Ordering Information

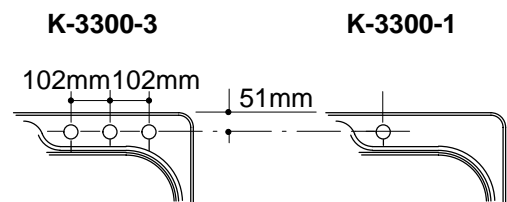
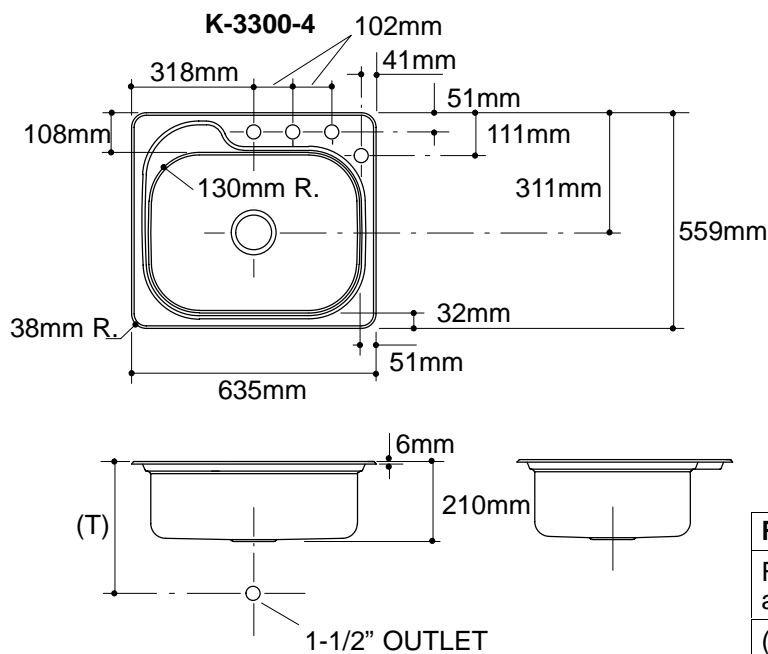
| | | |
|---------------------|----------|-----------|
| Applicable product: | | |
| Four-hole sink | K-3300-4 | shown |
| Three-hole sink | K-3300-3 | not shown |
| One-hole sink | K-3300-1 | not shown |

Product Information

| | | | |
|---|-------|-------------|-------------|
| Fixture*: | | basin area | water depth |
| Sink | | 533 x 406mm | 184mm |
| Outlet | Ø92mm | | |
| Faucet holes | Ø37mm | | |
| * Approximate measurements for comparison only. | | | |

Installation Notes

Refer to installation instructions included with fixture before beginning installation.



Roughing-In Notes

Fixture dimensions are nominal and conform to tolerances in ASME/ANSI Standard A112.19.3M.

(T) Drain typically 343mm.

Cutout 622 x 546mm with 38mm radius corners.