

Ordering Information

Accessories/hardware:		
Hardwood cutting board	K-3278	optional
Colander	K-3291	optional

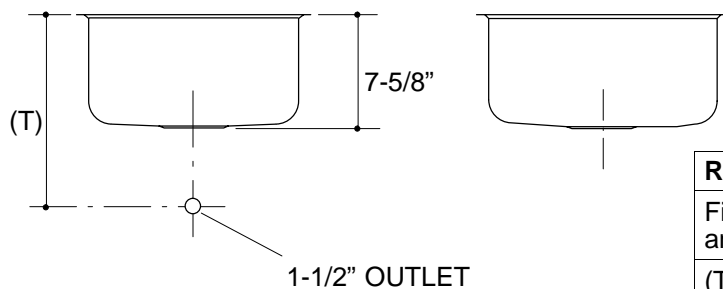
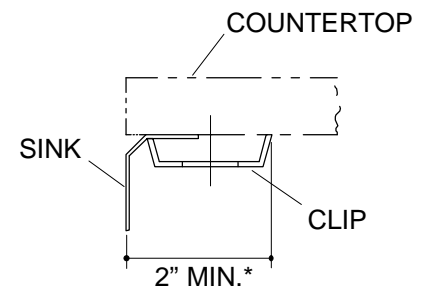
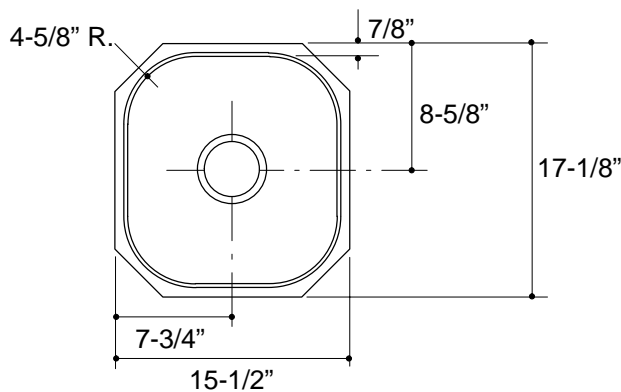
Product Information

Fixture*:		basin area	water depth
Sink		14" x 15"	7-1/2"
Outlet	3-5/8" D.		
* Approximate measurements for comparison only.			

Included Components:	
Hardware kit	91915
Cutout template	113197

Installation Notes

Refer to installation instructions included with fixture before beginning installation.



Roughing-In Notes
Fixture dimensions are nominal and conform to tolerances in ASME/ANSI Standard A112.19.3M.
(T) Drain typically 13".
*Allow clearance around sink rim for clip attachment.

1.25>116