

**Ordering Information**

Applicable product:	
3-way diverter valve	K-9518

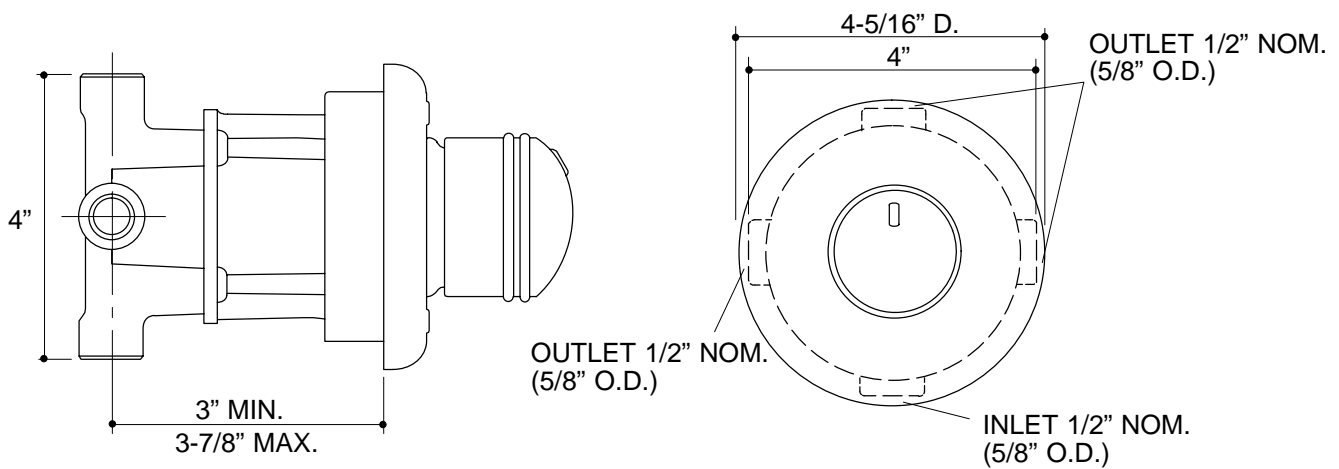
**Installation Notes**

Remove the cartridge sleeve and stem assembly before soldering. Excessive heat will damage the components.

A mixed supply is required. If less than three accessories will be connected to the diverter, provide caps for the unused ports.

Refer to installation instructions included with fixture before beginning installation.

<b>Roughing-In Notes</b>
When roughing-in with thin facing, leave plaster shield on to add stability. Do not remove the plaster shield from the valve until instructed to do so.
For proper handle fit, finished wall must align within depth (front to back) of installed plaster guard. Roughing-in depth min. = 3", max. = 3-7/8".



38