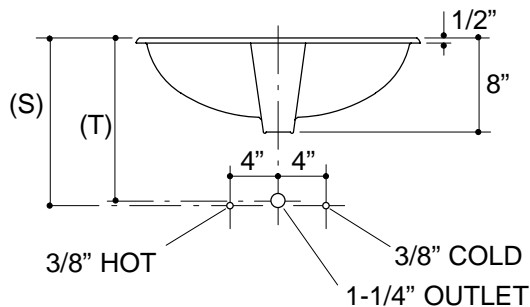
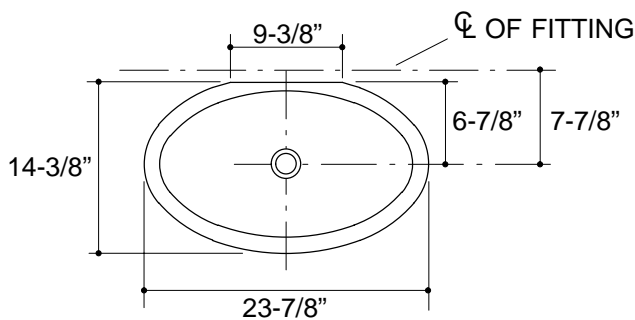


### Product Information

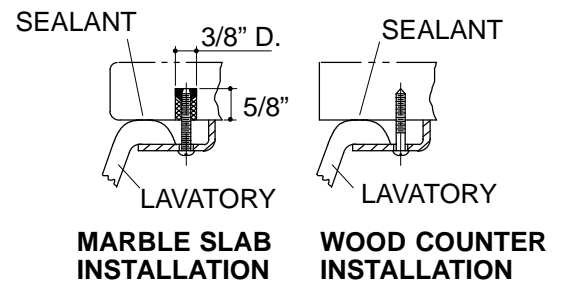
Fixture*:		basin area	water depth
Lavatory		21" x 12"	4-7/8"
Outlet	1-3/4" D.		

\* Approximate measurements for comparison only.

Included Components:	
Basin clamp assembly	52047
Adjustable linkage	40372
Adhesive sealant	63034
Cutout template	112603-7



1.15>116



NOTE: WATERPROOF UNPROTECTED OVERHANG AREA ON THE UNDERSIDE OF WOOD COUNTER.

#### Roughing-In Notes

Fixture dimensions are nominal and conform to tolerances in ASME Standard A112.19.2M.

(T) Pop-up drain 13-5/8".

(S) 14" (Based on 12" riser which may require cutting).

Supplied basin clamp assemblies require 1" minimum countertop thickness. Installer must supply anchors for thinner countertops.