

Ordering Information

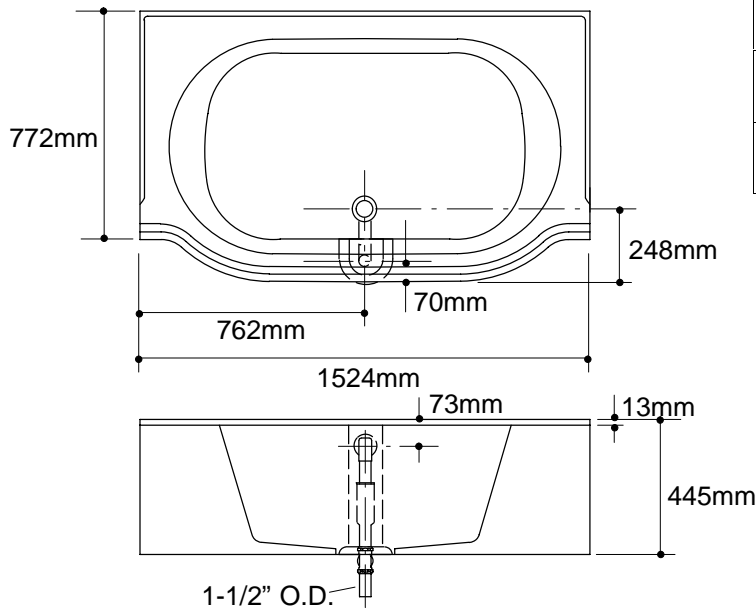
Accessories/hardware:		
Drain	K-7161-AF	optional
Shroud and base	K-8740	optional
Decorative drain	K-7178	optional

Product Information

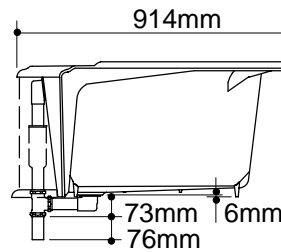
Fixture*:	basin area	top area	weight
Bathing well	1118 x 559mm	1321 x 737mm	158 Kg.
	water depth	capacity	
To overflow	318mm	220 litres	
* Approximate measurements for comparison only.			

Installation Notes

Refer to installation instructions included with fixture before beginning installation.



Roughing-In Notes
Fixture dimensions are nominal and conform to tolerances in ANSI Standard A112.19.1M.
No change in measurements if connected with drain illustrated.
For optional drain shroud, the finished floor thickness cannot exceed 29mm. Shim bath if necessary.



1.25>132