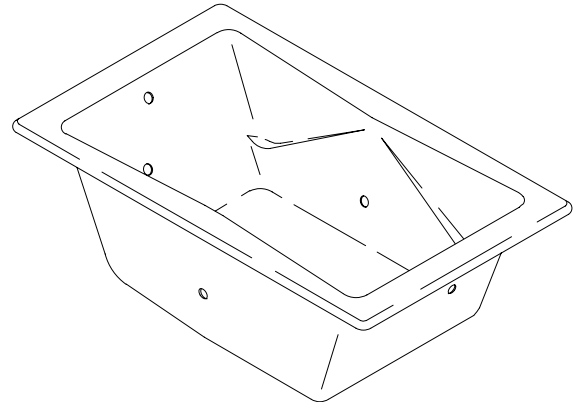


## FEATURES

- 60" x 36" x 21"
- Acrylic
- System II - 1 hp 2 speed pump with integral heater & electronic switch
- 4 Flexjets
- UL Listed
- LESS ALL TRIM
- Optional K-1393 front apron
- Pump is supplied with a grounding-type plug in cord



## CODES/STANDARDS APPLICABLE

Specified model meets or exceeds the following:

- ANSI Z124.1
- ASME/ANSI A112.19.7M
- IAPMO/UPC
- Underwriters Laboratories (UL)
- State of Massachusetts
- Dade County, Florida
- City of Los Angeles, CA

## COLORS/FINISHES

- 0 White
- Other Refer to Fixtures Price Book for additional colors

### Accessories:

- CP Polished Chrome
- PB Polished Brass
- Other Refer to Faucets Price Book for additional finishes
- NA None Applicable

## SPECIFIED MODEL:

Model	Description	Colors/Finishes		
K-1392-H	Bath whirlpool	<input type="checkbox"/> 0 White	<input type="checkbox"/> Other_____	
<b>Required Accessories</b>				
K-9694	Jet trim kit	<input type="checkbox"/> CP	<input type="checkbox"/> PB	<input type="checkbox"/> Other_____
<b>Recommended Accessories</b>				
K-7169-AF	Drain	<input type="checkbox"/> CP	<input type="checkbox"/> PB	<input type="checkbox"/> Other_____
<b>Optional Accessories</b>				
K-1393	Apron (removable)	<input type="checkbox"/> 0 White	<input type="checkbox"/> Other_____	
K-1177	Vinyl tiling-in bead (use when wall material contacts any top surface of bath)	<input type="checkbox"/> NA		

## PRODUCT SPECIFICATION:

The bath whirlpool shall be 60" in length, 36" in width, and 21" in height. Bath whirlpool shall be made of acrylic. Bath whirlpool shall have System II, with 4 Flexjets, 1 hp 2-speed pump with integral heater, and electronic switch. Bath whirlpool shall be UL listed. Bath whirlpool shall be less all trim. Bath whirlpool shall have an optional K-1393 front apron. Bath whirlpool pump shall be supplied with a grounding-type plug-in cord. Bath whirlpool shall be Kohler Model K-1392-H-\_\_\_\_\_.

# REPARTEE™

## REQUIRED ELECTRICAL SERVICE

Dedicated circuits required, protected with Class A Ground-Fault Circuit-Interrupter (GFCI):

Pump/control	120 V., 20 A, 60 Hz
--------------	---------------------

## PRODUCT INFORMATION

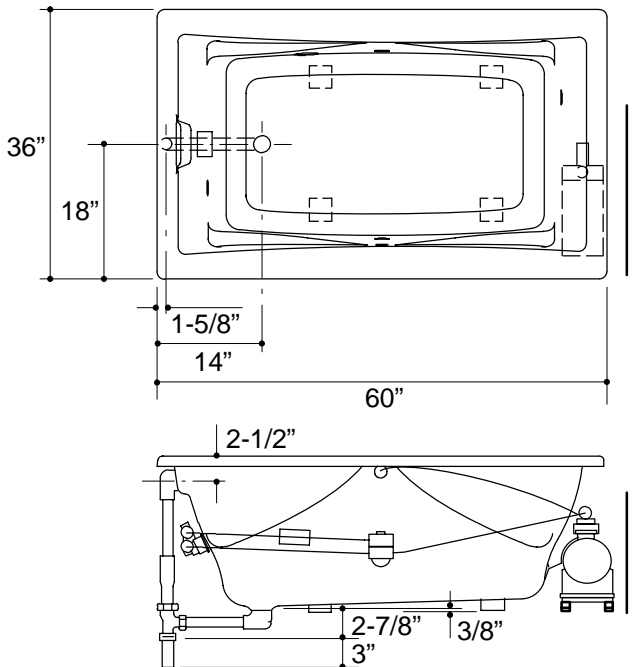
Fixture*:	basin area	top area	weight
Bathing well	42-3/4" x 24-1/4"	54-1/2" x 27-1/4"	107 lbs.
	water depth	capacity	
To overflow	16-1/4"	86 gal.	

\* Approximate measurements for comparison only.

Pump	high HP	low HP	V	Hz	A
2-speed	1	1/8	120	60	16.5

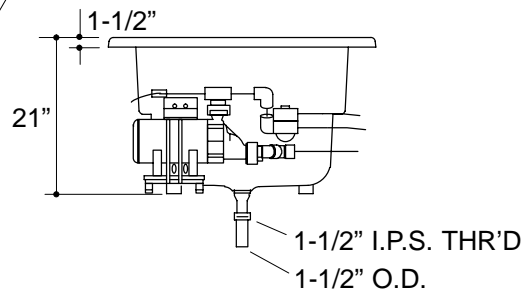
## INSTALLATION NOTES

Each pump is supplied with a grounding type plug-in cord. Locate the outlet behind the whirlpool, and within 24" of the pump.



Roughing-In Notes		
No change in measurements if connected with drain illustrated.		
Cut-out	58-1/2" x 34-1/2"	
Minimum access panel:		
Pump/control	20" W x 15" H	required

### PUMP/CONTROL ACCESS



1.25>132

## PRODUCT DIAGRAM