

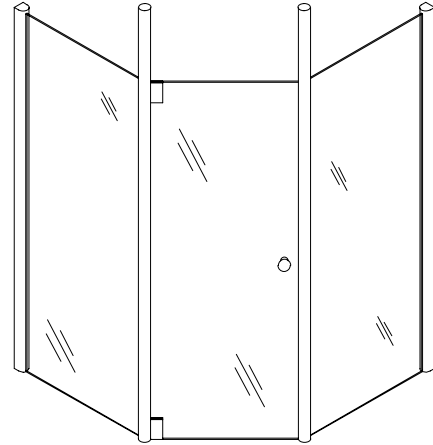
#### FEATURES

- 50" x 50" x 72" H
- 10' aluminum support posts
- 3/8" glass door panel
- 1/4" clear tempered glass filler panels
- Two color-matched towel bars (with colored posts only)
- Includes wall jambs and hardware

#### CODES/STANDARDS APPLICABLE

Specified model meets or exceeds the following:

- ANSI Z97.1 (tempered glass)



#### COLORS/FINISHES

- 0 White
- Other Refer to Fixtures Price Book for additional colors

#### Accessories:

- 0 White
- Other Refer to Fixtures Price Book for additional colors

#### SPECIFIED MODEL:

Model	Description	Colors/Finishes	
K-9853	50" x 50" shower enclosure	<input type="checkbox"/> 0 White	<input type="checkbox"/> Other_____
<b>Optional Accessories</b>			
K-1579	Whitecap shower & foot whirlpool	<input type="checkbox"/> 0 White	<input type="checkbox"/> Other_____
K-1587	Whitecap shower receptor	<input type="checkbox"/> 0 White	<input type="checkbox"/> Other_____

#### PRODUCT SPECIFICATION:

The shower enclosure shall be 50" in length, 50" in width, and 72" in height. Shower enclosure shall have 10' aluminum support posts. Shower enclosure shall have 3/8" glass door panel. Shower enclosure shall have 1/4" clear tempered glass filler panels. Shower enclosure shall have two color-matched towel bars (with colored posts only). Shower enclosure shall include wall jambs and hardware. Shower enclosure shall be Kohler Model K-9853-\_\_\_\_\_.

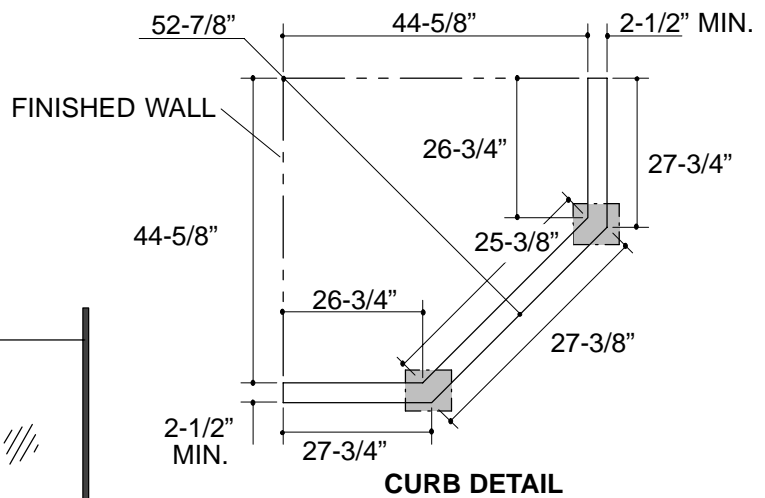
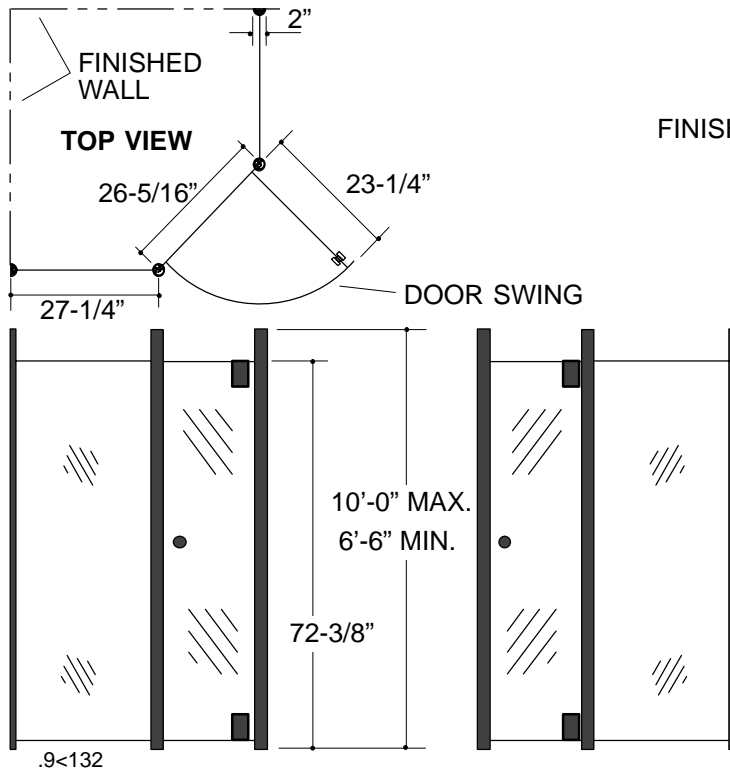
# PROFILE®

## PRODUCT INFORMATION

Fixture:	
Weight	145 lbs.
Glass, tempered safety	clear
Included Components:	
Frames and hardware	K-9868-3
Shower door	K-9868-1
Filler panels	K-9554

## INSTALLATION NOTES

Door can be for either left-hand or right-hand opening. Door shown below is for left-hand opening.



### Roughing-In Notes

	Structural support required in the ceiling above these locations.
<b>Leave studs exposed.</b> Shower enclosure wall jambs must be installed directly to studs.	

## PRODUCT DIAGRAM