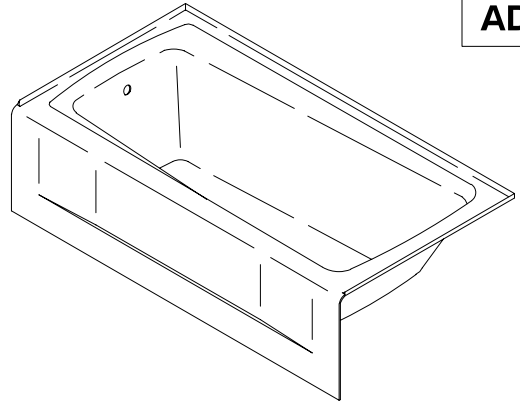


# K-507, K-508

ADA



### FEATURES

- 60" x 32" x 16"
- Cast iron
- 1 hp variable flow pump, integral heater and suction housing
- Outlet at left or right
- UL Listed
- Recirculating pump delivers flows up to 60 gallons per minute of powerful hydro-massage
- Order one Tower, Bath/Footbath, and Enclosure for each complete BodySpa installation

### CODES/STANDARDS APPLICABLE

Specified model meets or exceeds the following:

- ADA
- ASME/ANSI A112.19.1M
- ASME/ANSI A112.19.7M
- CABO/ANSI A117.1
- IAPMO/UPC
- Underwriters Laboratories (UL)

### COLORS/FINISHES

- 0 White
- Other Refer to Fixtures Price Book for additional colors

#### Accessories:

- CP Polished Chrome
- PB Polished Brass
- SH Bright Silver
- BH Bright Brass
- Other Refer to Faucets Price Book for additional finishes

### SPECIFIED MODEL:

Model	Description	Colors/Finishes	
K-507	Bath with outlet at left	<input type="checkbox"/> 0 White	<input type="checkbox"/> Other_____
K-508	Bath with outlet at right	<input type="checkbox"/> 0 White	<input type="checkbox"/> Other_____

Required Accessories			
K-1040-CP	BodySpa 6-Jet Tower (Polished Chrome trim) <b>OR</b> BodySpa 6-Jet Tower (Polished Brass trim)	<input type="checkbox"/> 0 White	<input type="checkbox"/> Other_____
K-1040-PB		<input type="checkbox"/> 0 White	<input type="checkbox"/> Other_____
K-9759-L	Bypass door	<input type="checkbox"/> SH	<input type="checkbox"/> BH
Recommended Accessories			
K-7160-TF	Drain	<input type="checkbox"/> CP	<input type="checkbox"/> PB
K-1097	Coralais Rite-Temp <b>OR</b> Coralais Two-handle	<input type="checkbox"/> CP	<input type="checkbox"/> PB
K-1096		<input type="checkbox"/> CP	<input type="checkbox"/> PB

### PRODUCT SPECIFICATION:

The bath shall be 60" in length, 32" in width, and 16" in height. Bath shall be made of enameled cast iron. Bath shall have 1 hp variable flow pump, integral heater, and suction housing. Bath shall have an outlet at left or right. Bath shall be UL listed. Bath recirculating pump shall deliver flows up to 60 gallons per minute of powerful hydro-massage. Bath shall be configured with BodySpa 6-Jet Tower, and BodySpa Bypass Door. Bath shall be Kohler Model K-\_\_\_\_\_-\_\_\_\_\_.

# BODYSPA MENDOTA™

## REQUIRED ELECTRICAL SERVICE

Dedicated circuit required, protected with Class A Ground-Fault Circuit-Interrupter (GFCI):	
Pump/control	120 V., 20 A, 60 Hz

## PRODUCT INFORMATION

Fixture*:	basin area	top area	weight
Bathing well	43" x 20"	54" x 24"	450 lbs.
	water depth	capacity	
To overflow	10-3/4"	45 gal.**	

\* Approximate measurements for comparison only.

\*\* 36 gallon minimum required for BodySpa operation.

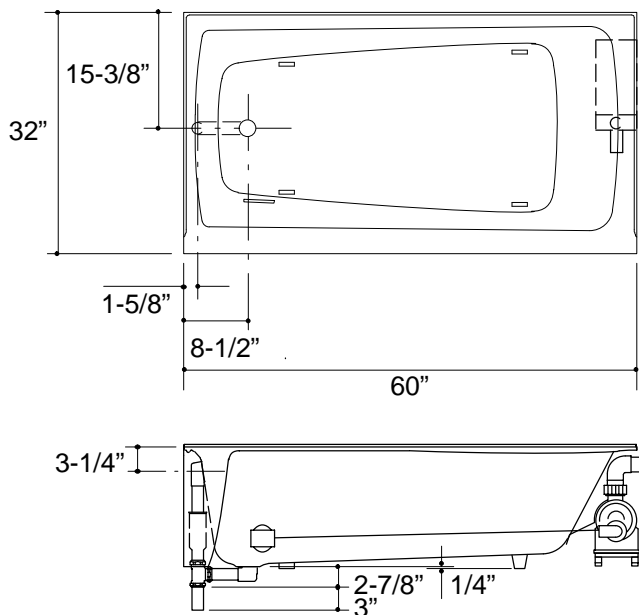
Pump:	HP	V	Hz	A
1-speed	1	120	60	16.5

## INSTALLATION NOTES

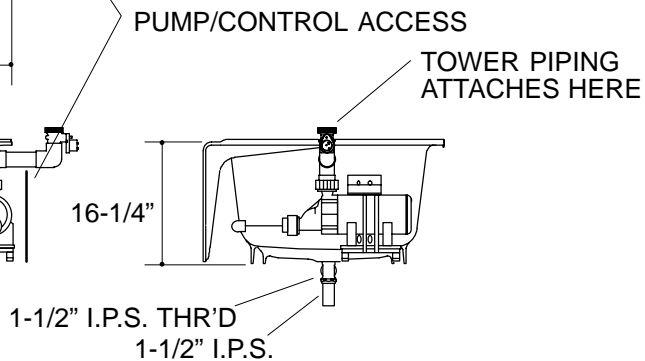
Allow 80-1/4" to 80-3/4" from sub-floor to finished ceiling or header for proper enclosure installation.

Top of unit must be enclosed to retain heat and contain water spray.

Pump is supplied with a grounding type plug-in cord. Locate the outlet behind the whirlpool, and within 24" of the pump.



Roughing-In Notes		
No change in measurements if connected with drain illustrated.		
Minimum access panel:		
Pump/control	20" W x 12" H	required



1.25>132

## PRODUCT DIAGRAM