

Ordering Information

Accessories/hardware:		
Tower	K-1040	required
Door enclosure	K-9759	required
Drain	K-7161-AF	recommended
Grip rails	K-9623	required
Coralais Rite-Temp	K-1097	recommended
Coralais Two-handle	K-1096	

Required Electrical Service

Dedicated circuit required, protected with Class A Ground-Fault Circuit-Interrupter (GFCI):	
Pump/control	120 V., 20 A, 60 Hz

Product Information

Fixture*:	basin area	top area	weight	
Bathing well	1092 x 483mm	1372 x 762mm	186 Kg.	
	water depth	capacity		
To overflow	381mm	235 litres**		
*Approximate measurements for comparison only. **151 litre minimum required for BodySpa operation.				
Pump:	HP	V	Hz	A
1-speed	1	120	60	16.5

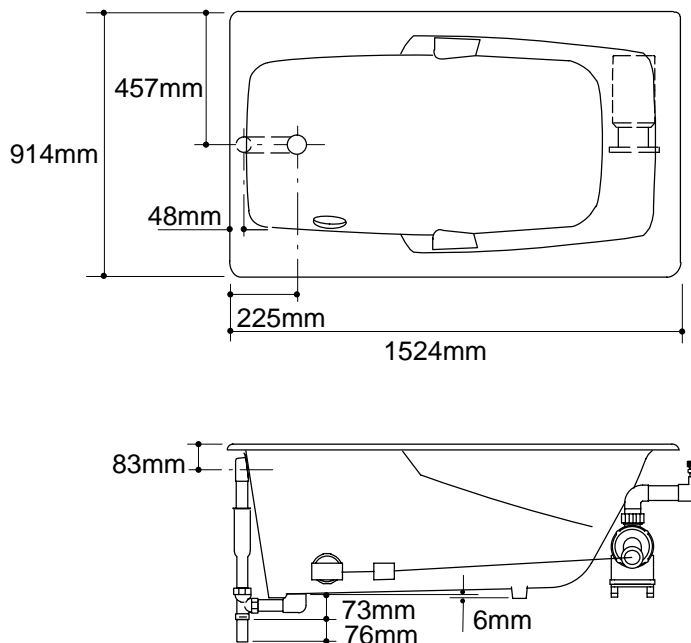
Installation Notes

Refer to installation instructions included with fixture before beginning installation.

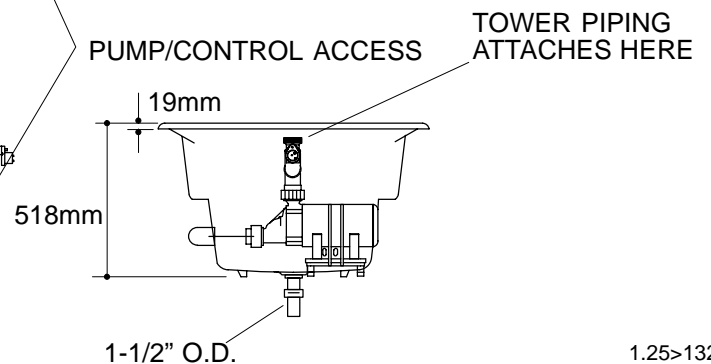
Allow 2143mm to 2156mm from sub-floor to finished ceiling or header for proper enclosure installation.

Top of unit must be enclosed to retain heat and contain water spray.

Pump is supplied with a grounding type plug-in cord. Locate the outlet behind the bath, and within 610mm of the pump.



Fixture dimensions are nominal and conform to tolerances in ANSI Standard A112.19.1.		
No change in measurements if connected with drain illustrated.		
Cut-out	1486 x 876mm	
Minimum access panel:		
Pump/control	508mm W x 305mm H panel	required



1.25>132