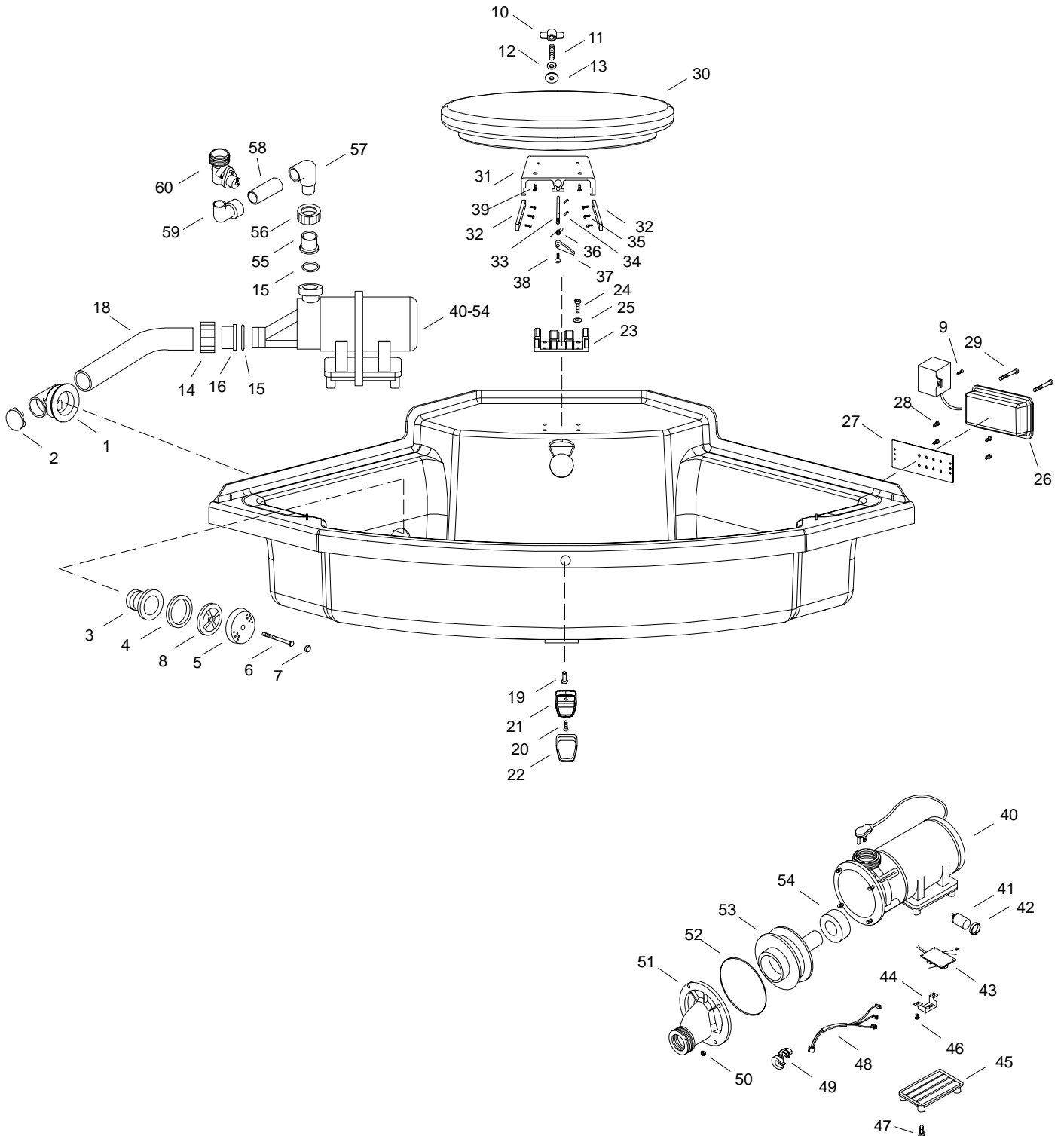


KOHLER® SERVICE PARTS

CORNER FOOTBATH

K#	Pump	w/Heater	With Seat
K-1005-**-AA	73572	In Pump	Yes
K-1025-**-AA	73829	In Pump	N/A



****Finish/color code must be specified when ordering.**

SERVICE PARTS

ITEM	PART NO.	DESCRIPTION
1	93685	Housing
2	73518	Plug
3	65036	Flange
4	65886	Gasket
5	67999	Cover
6	65054	Screw
7	65226	Plug
8	65355	Spacer
9	93841	Screw
10	94674	Thumb Screw
11	94673	Screw
12	32572	Washer
13	52878	Washer
14	60979-A	Slip Nut
15	94821	O-Ring
16	93709	Connector
17	61213	Elbow
18		Available in Service Kit Only
19	90554	Well Nut
20	90555	Screw
21	94825	Back Stop
22	94826	Cap
23	94502	Bracket
24	94673	Screw
25	52680	Washer
26	94486	Auxiliary Control
27	94269	Mounting Plate
28	93841	Screw
29	94405	Screw
30	94494	Seat
31	94501	Frame
32	94504	Slide
33	94503	Rod
34	94506	Pin
35	94822-A	Screw
36	94505	Spring
37	34064	Lever Handle
38	33357	Screw
39	94822-D	Screw
40	73573	Motor
41	93820	Capacitor
42	94062	Spacer
43	73580	Circuit Board
44	74705	Barrier
45	73569	Base
46	21998	Screw
47	94812	Screw
48	94285	Interconnect Cord
49	94287	Bushing
50	73559	Nut
51	73575	Cover
52	73558	O-Ring
53	73577	Impeller
54	60985	Shaft Seal
55	60848	Connector
56	60979	Slip Nut
57	60714	Elbow
58		Available in Service Kit Only
59	60559	Elbow
60	94491	Valve Assy

SERVICE KITS

PART NO.	ITEM	QTY.	DESCRIPTION
94853			1 1/2" Tube Kit
	18	1 ea.	Tube
		2 ea.	Coupling
73572			Pump
	40	1 ea.	Motor
	41	1 ea.	Capacitor
	42	1 ea.	Spacer
	43	1 ea.	Circuit Board
	44	1 ea.	Barrier
	45	1 ea.	Base
	46	4 ea.	Screw
	47	4 ea.	Screw
	48	1 ea.	Interconnect Cord
	49	1 ea.	Bushing
	50	4 ea.	Nut
	51	1 ea.	Cover
	52	1 ea.	O-Ring
	53	1 ea.	Impeller
	54	1 ea.	Shaft Seal
93829			Pump (w/Integral Heater)
	40	1 ea.	Motor
	41	1 ea.	Capacitor
	42	1 ea.	Spacer
	43	1 ea.	Circuit Board
	44	1 ea.	Barrier
	45	1 ea.	Base
	46	4 ea.	Screw
	47	4 ea.	Screw
	50	4 ea.	Nut
	51	1 ea.	Cover
	52	1 ea.	O-Ring
	53	1 ea.	Impeller
	54	1 ea.	Shaft Seal
93839			1 1/4" Tube Kit
	58	1 ea.	Tube
		2 ea.	Coupling

**Finish/color code must be specified when ordering.