

FEATURES

- Brass construction
- Compression valve
- Four-arm handle stop

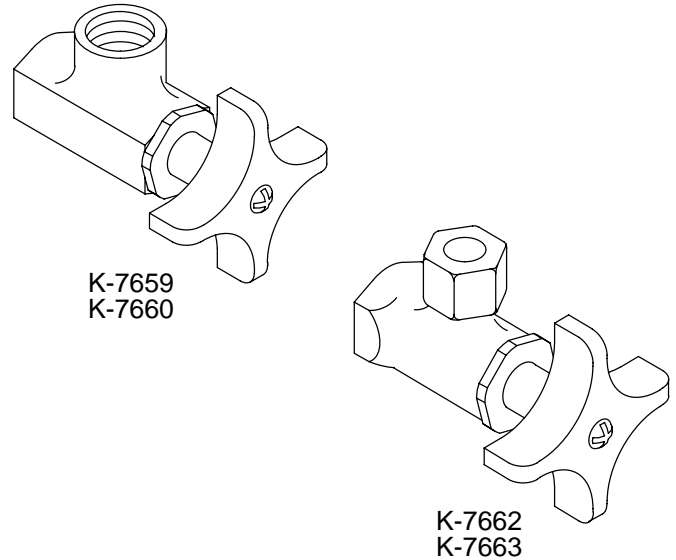
CODES/STANDARDS APPLICABLE

Specified model meets or exceeds the following:

- ASME/ANSI A112.18.1M
- IAPMO/UPC
- NSF 61

**ANGLE STOP
K-7659**

ALSO K-7660, K-7662, K-7663



COLORS/FINISHES

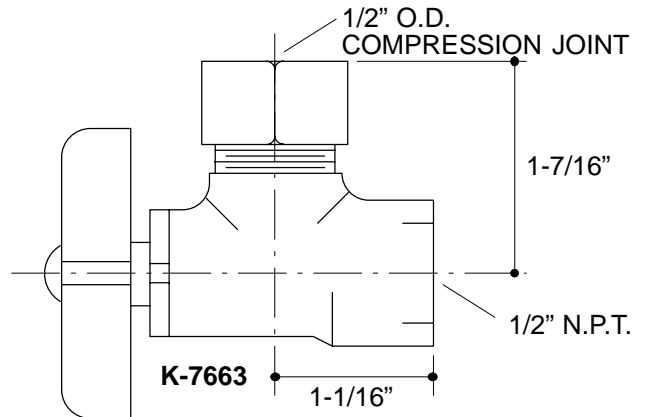
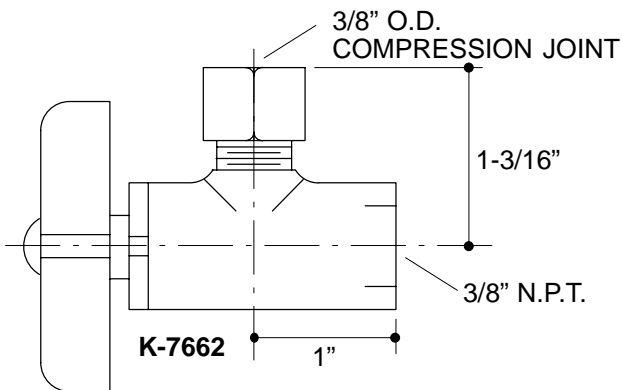
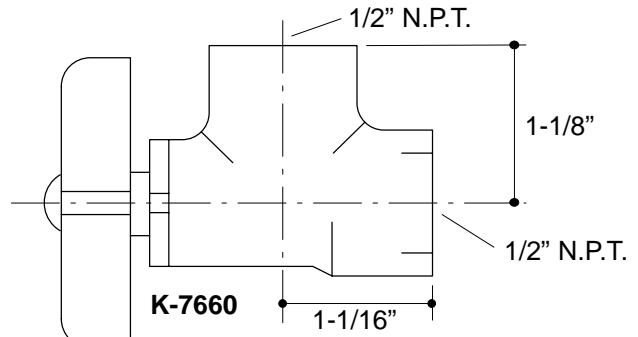
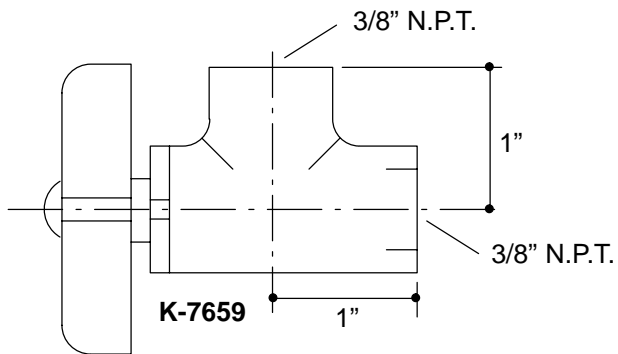
- CP Polished Chrome

SPECIFIED MODEL:

Model	Description	
K-7659	3/8" N.P.T. Connection	<input type="checkbox"/> CP
K-7660	1/2" N.P.T. Connection	<input type="checkbox"/> CP
K-7662	3/8" N.P.T. Connection and Compression Fitting For Flexible Riser	<input type="checkbox"/> CP
K-7663	1/2" N.P.T. Connection and Compression Fitting For Flexible Riser	<input type="checkbox"/> CP

PRODUCT SPECIFICATION:

Angle stop shall be of brass construction. Product shall include a compression valve, and four-arm handle stop. Optional feature shall be a compression fitting for use with a flexible riser. Stop (single) shall be Kohler Model K-_____-_____-_____.
K-_____-_____-_____.



12

PRODUCT DIAGRAM