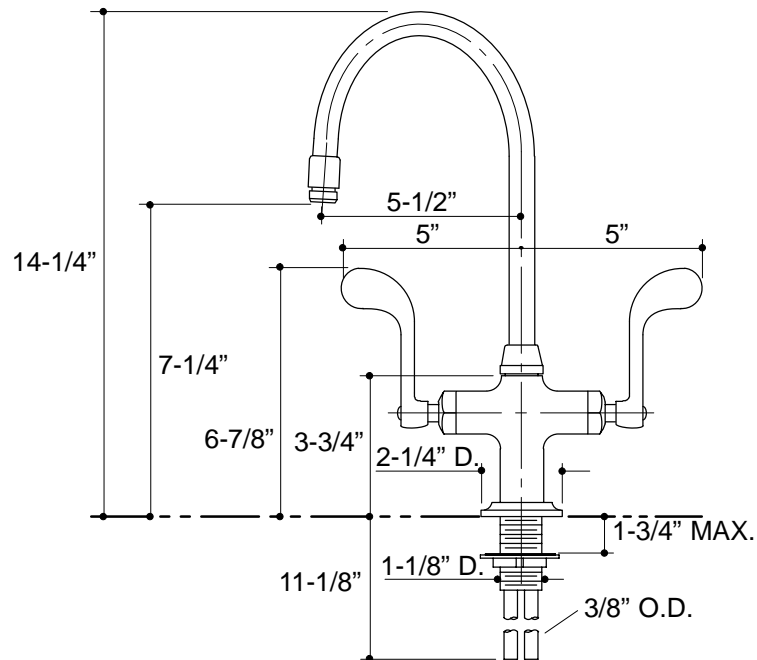


## Ordering Information

|  |        |
|--|--------|
| Applicable faucet:                         |        |
| Bar sink faucet                            | K-8761 |
| <b>ADA</b> Lever handles are ADA compliant |        |

|  |         |          |
|--|---------|----------|
| Accessories/hardware:                            |         |          |
| 10-1/2" escutcheon plate for three hole drilling | K-14511 | optional |
| 6" escutcheon plate for three hole drilling      | K-14531 | optional |



316

**K-8761** Essex™ Bar Sink Faucet  
115147-1-BA (-)

**KOHLER®**

**NOTES:**