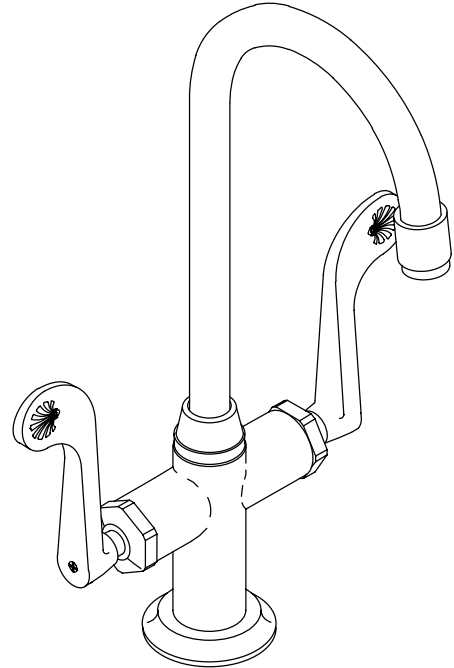


**BAR SINK FAUCET
K-8761**

FEATURES

- Brass construction
- Single-hole mounting
- Brass valve bodies
- Quarter-turn washerless ceramic disc valves
- 5-1/2" gooseneck swing spout
- 2.5 gallons per minute
- Wristblade handles embossed with fleur-de-lis pattern
- Optional escutcheon plate is available for three-hole installations

ADA



CODES/STANDARDS APPLICABLE

Specified model meets or exceeds the following:

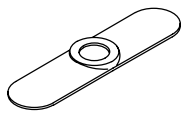
- ASME/ANSI A112.18.1M
- CSA B125
- Energy Policy Act of 1992
- NSF 61

COLORS/FINISHES

- CP Polished Chrome
- PB Polished Brass

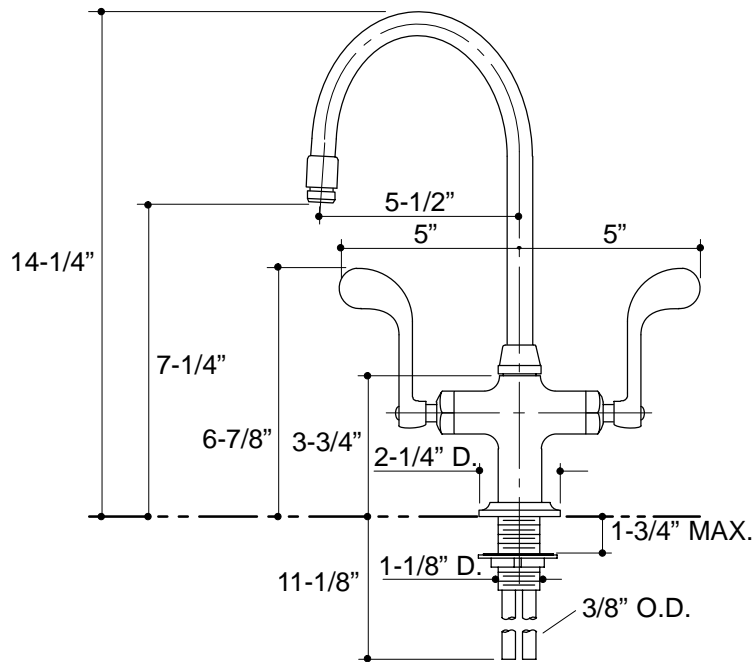
SPECIFIED MODEL:

Model	Description		
K-8761	Essex Bar Sink Faucet	<input type="checkbox"/> CP	<input type="checkbox"/> PB

Optional Accessory			
			
K-14511	10-1/2" Escutcheon Plate for Three-Hole Installations	<input type="checkbox"/> CP	<input type="checkbox"/> PB

PRODUCT SPECIFICATION:

Two-handle bar sink faucet shall be of brass construction. Faucet shall feature brass valve bodies. Faucet shall feature quarter-turn washerless ceramic disc valves, assuring positive handle stop positioning. Product shall include single-hole mounting, 5-1/2" gooseneck swing spout, and wristblade handles. Faucet shall be Kohler Model K-8761-_____.



316

PRODUCT DIAGRAM