

**BATH TRIM KIT
K-9589
ALSO K-9599**

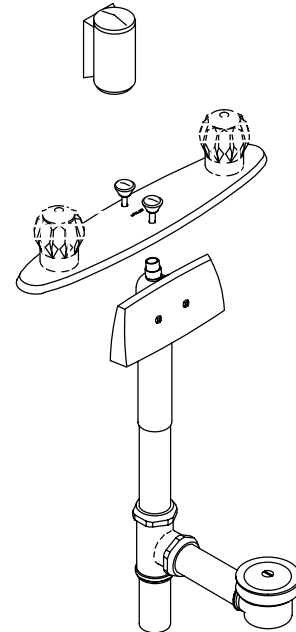
FEATURES

- Brass construction
- For Infinity baths and whirlpools with integral fill
- Shower diverter and drain controls
- Drain and overflow
- Vacuum breaker
- Available with Flair™ sculptured acrylic handles or Alterna™ square handles

CODES/STANDARDS APPLICABLE

Specified model meets or exceeds the following:


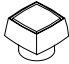
- ASME/ANSI A112.18.1M
- ASSE 1001



COLORS/FINISHES

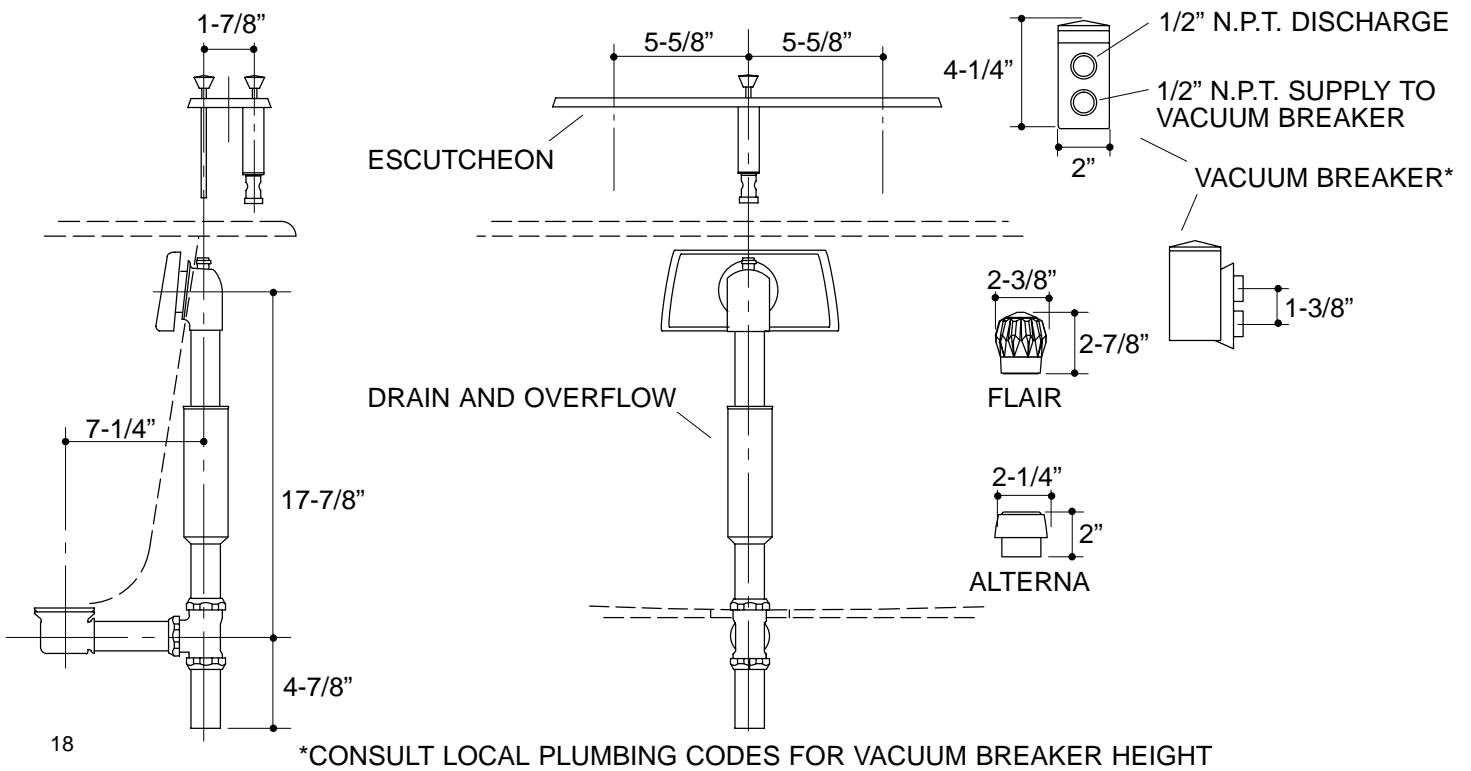
- CP Polished Chrome
- PB Polished Brass
- Other Refer to Faucets Price Book for additional finishes

SPECIFIED MODEL:

Model	Description		
K-9589	With Flair Sculptured Acrylic Handles	<input type="checkbox"/> CP <input type="checkbox"/> PB	
K-9599	With Alterna Square Handles		<input type="checkbox"/> CP <input type="checkbox"/> PB <input type="checkbox"/> Other_____

PRODUCT SPECIFICATION:

Two-handle bath trim kit shall be of brass construction. Product is intended for Infinity baths and whirlpools with integral fill. Product shall include shower diverter control, drain control, escutcheon, brass shroud to conceal filter and overflow, vacuum breaker, and Flair sculptured acrylic handles or Alterna square handles. Product shall be Kohler Model K-_____-_____.



PRODUCT DIAGRAM