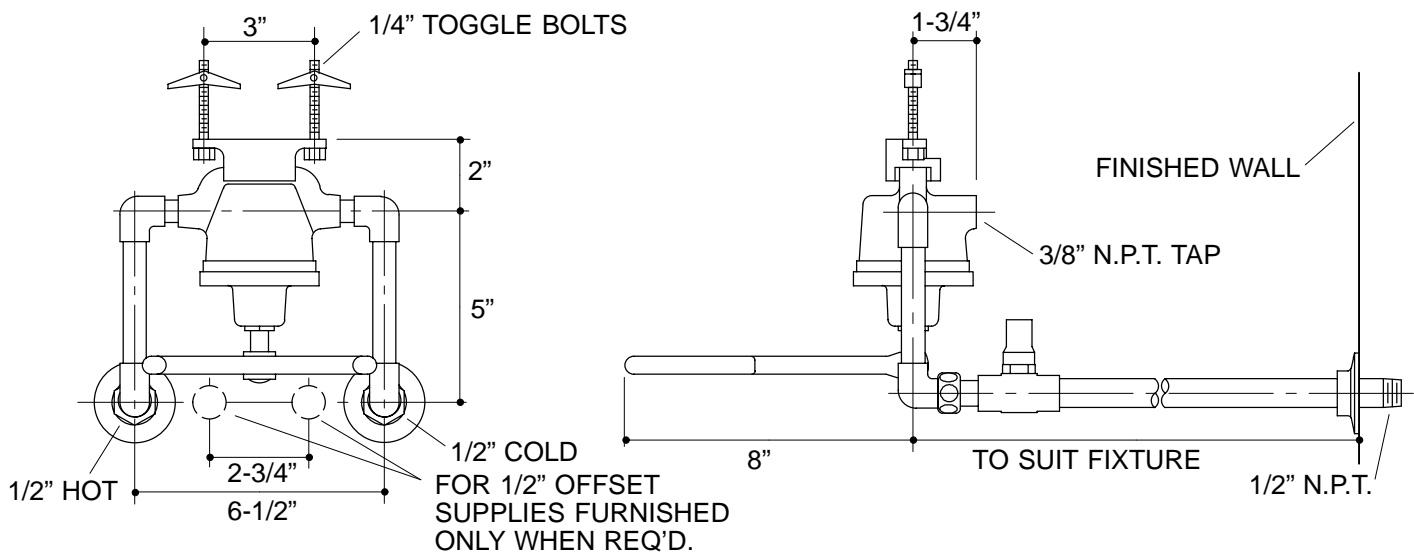


**Ordering Information**

Applicable product:	
Fixture-mount knee control fitting	K-13715



316

**K-13715** Knee Control  
115267-1-AA (9619)

**NOTES:**