

**BUILT-IN BEDPAN WASHER  
K-13938-2A**

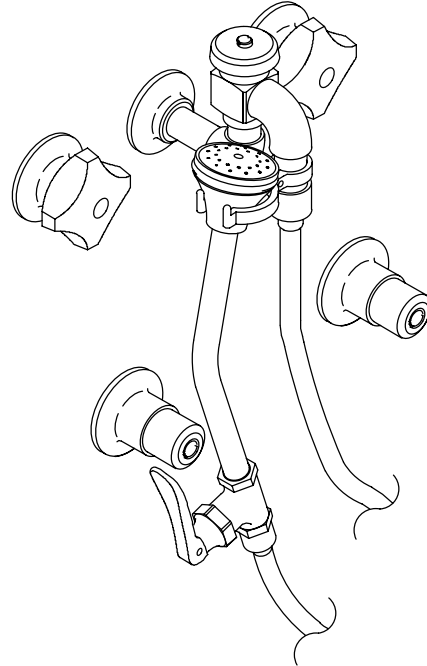
**FEATURES**

- Brass construction
- Brass valve bodies
- Valvet® valves
- Standard handles
- Standard sprayhead
- Vacuum breaker
- Vinyl hose
- Screwdriver check stops
- Self-closing lever control spray and hook

**CODES/STANDARDS APPLICABLE**

Specified model meets or exceeds the following:

- ASME/ANSI A112.18.1M



**COLORS/FINISHES**

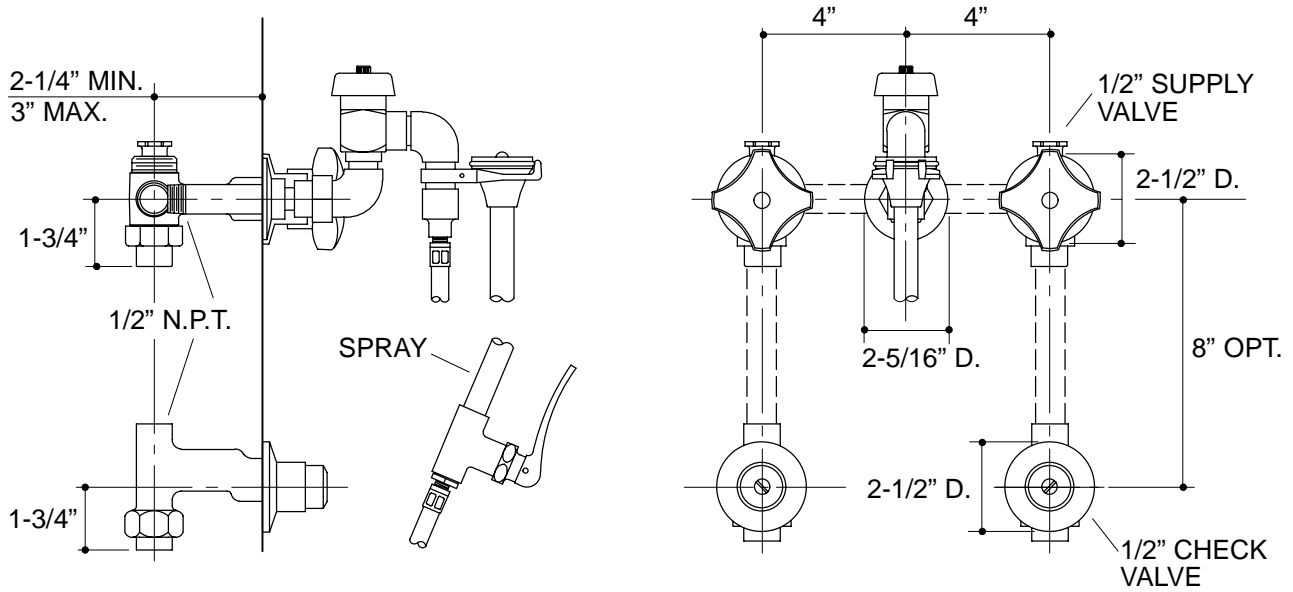
- CP Polished Chrome

**SPECIFIED MODEL:**

| Model      | Description                   |                             |
|------------|-------------------------------|-----------------------------|
| K-13938-2A | Triton Built-In Bedpan Washer | <input type="checkbox"/> CP |

**PRODUCT SPECIFICATION:**

Built-in bedpan washer shall be of brass construction. Faucet shall feature brass valve bodies. Faucet shall also feature Valvet valves. Product shall include standard handles, standard sprayhead, vacuum breaker, vinyl hose, screwdriver check stops, self-closing lever control spray and hook, and internal N.P.T. connections. Faucet shall be Kohler Model K-13938-2A-CP.



\* CONSULT LOCAL CODES FOR VACUUM BREAKER HEIGHT.

**PRODUCT DIAGRAM**