

**BATH AND SHOWER FAUCET  
K-15131  
ALSO K-15133**

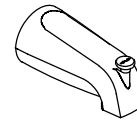
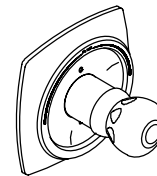
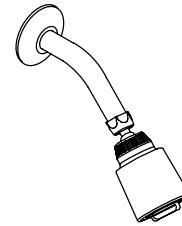
**FEATURES**

- Metal construction
- Brass valve body
- One-piece self-contained valve cartridge allows both volume and temperature control
- Temperature memory allowing faucet to be turned on and off at any temperature setting
- Available with 4-7/8" diverter bath spout with N.P.T. or slip-fit connection
- Sculptured acrylic handle
- Available with or without screwdriver stops

**CODES/STANDARDS APPLICABLE**

Specified model meets or exceeds the following:

- ASME/ANSI A112.18.1M
- CSA B125
- IAPMO/UPC



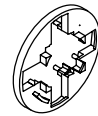
**COLORS/FINISHES**

- CP Polished Chrome
- PB Polished Brass
- Other Refer to Faucets Price Book for additional finishes

**SPECIFIED MODEL:**

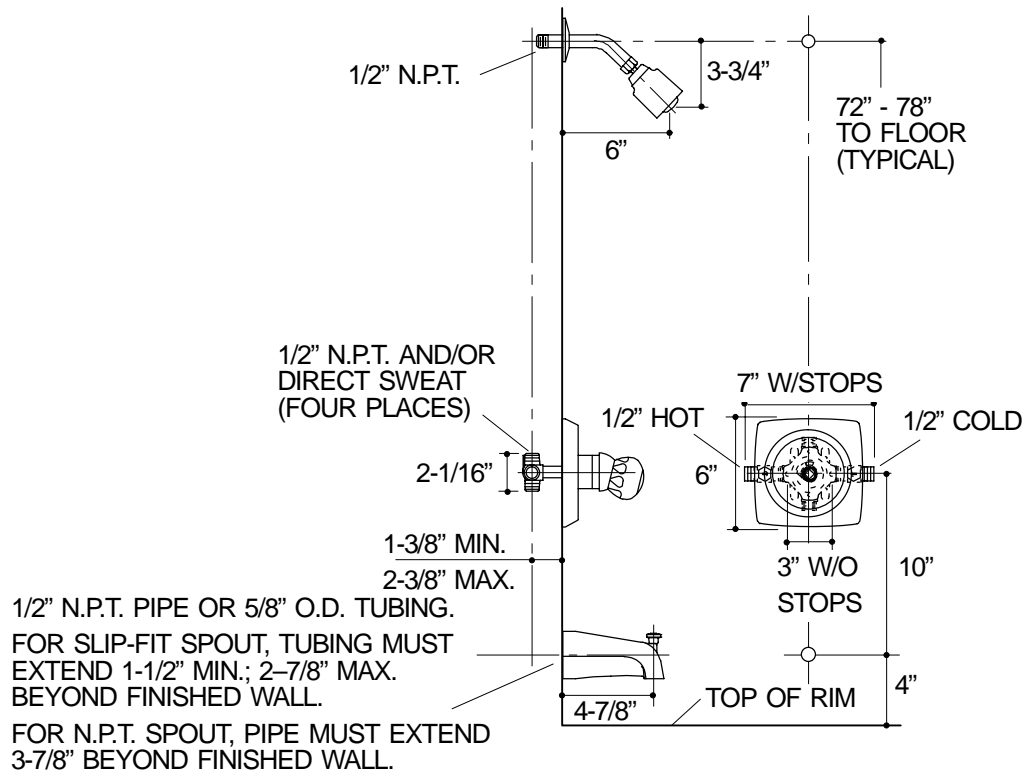
Model	Description			
K-15131	With N.P.T. Diverter Bath Spout, Less Screwdriver Stops	<input type="checkbox"/> CP	<input type="checkbox"/> PB	<input type="checkbox"/> Other_____
K-15131-S	With Slip-Fit Diverter Bath Spout, Less Screwdriver Stops	<input type="checkbox"/> CP		
K-15133	With N.P.T. Diverter Bath Spout, With Screwdriver Stops	<input type="checkbox"/> CP	<input type="checkbox"/> PB	<input type="checkbox"/> Other_____
K-15133-S	With Slip-Fit Diverter Bath Spout, With Screwdriver Stops	<input type="checkbox"/> CP		

Optional Accessory		
K-15145	Fiberglass Installation Plate	<input type="checkbox"/> NA



**PRODUCT SPECIFICATION:**

Non-pressure balancing single-control bath and shower faucet shall be of metal construction. Faucet shall feature a brass valve body. The valve shall be a one-piece, self-contained valve cartridge, and allows both volume and temperature control. The valve shall feature temperature memory, allowing the faucet to be turned on and off at any temperature setting. Product shall include faceplate with sculptured acrylic handle, showerhead with arm and flange, and 4-7/8" diverter bath spout with N.P.T or slip-fit connection. Optional features shall be with or without screwdriver stops. Faucet shall be Kohler Model K-\_\_\_\_\_ - \_\_\_\_\_ - \_\_\_\_\_.



332

## PRODUCT DIAGRAM