

# KOHLER® Roughing-In

## K-12203, K-12204 FREEWILL™ MULTI-PIECE BARRIER FREE ACRYLIC BATH AND SHOWER MODULE

### Ordering Information

Applicable product:		
Right outlet	K-12204	shown
Left outlet	K-12203	not shown
Accessories/hardware:		
Drain	K-7161-AF	recommended
Mastershower™ Handshower	K-9500	recommended*
Revival™ valve trim	K-T16117-4A	recommended
Rite-Temp™ valve	K-304-K	recommended
Bath spout	K-6855	recommended
Dome light	K-1570	optional
Focal bypass bath door <b>OR</b>	K-701026	optional
Forum™ bypass bath door <b>OR</b>	K-703012	
Helios™ bath door <b>OR</b>	K-704010	
Helios™ bath screen	K-704012	
* Dimensions illustrated		

### Product Information

ADA compliant			
Fixture*:	basin area	top area	weight
Bathing well	44" x 23"	51" x 26"	200 lbs.
	water depth	capacity	
To overflow	13"	55 gal.	
Configuration			3-piece
* Approximate measurements for comparison only.			
Drain Outlet			2-1/4" D.

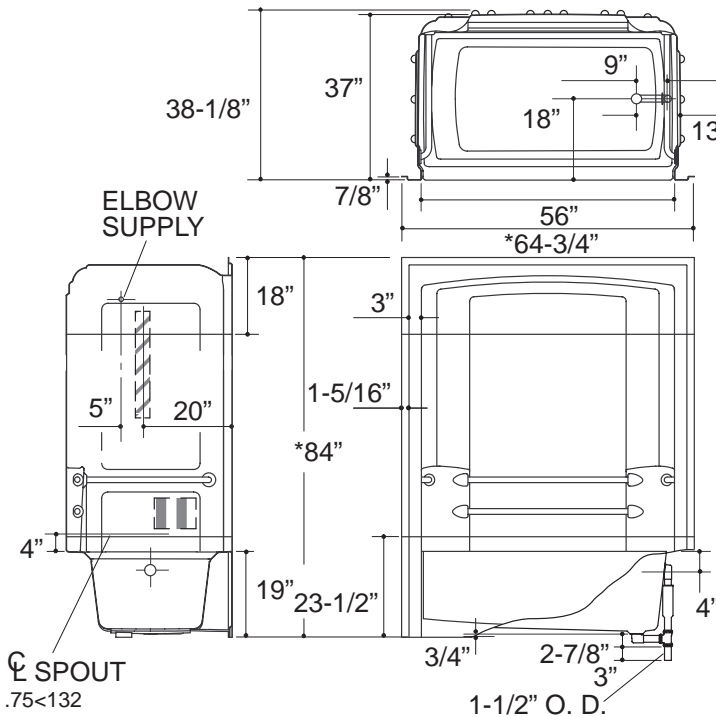
### Installation Notes

Refer to installation instructions included with fixture before beginning installation.

Fixture not drilled for supply fittings.

Shimming may be required to level fixture.

For optimum accessibility, specify faucets and fittings to install and operate within the control area shown.



### Roughing-In Notes

Fixture conforms to ANSI Standard Z124.2. All dimensions are nominal.

\*Recess opening must be 65" x 84-1/4".

No change in measurements if connected with drain illustrated.

Stud opening tolerance (+ 1/4" - 0"). When fire rated wall is specified, dimensions are to the inside of the wall board. Some shimming between stud frame and fixture may be required.

Provide clear floor space per ANSI A117.1, and as shown.

	Represents control area for faucets.
	Represents 24" wall mount slide bar.
	Represents clear floor space for 36" x 60" side entrance.
	Represents clear floor space for 48" x 60" front entrance.

K-12203, K-12204 Freewill™ Multi-Piece Bath and Shower Module  
116013-1-BA (-)

**KOHLER®**